



COMPOSITY

STRUCURE AND STEPS
ASSEMBLING INSTRUCTION

RINTAL




INDEX

1 STRUCTURE

1.1 Check measure	11
2.1 Pre assembly	15
3.1 Assembly	31

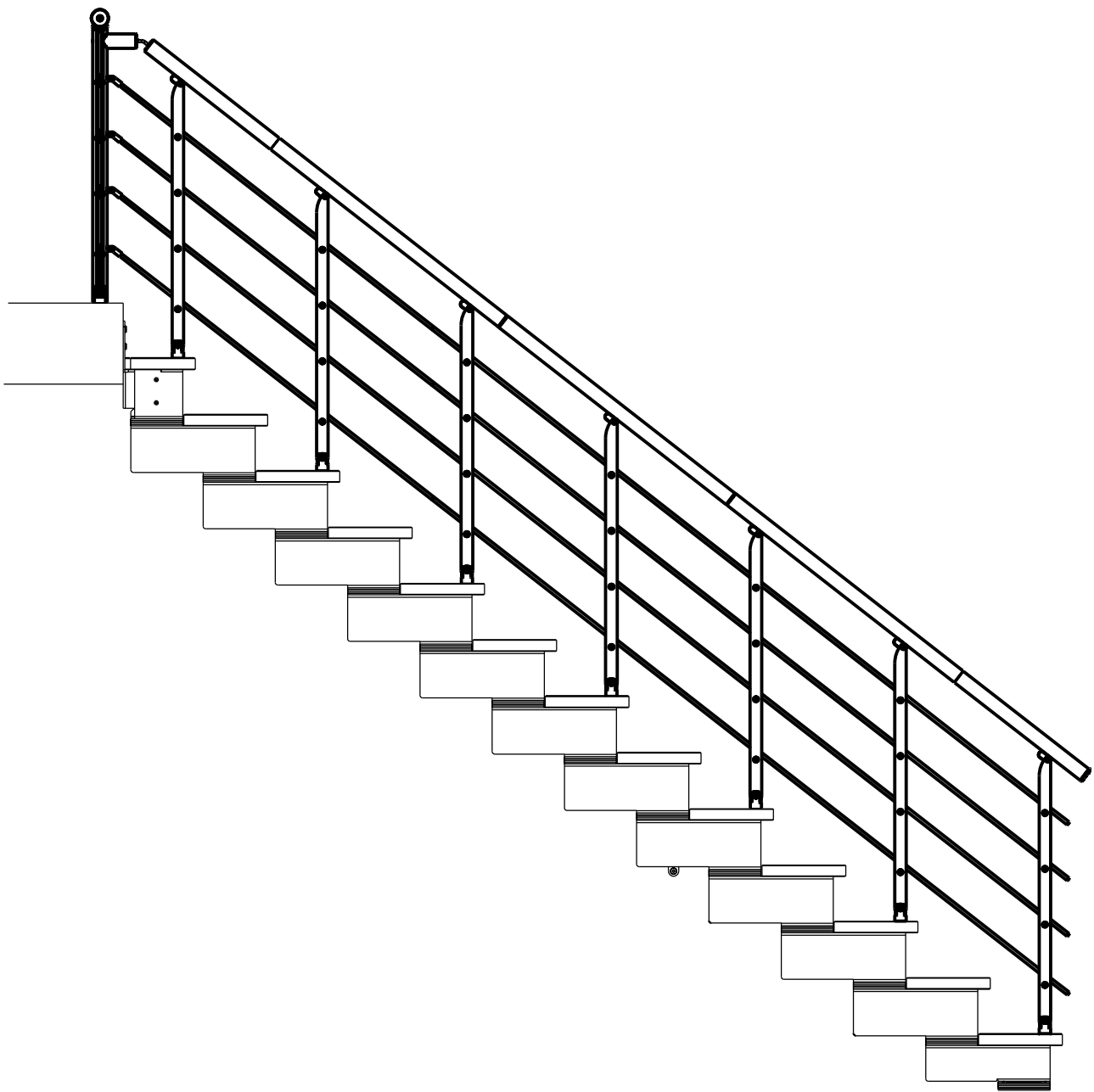


	Composity structure and steps installation manual. Configuration I - L	Code	Rev. 1	Date 29-07-2016
---	---	------	------------------	---------------------------



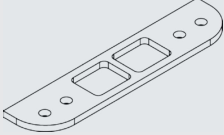
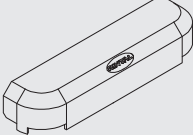
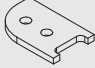


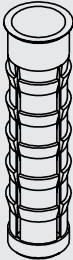

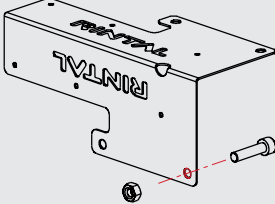
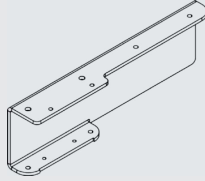
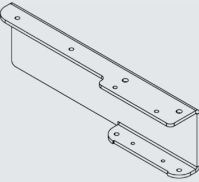
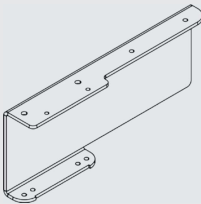
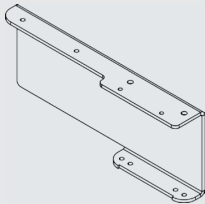
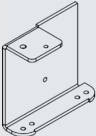
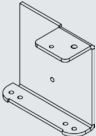
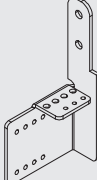
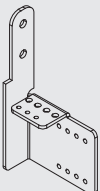
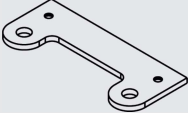
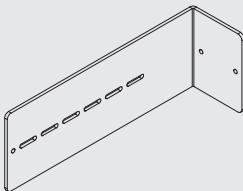


STRUCTURE



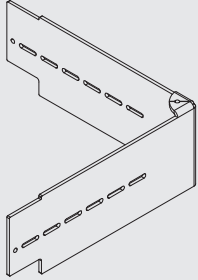
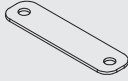
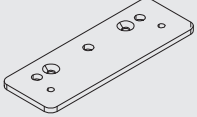
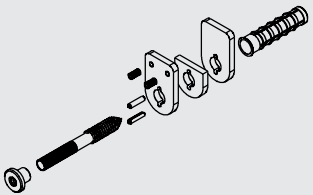
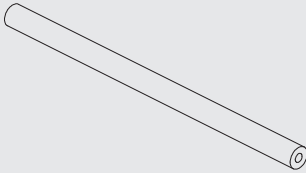
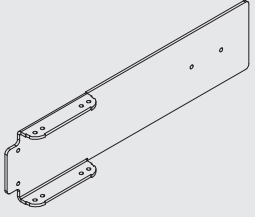
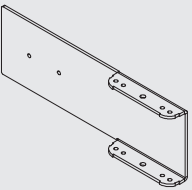
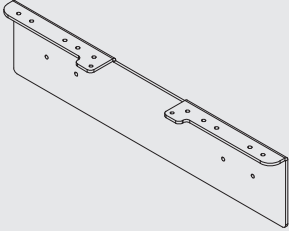
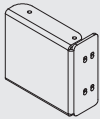
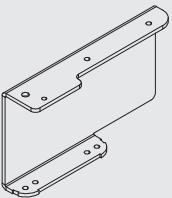
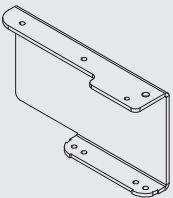
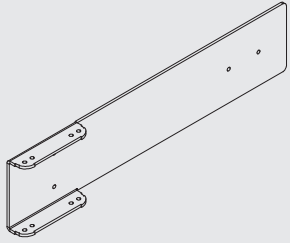
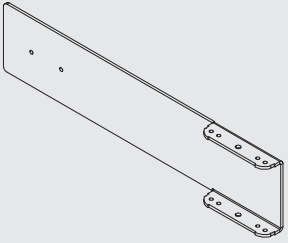
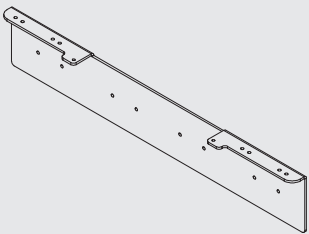
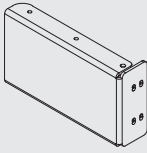
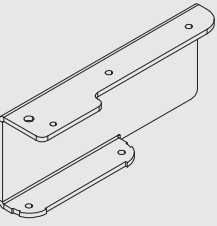
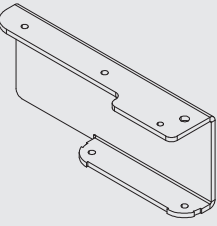
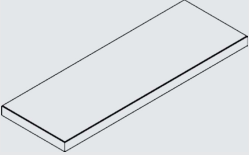


Components

Component	Code	Component	Code	Component	Code
	PC00		PC01		PC02
	PC03		PC04		TN01 14X70
	PL41		DM01		ST01
	ST02		ST03		ST04
	ST05		ST06		ST07
	ST08		ST32		ST31

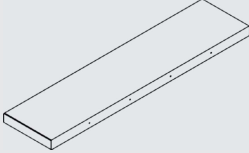
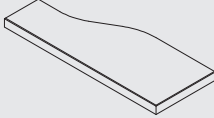
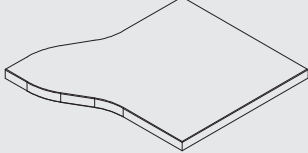
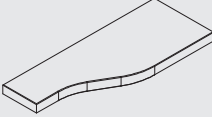
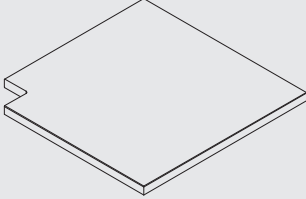
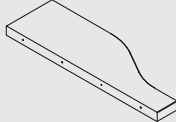
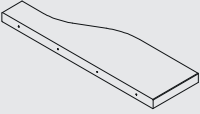
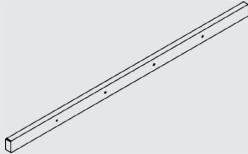
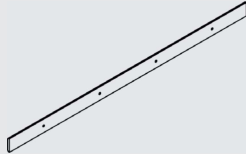







Component	Code	Component	Code	Component	Code
	ST30		ST33		ST34
	FX01		FX02		ST09
	ST10		ST11		ST12
	ST13		ST14		ST15
	ST16		ST17		ST18
	ST19		ST20		GR01




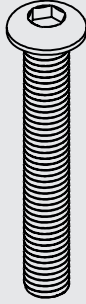
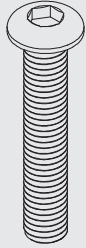


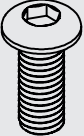
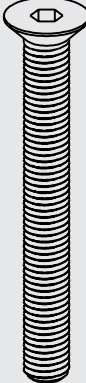
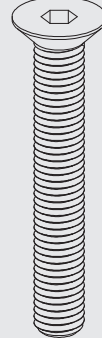
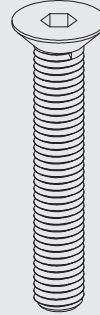








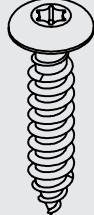





Component	Code	Component	Code	Component	Code
	GR02		GR03		GR04
	GR05		GR06		GR07
	GR08		LS01		LS02
	ST35		ST36		ST37



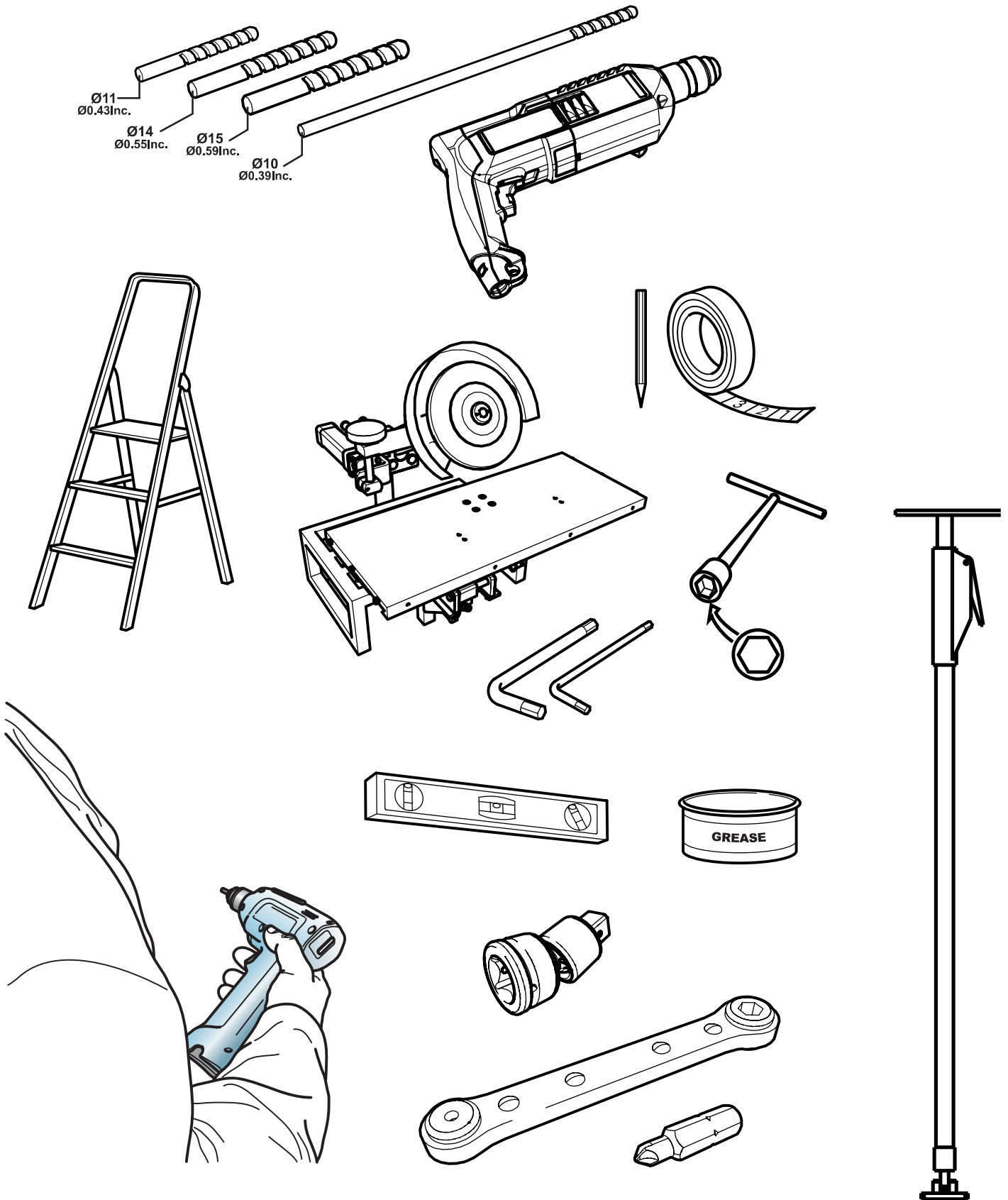


Screws

Component	Code	Component	Code	Component	Code	Component	Code	Component	Code
	BM01 M8X70		BM02 M8X55		BM03 M8X45		BM04 M8X40		BM16 M8X30
	BM05 M8X20		BM06 M8X70		BM07 M8X55		BM13 M8X50		BM08 M8X40
	BM09 M8X20		BM30 M8		BM32 M8		BM33 M0x16		BM34 8x16x1.6
	BM40 M5x6		UN01 4x18		BL01 6X40		BL02 6X60		BL11 10X60
	BL10 10X100								

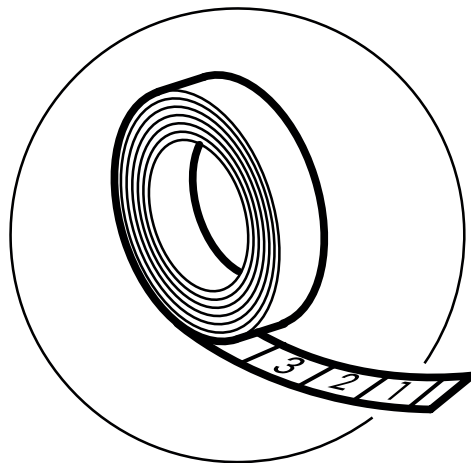


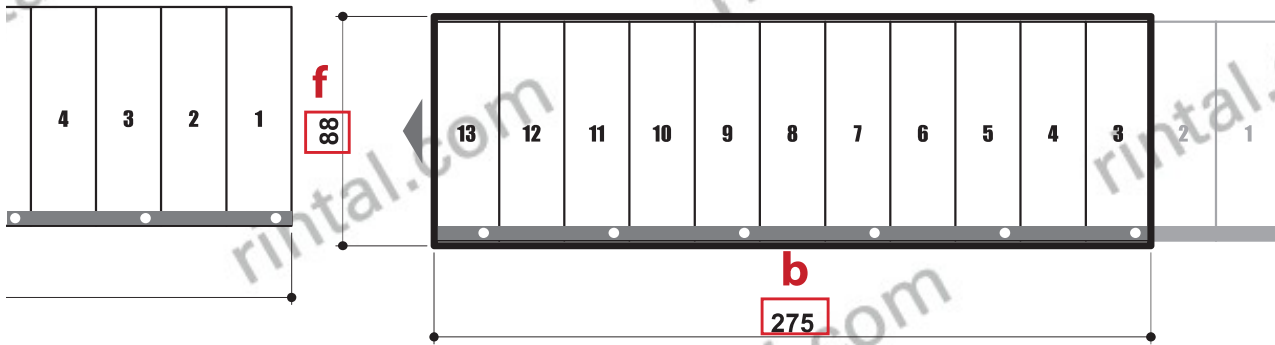
Tools



1.1

CHECK THE MEASURES





file _____

customer _____

order _____

vendor _____

dat _____

room data

e slab thickness **30 cm**
total rise **300 cm** **HT**

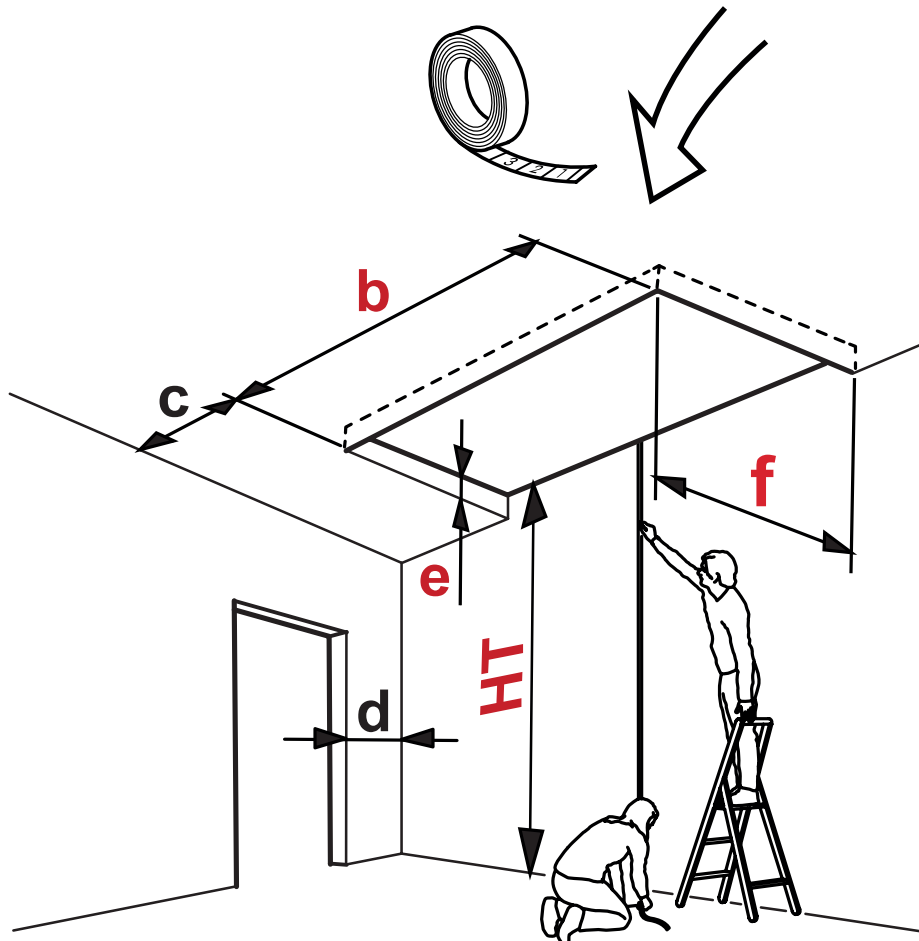
stair data

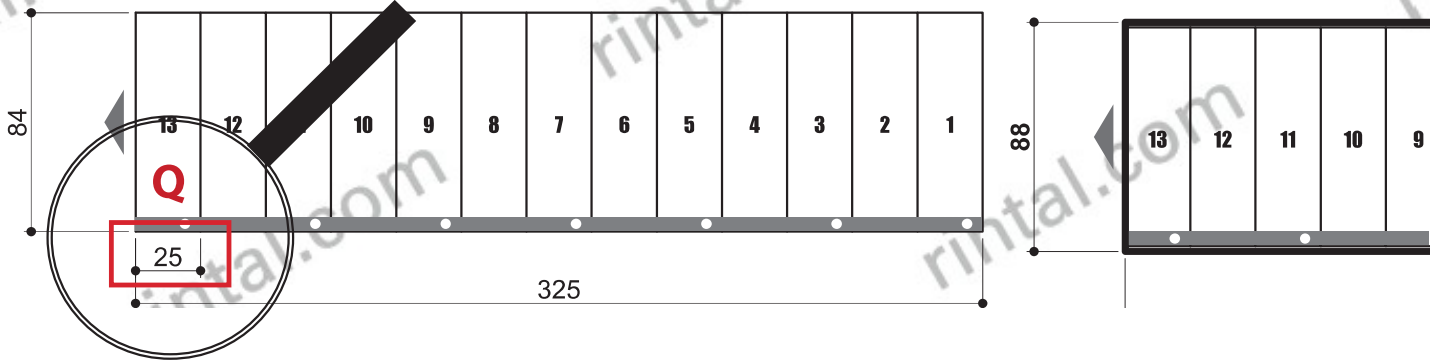
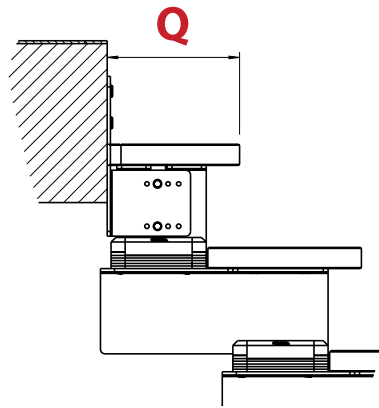
landing type **below floor**
steps **13**
rise **21.4 cm**
going **25.0 cm**
flights width **84 cm**

options

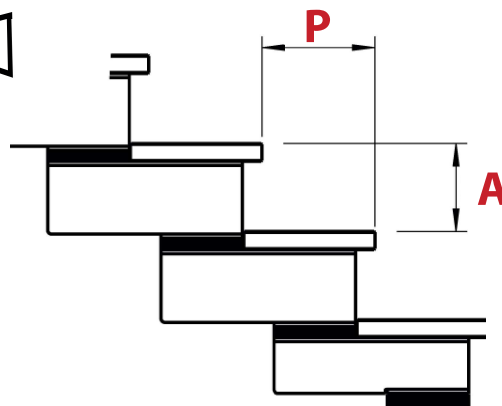
railing type **Minimal**

clearance **207 cm**
verified on **3° step**





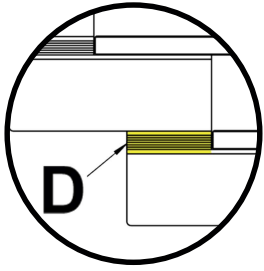
_____ customer _____		(signature for acceptance)
_____ vendor _____		date 14-Jun-2016
<i>room data</i>	<i>stair data</i>	<i>options</i>
width 30 cm	landing type below floor	railing type Minimal 4 tubes
total rise 300 cm	A steps 13	
width 207 cm	P rise 21.4 cm	
width on 3° step	going 25.0 cm	
	flights width 84 cm	



2.1

PRE ASSEMBLY





model

Composity

Quality System Standard UNI EN ISO 9001

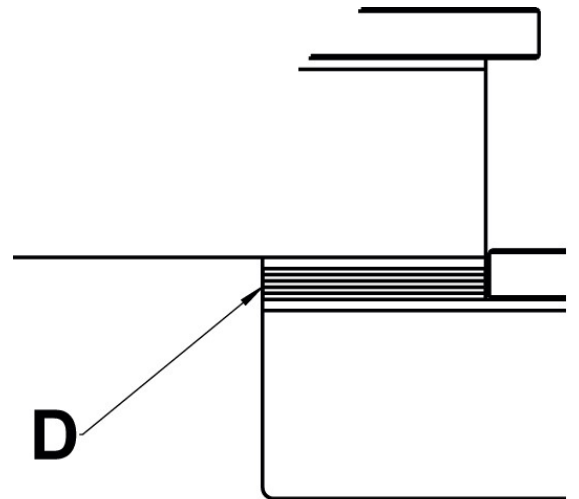
vendor _____
customer _____
file _____
order _____

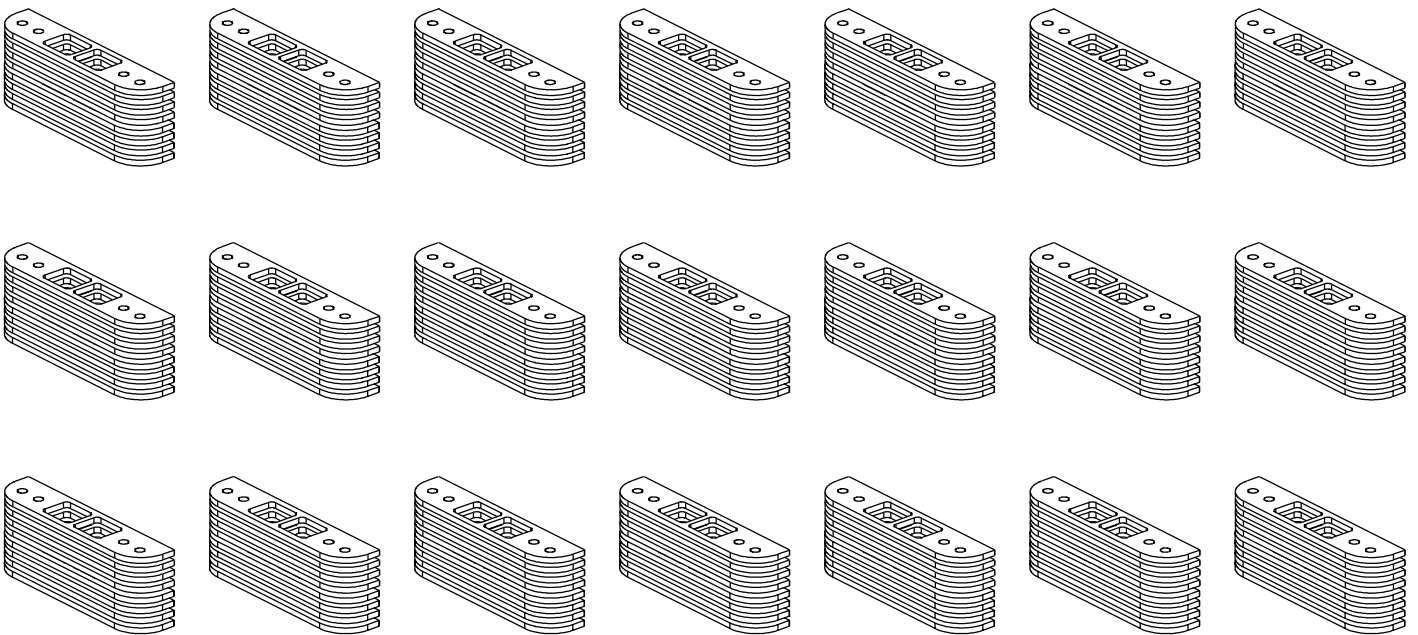
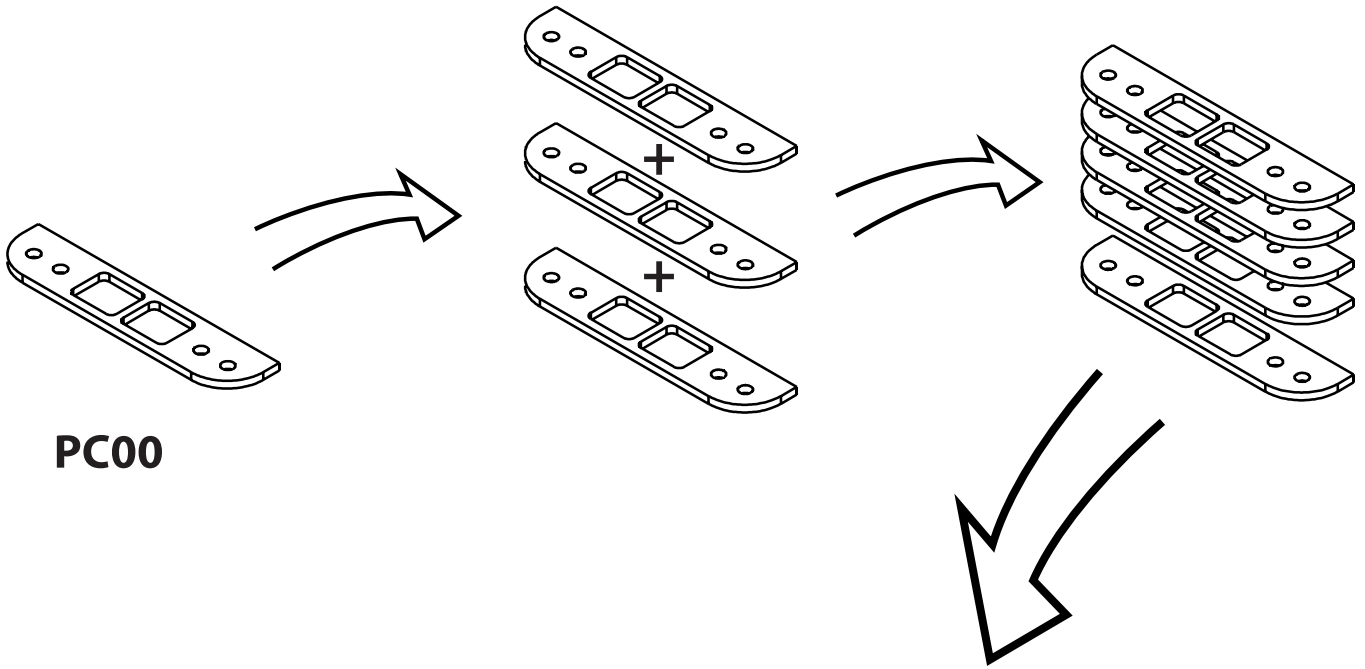
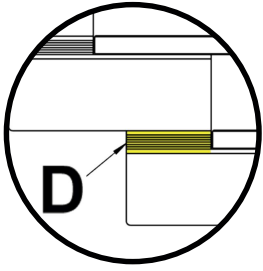
THE CLIENT _____
(signature for acceptance and stamp required in case of a company)
date **14-Jun-2016 10:59:14**

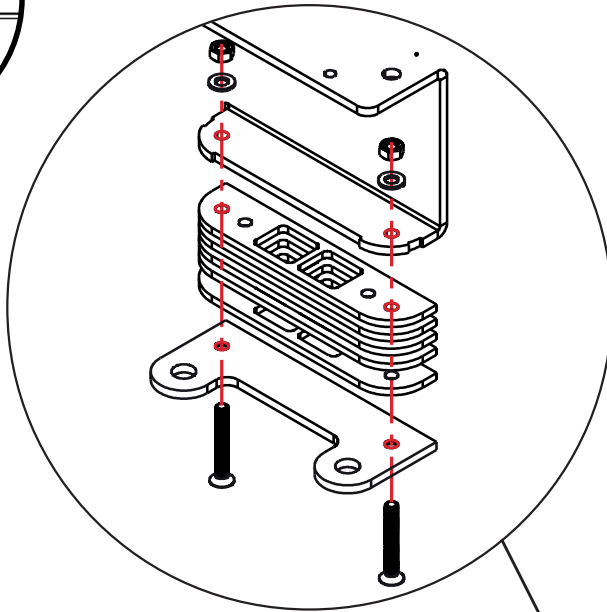
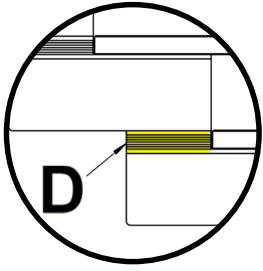
Technical notes

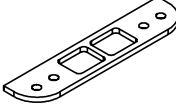
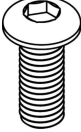
Rise adjustment

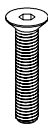
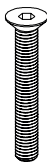
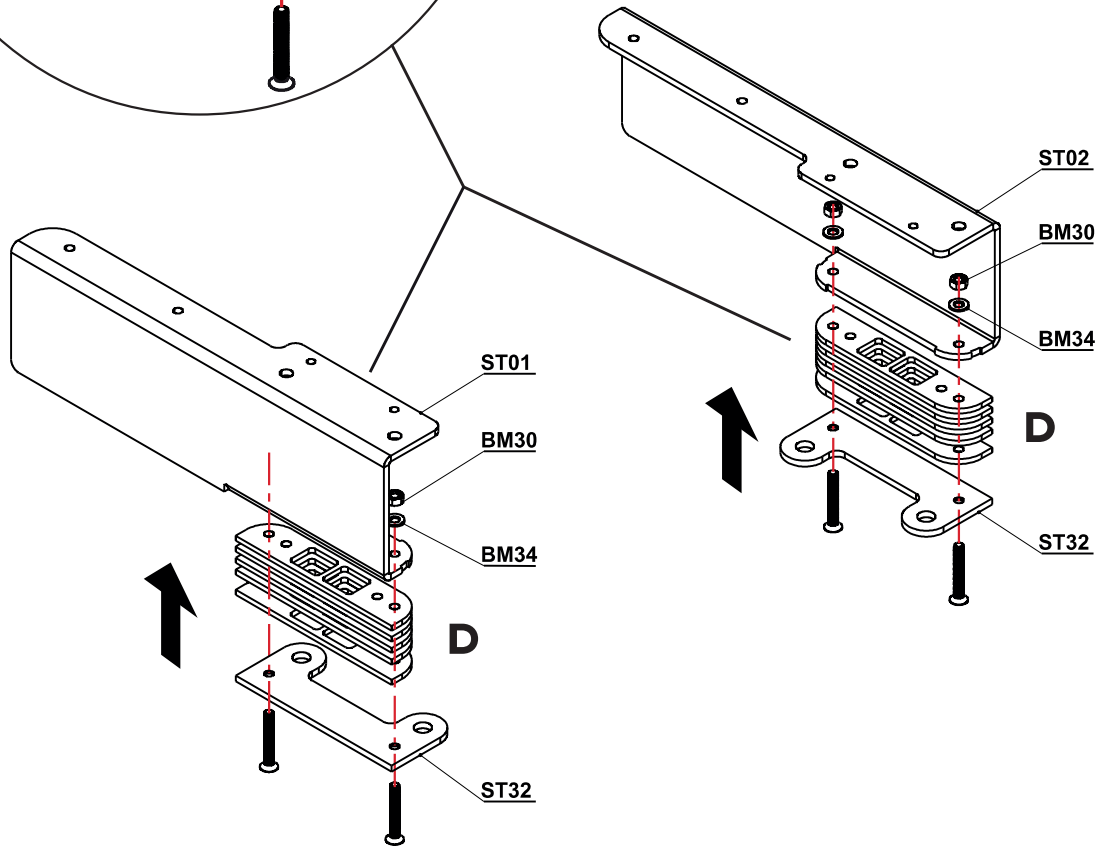
- total rises: 14
- value of rise 14: 21.5 cm
- value of rises from 13 to 3: 21.5 cm (9 spacers D)
- value of rises from 2 to 1: 21.0 cm (8 spacers D)







	
D	
1 ÷ 4	BM08 M8X40
4 ÷ 7	BM07 M8X55
7 ÷ 10	BM06 M8X70



BM 06

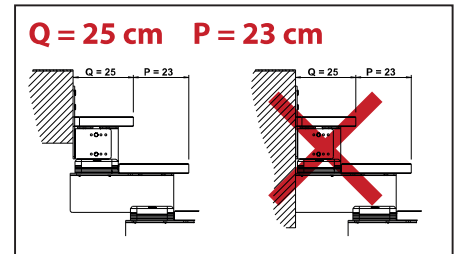
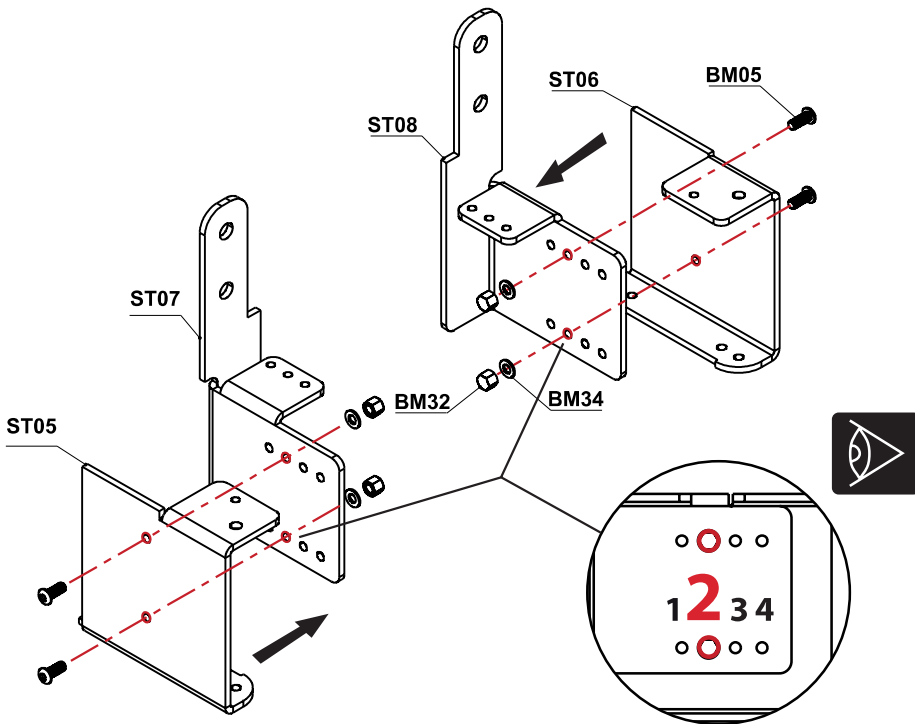
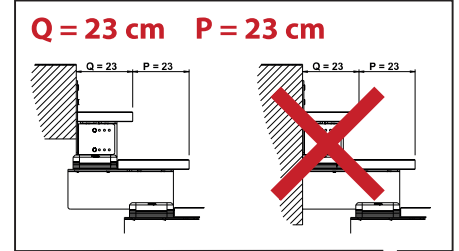
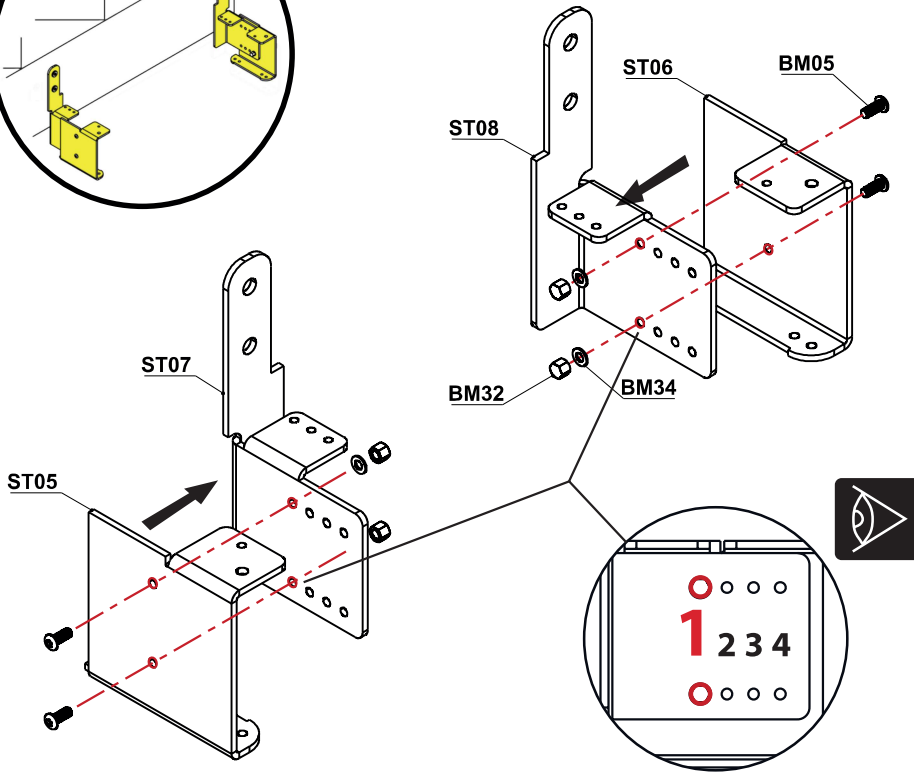
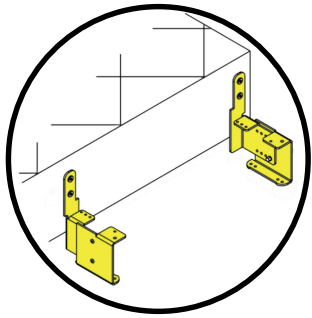
BM 07

BM 08

BM 032

BM 34



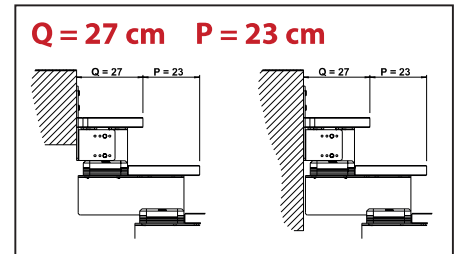
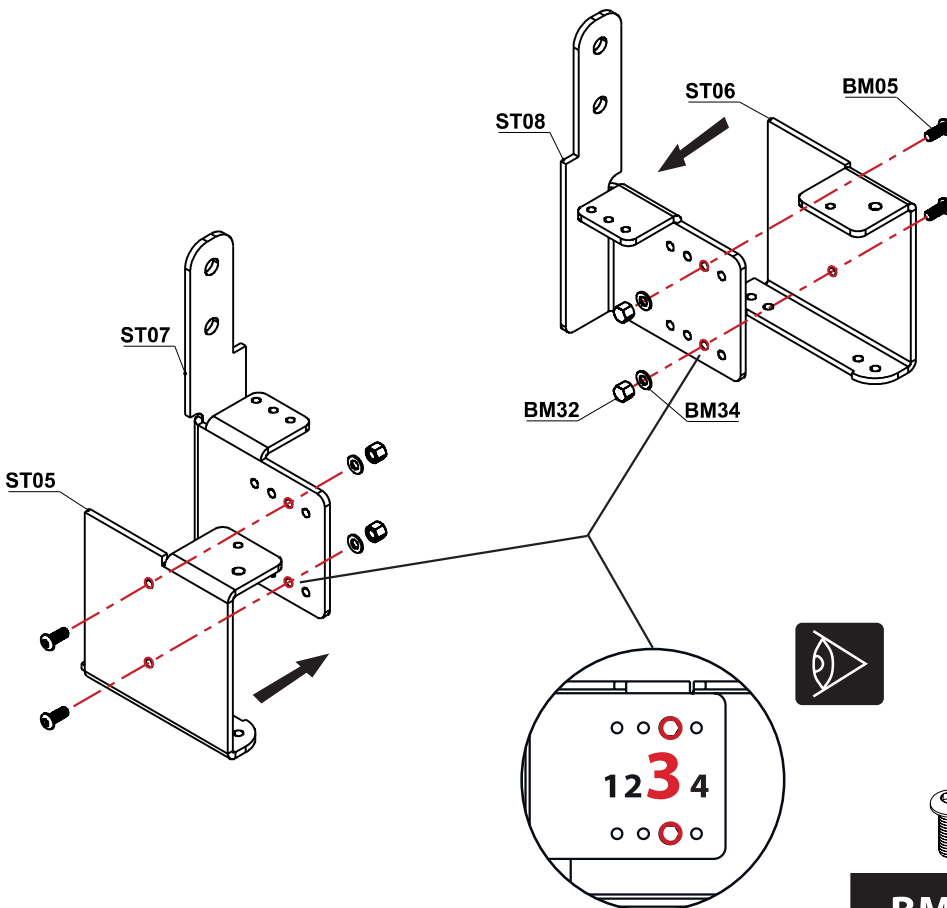
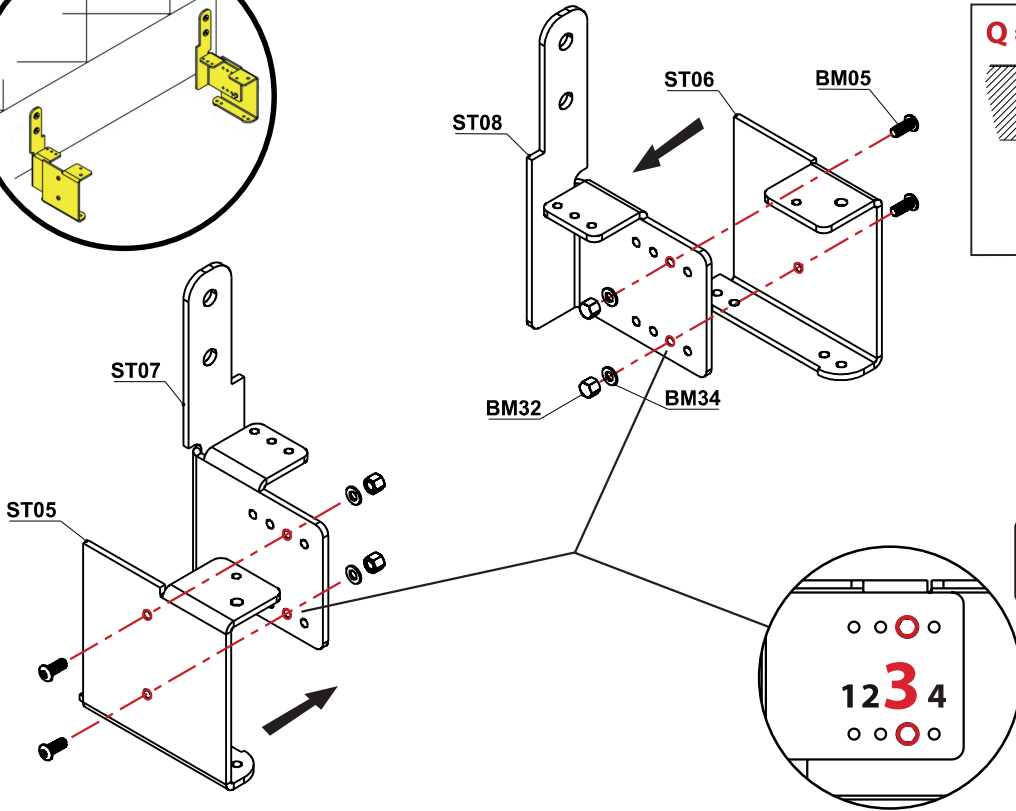
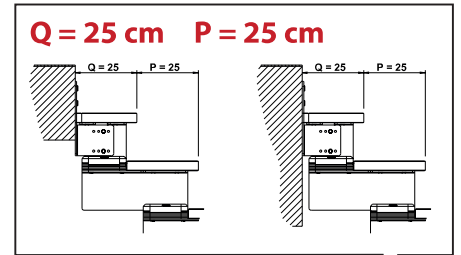
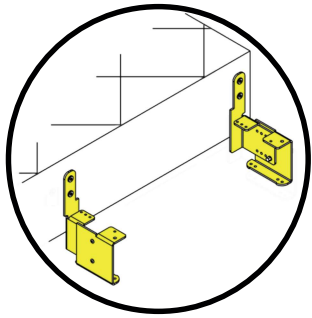


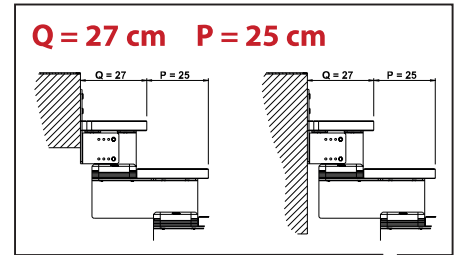
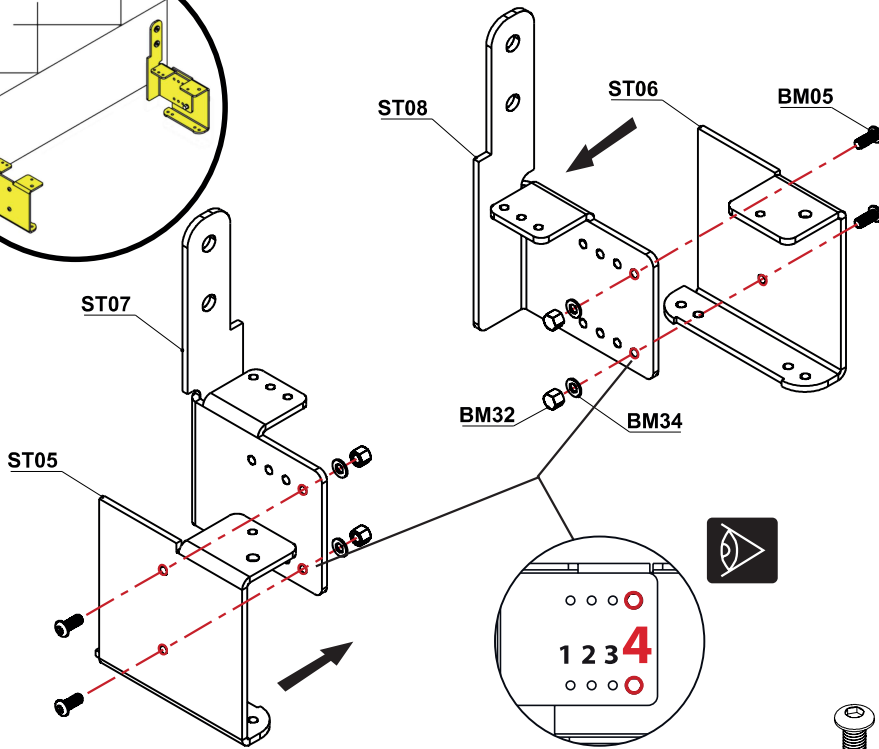
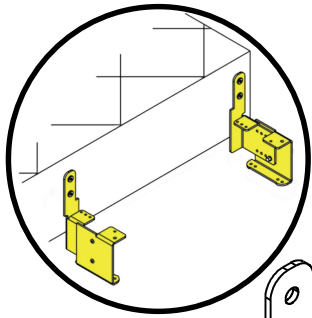
BM 05

BM 032

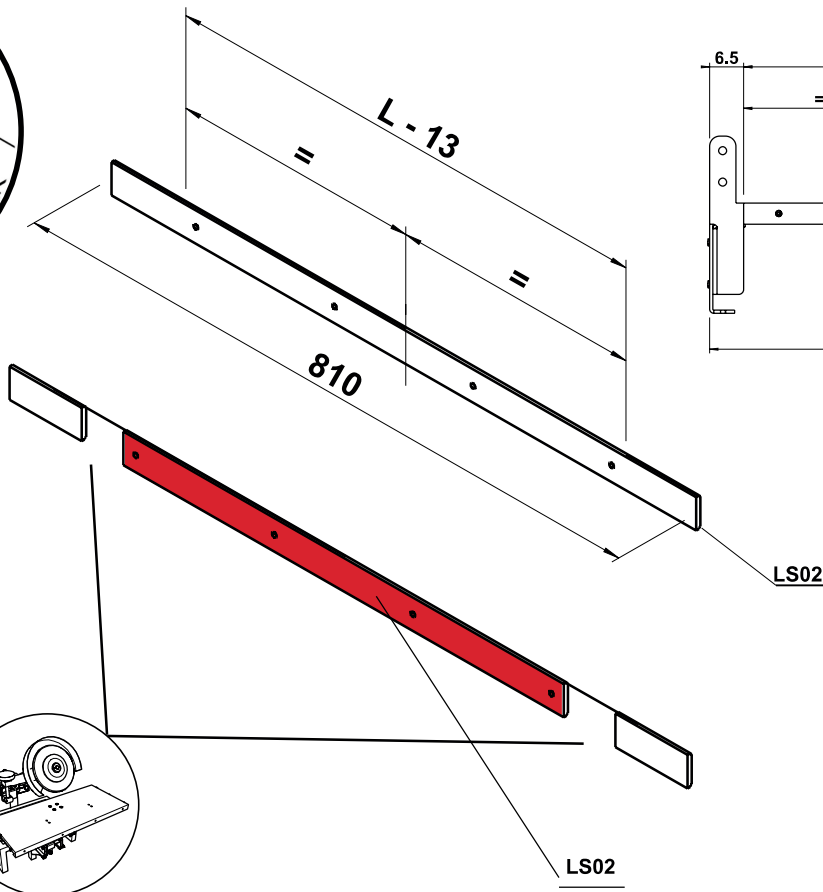
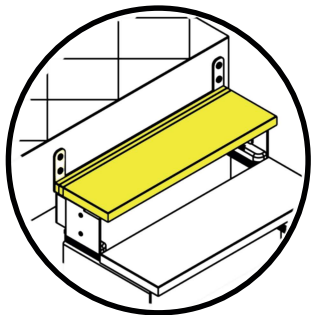
BM 34

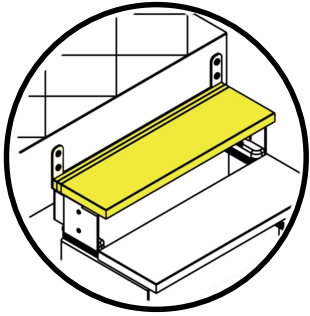




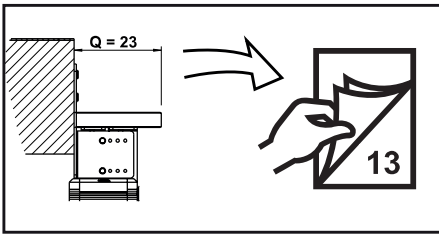


BM 05 **BM 032** **BM 34**

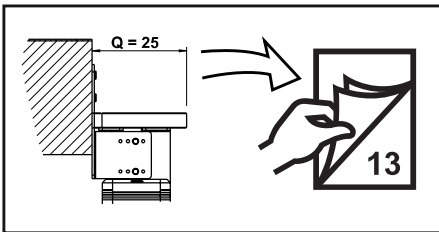




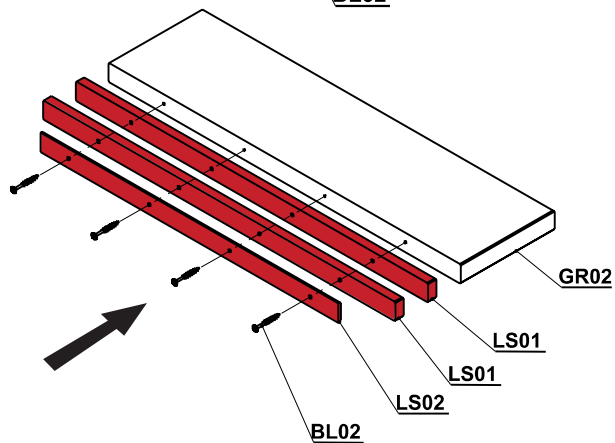
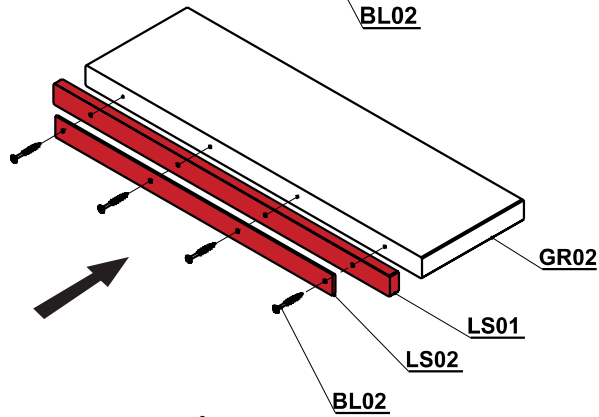
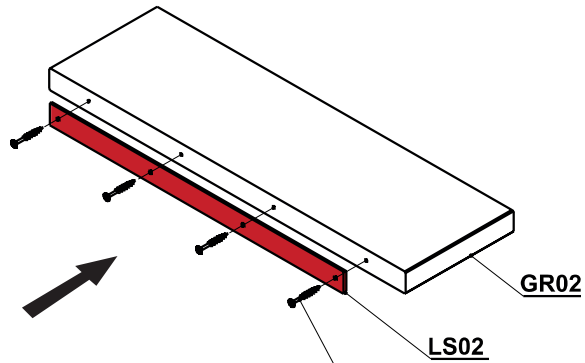
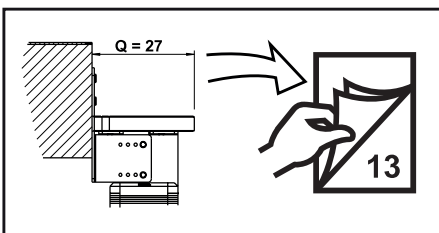
Q = 23 cm



Q = 25 cm

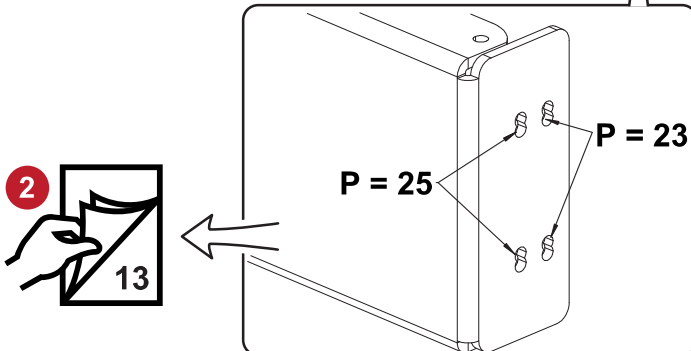
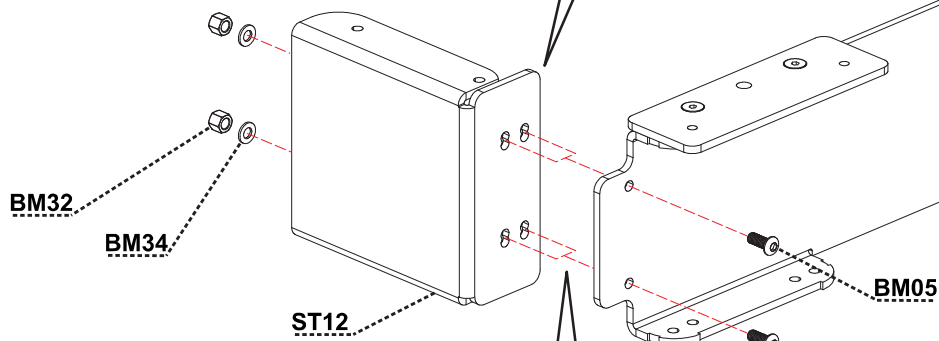
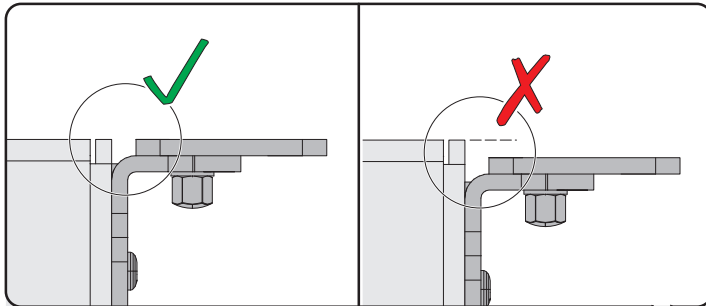
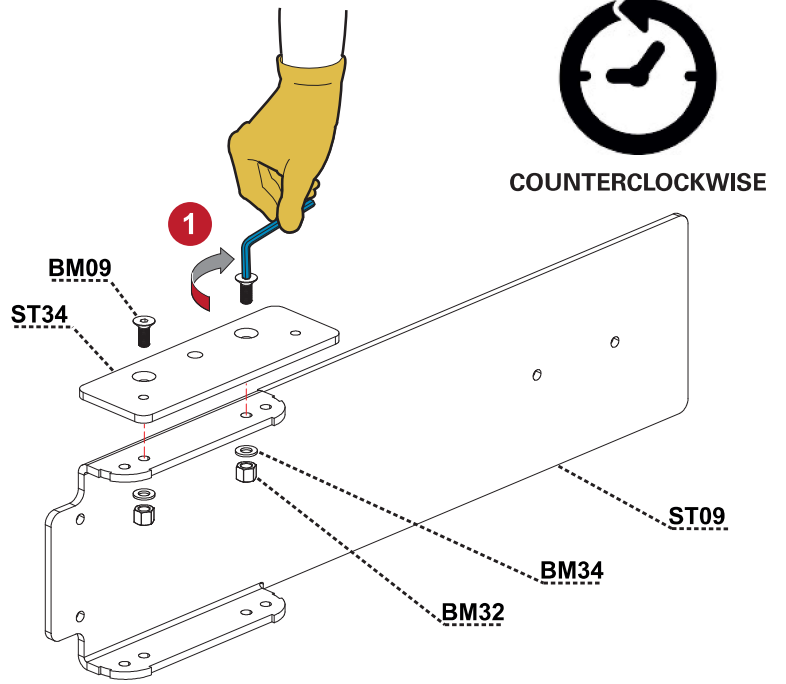
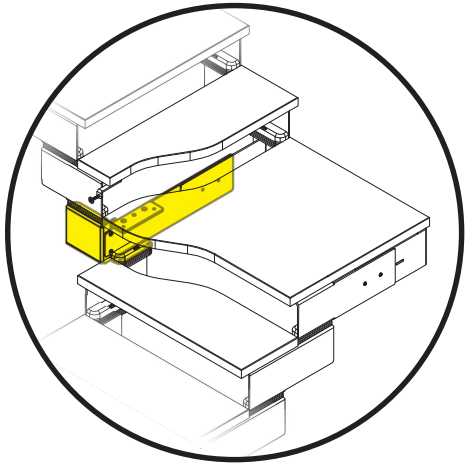


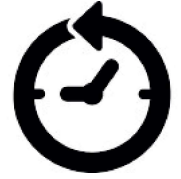
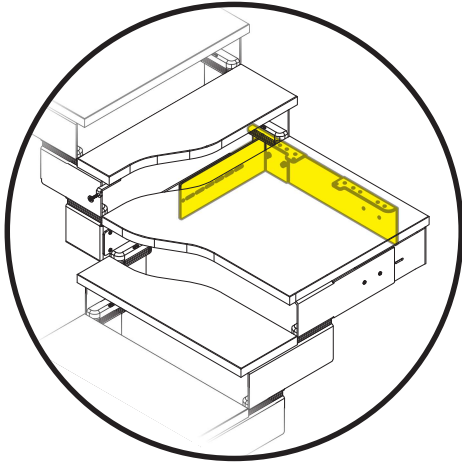
Q = 27 cm



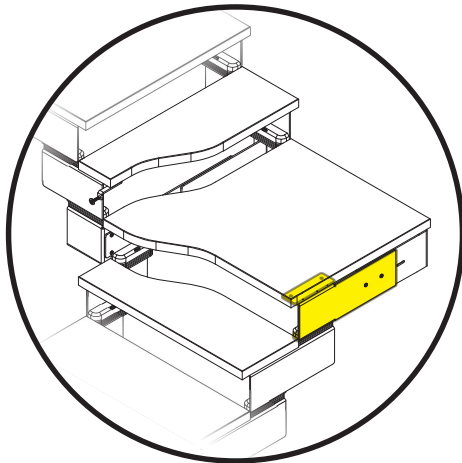
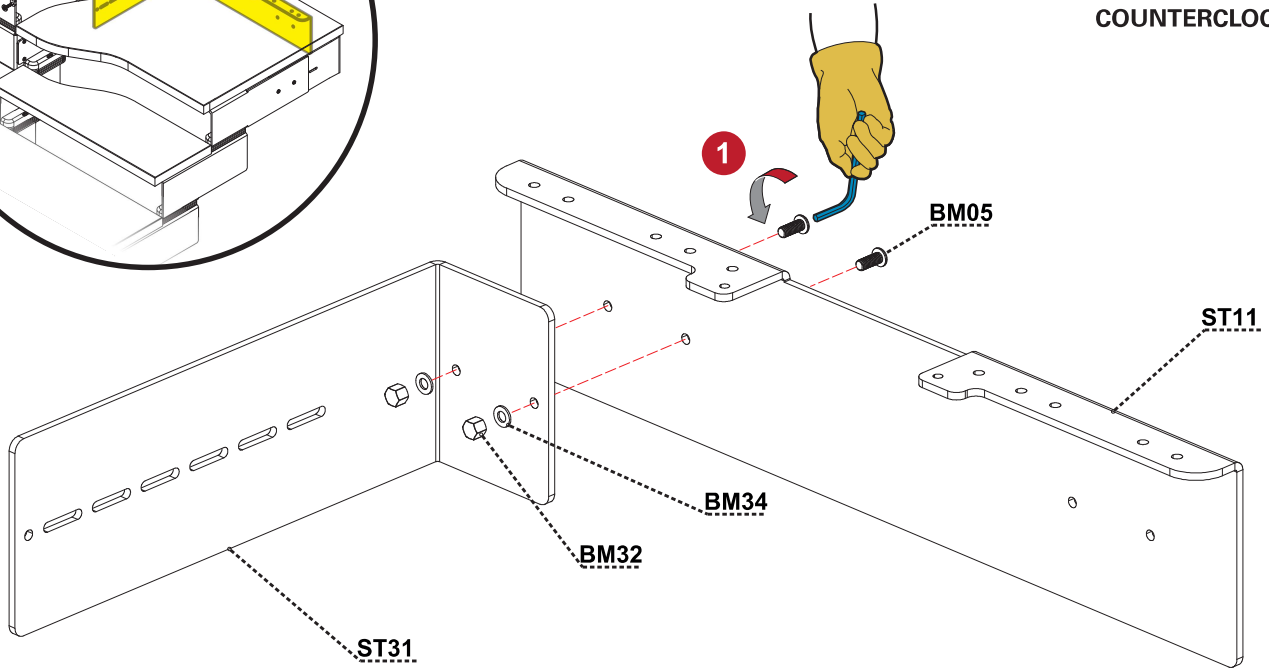
BL 02



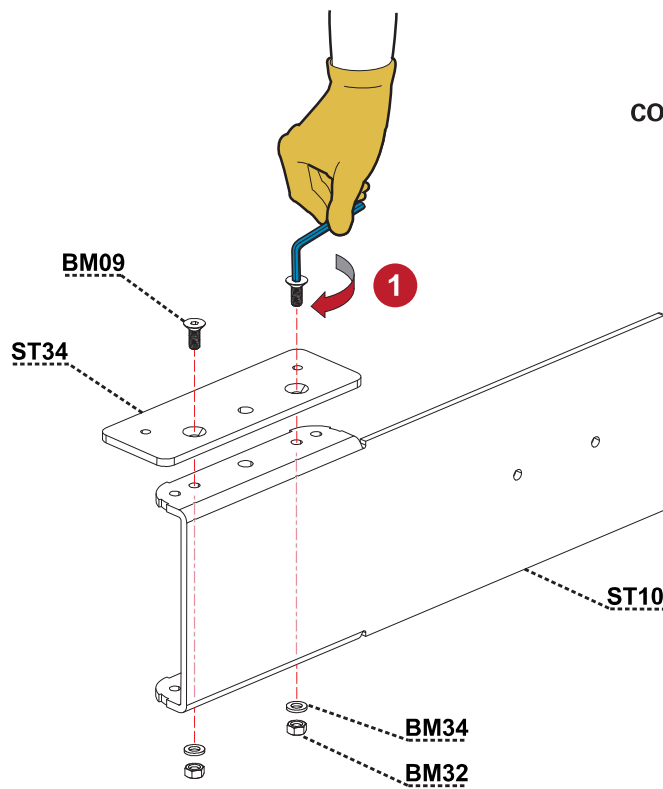


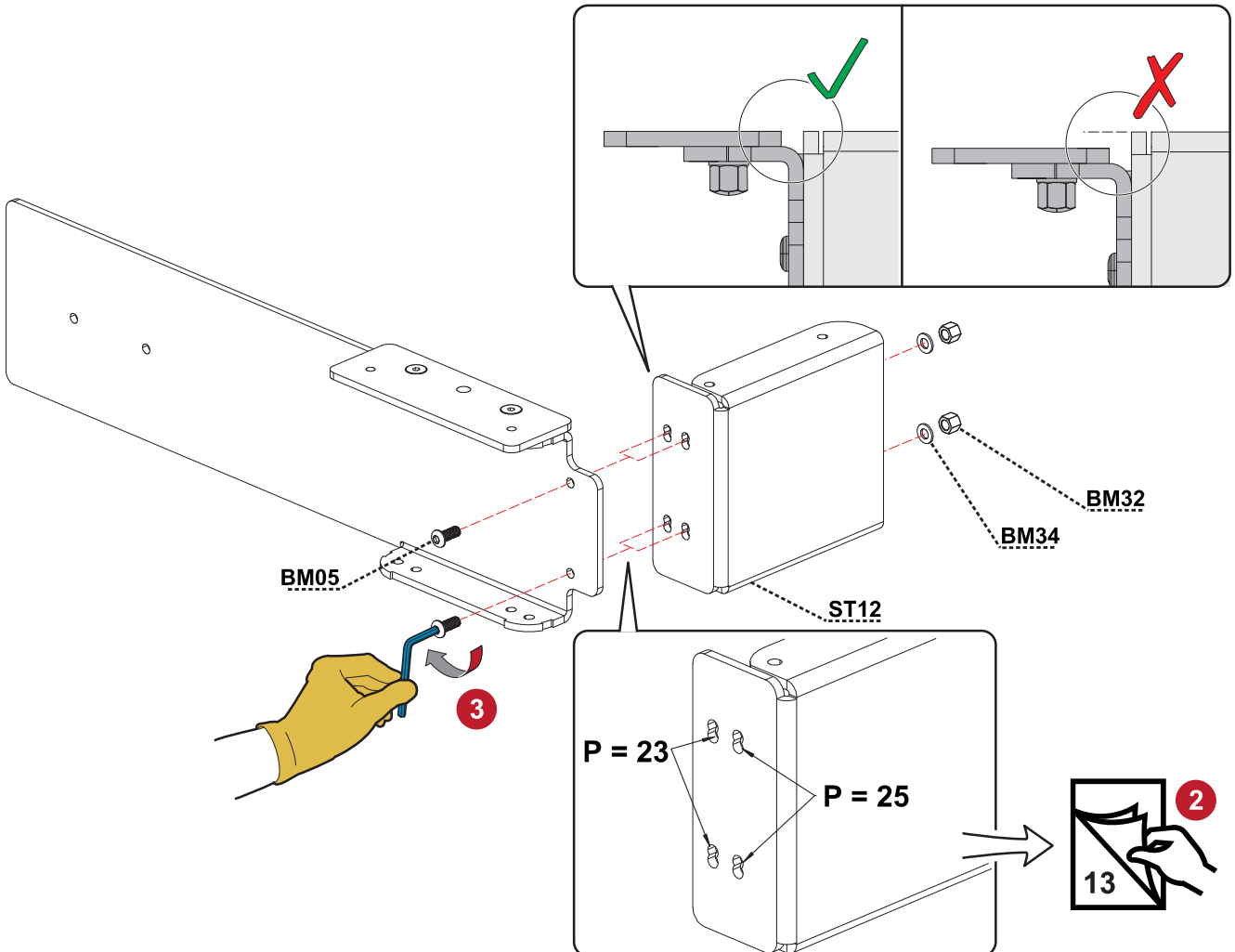
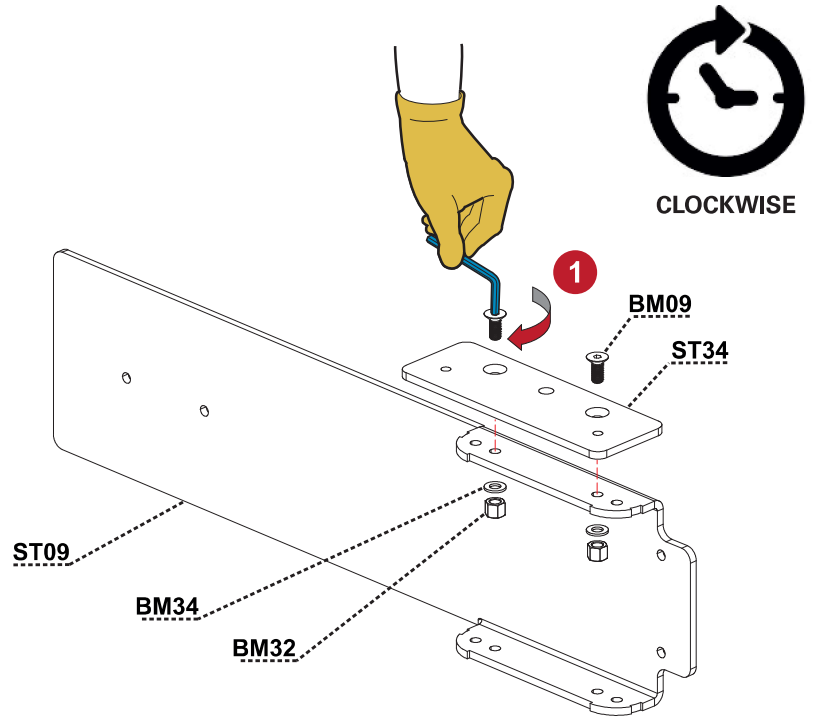
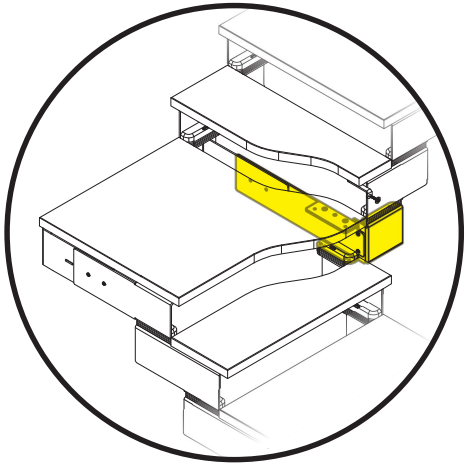


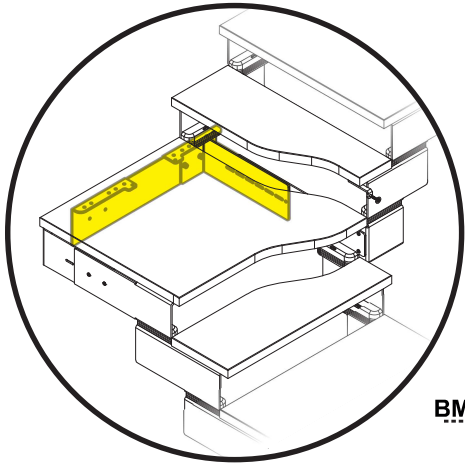
COUNTERCLOCKWISE



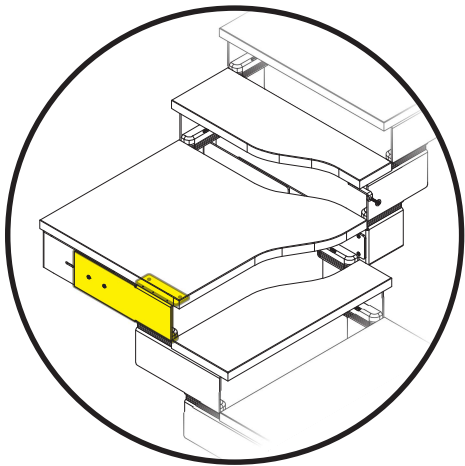
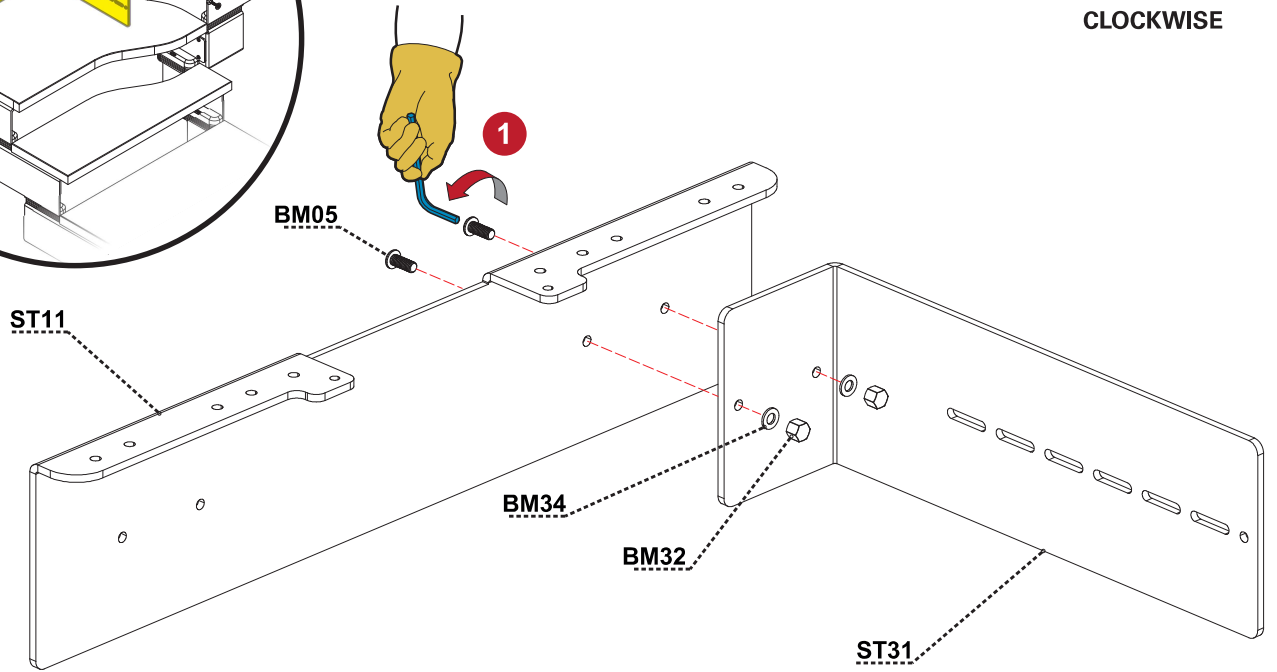
COUNTERCLOCKWISE



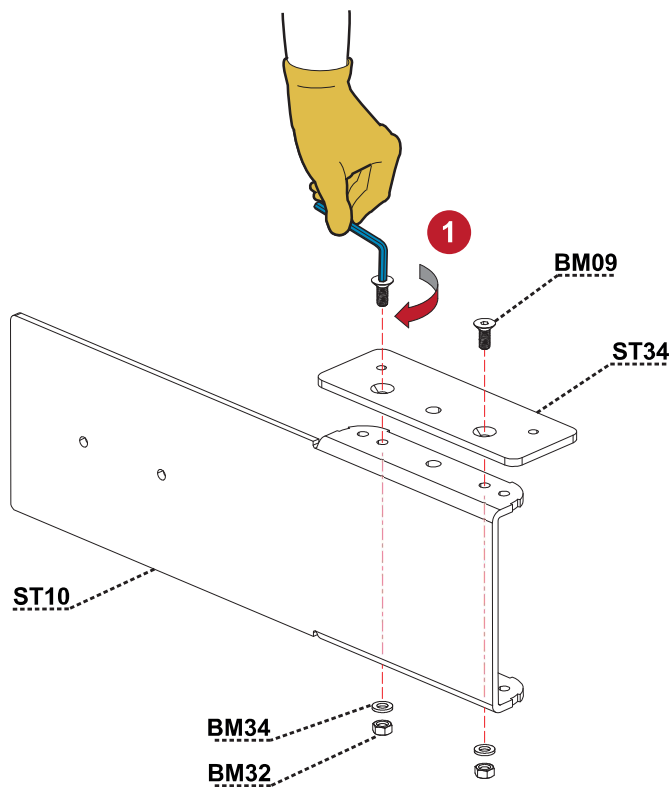


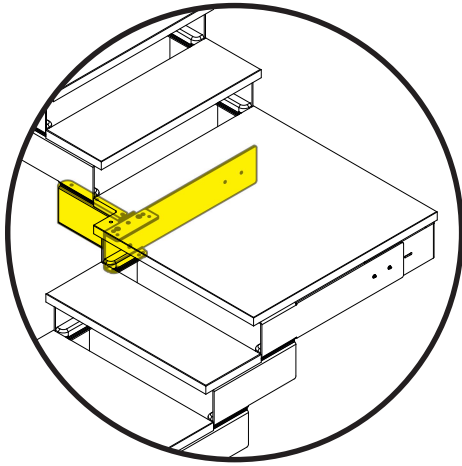


CLOCKWISE

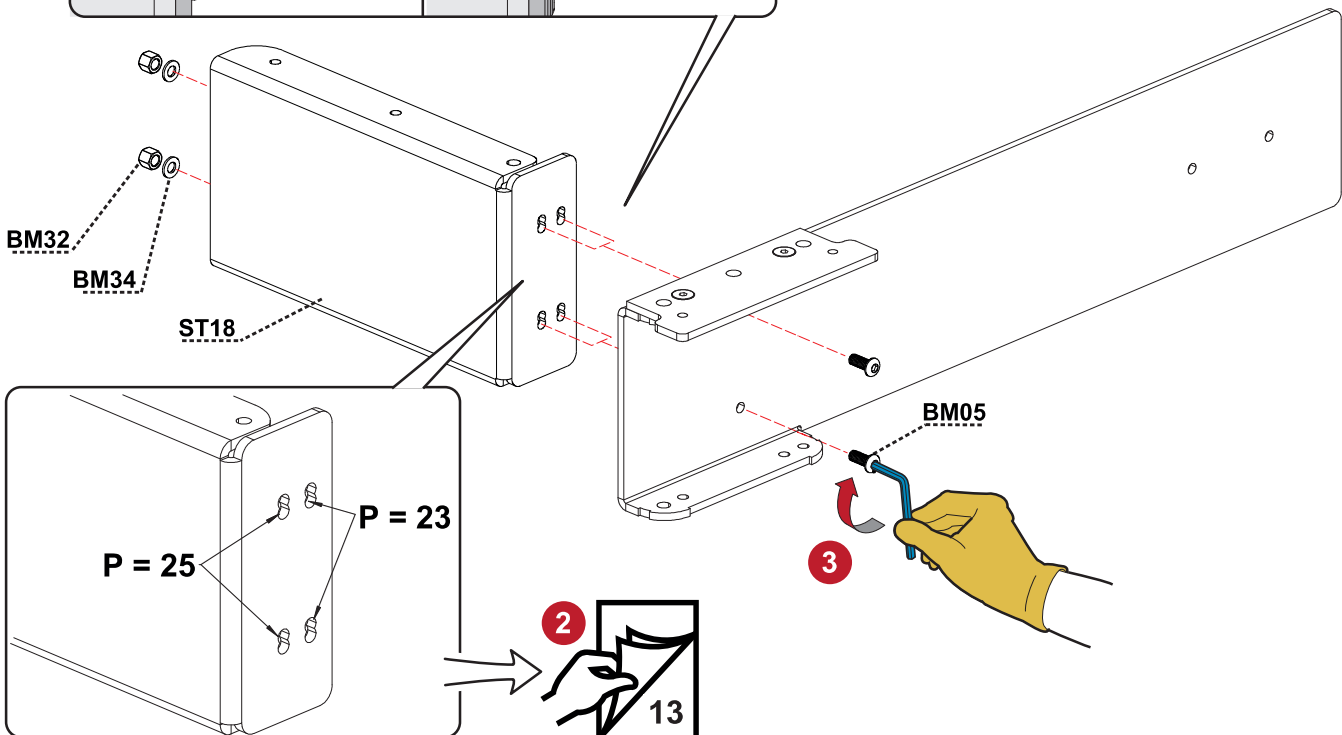
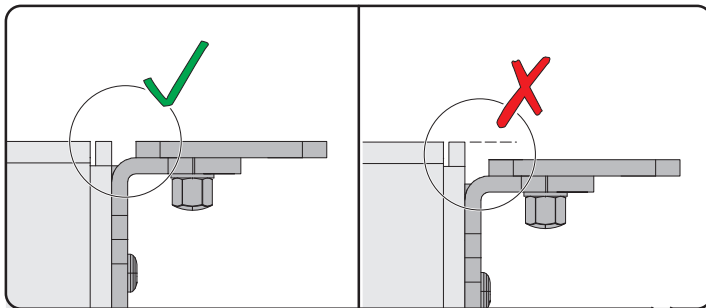
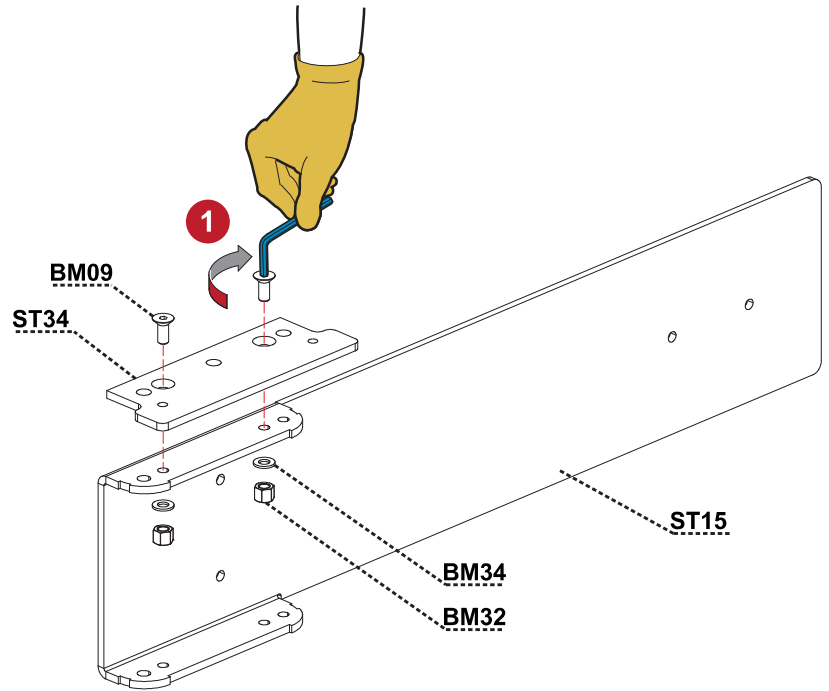


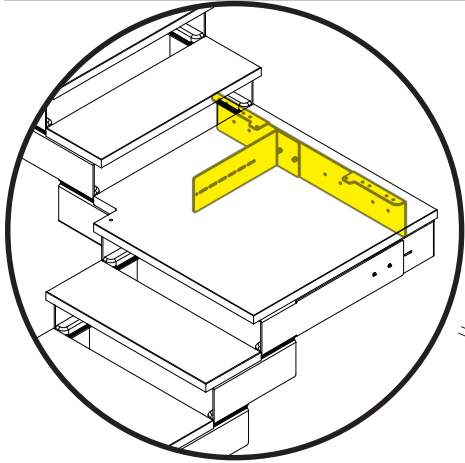
CLOCKWISE



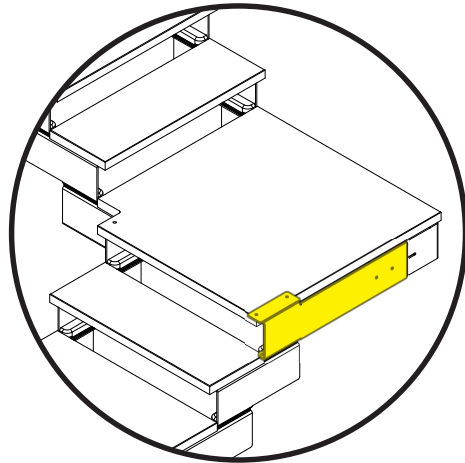
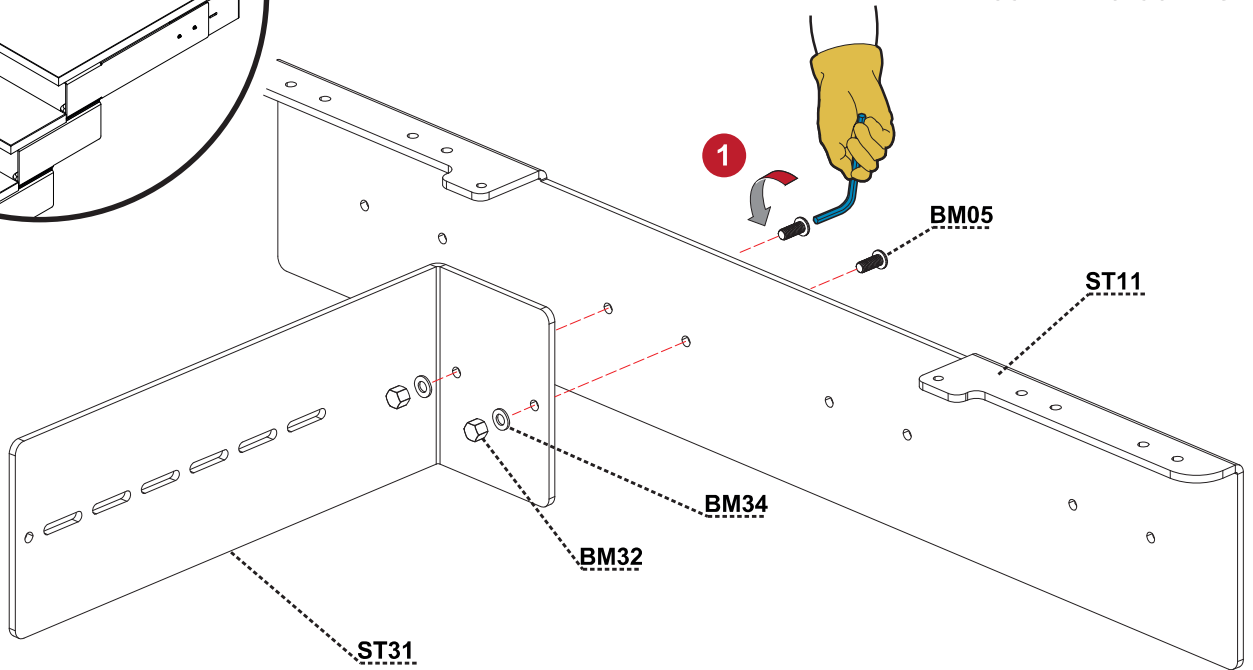


COUNTERCLOCKWISE

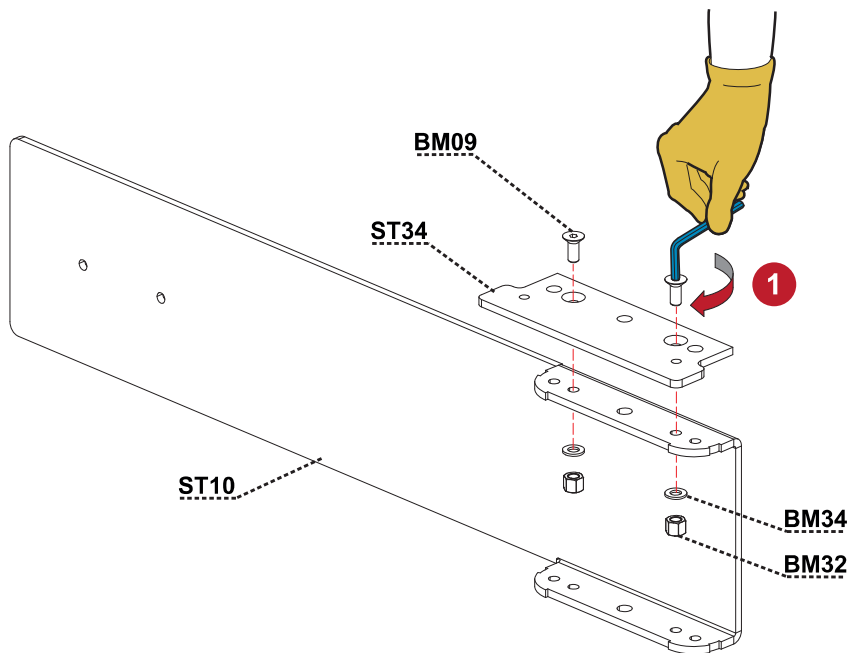


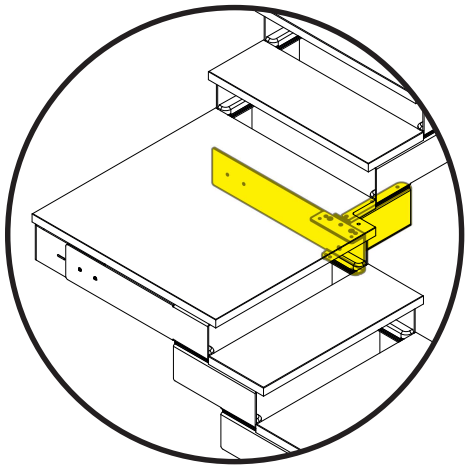


COUNTERCLOCKWISE

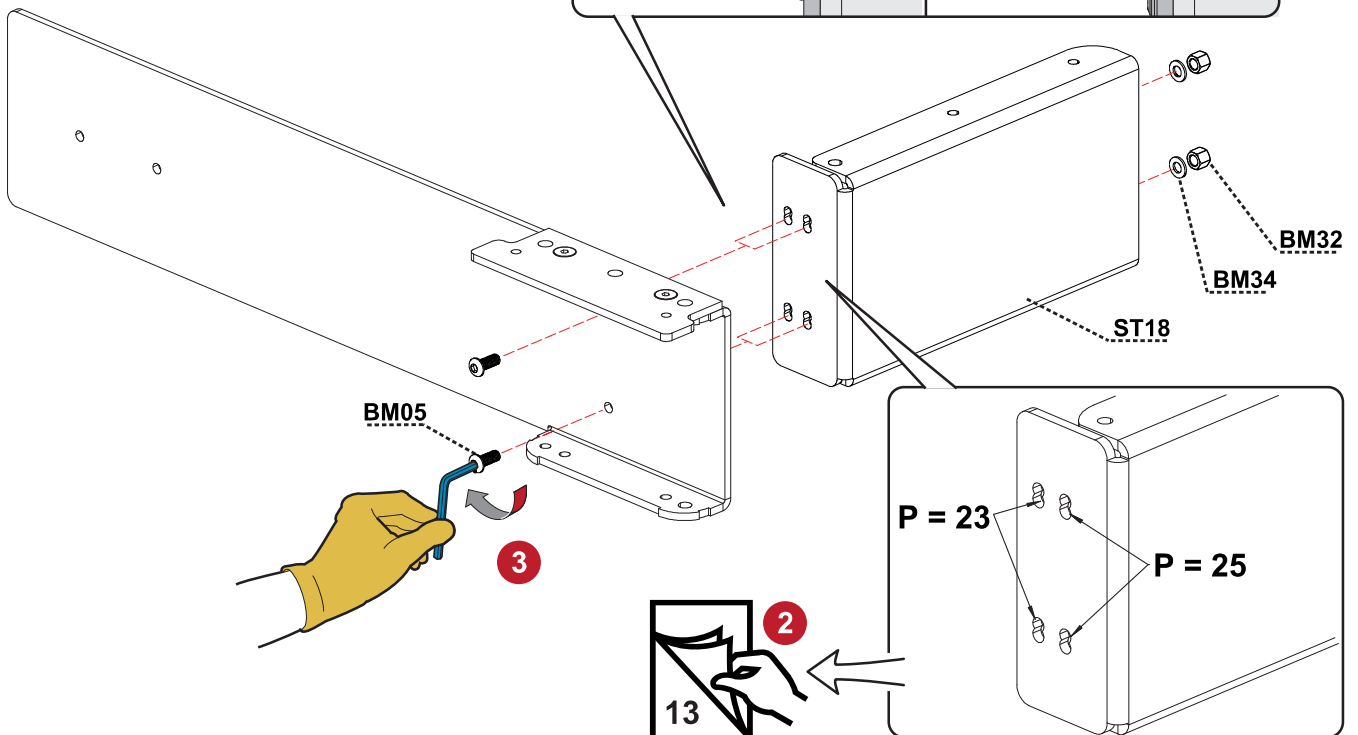
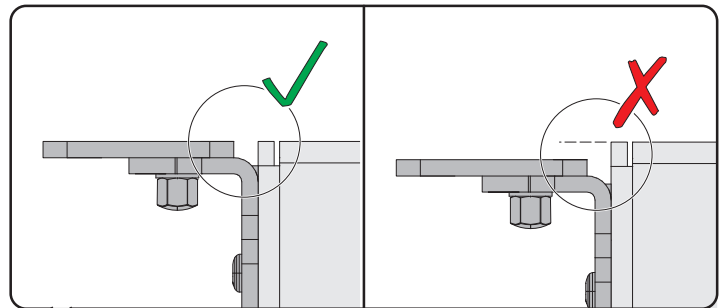
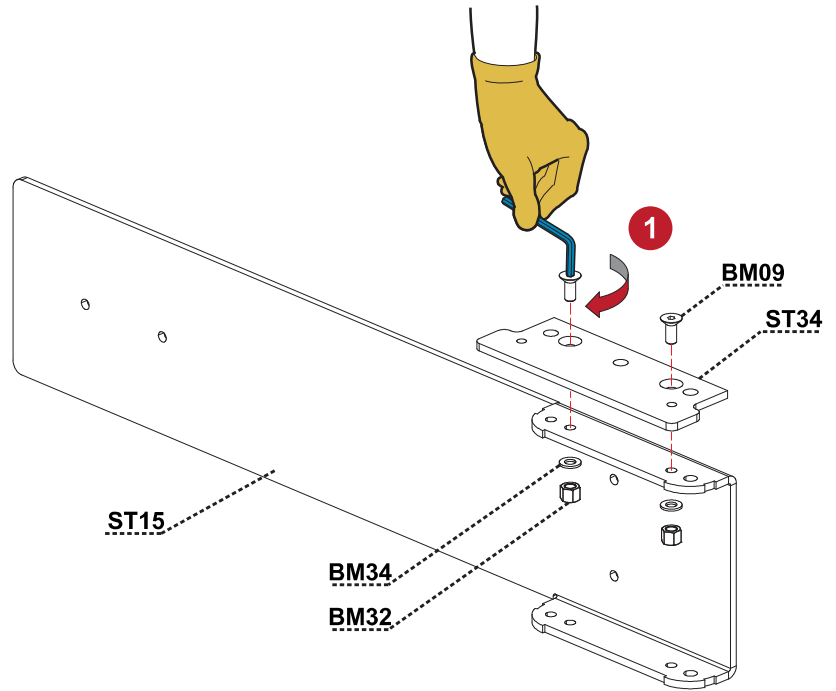


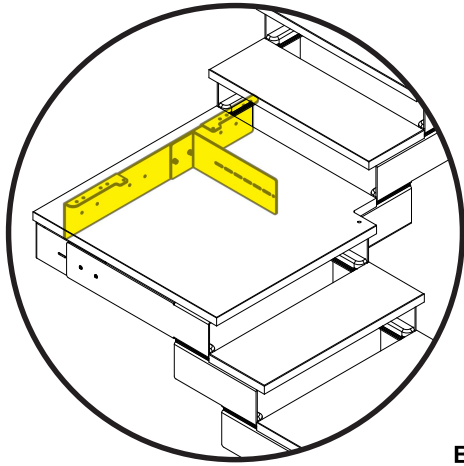
COUNTERCLOCKWISE



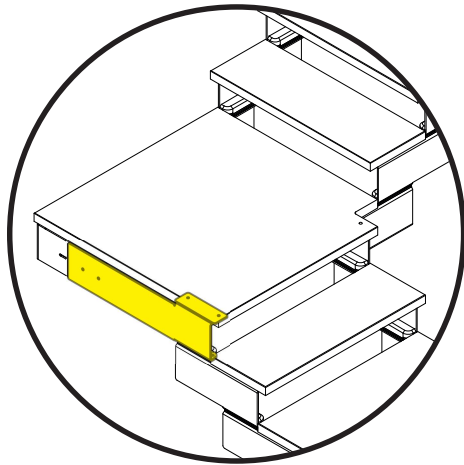
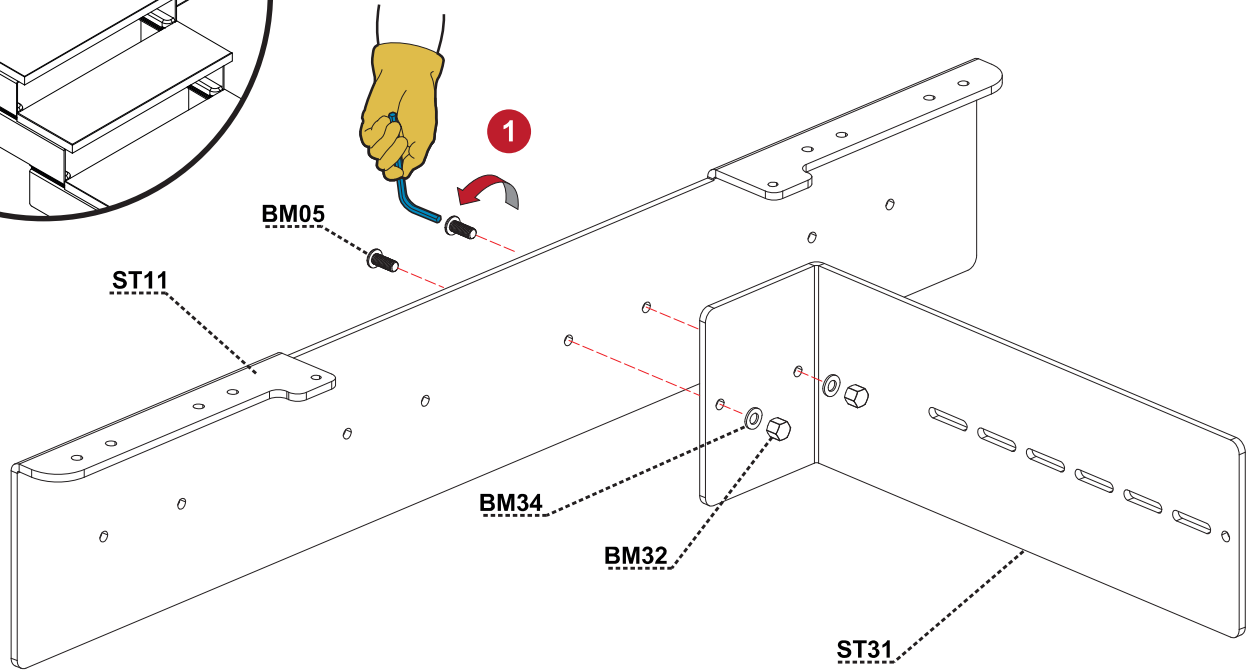


CLOCKWISE





CLOCKWISE



CLOCKWISE

