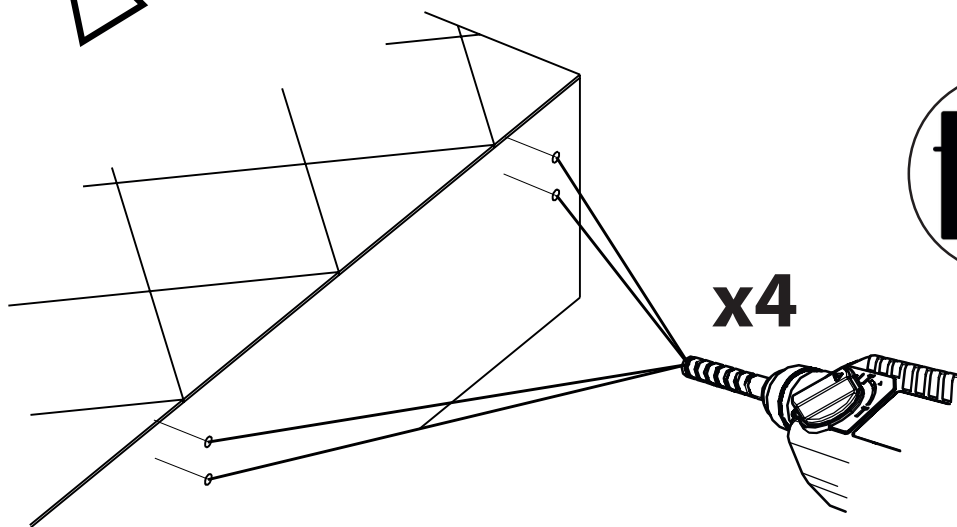
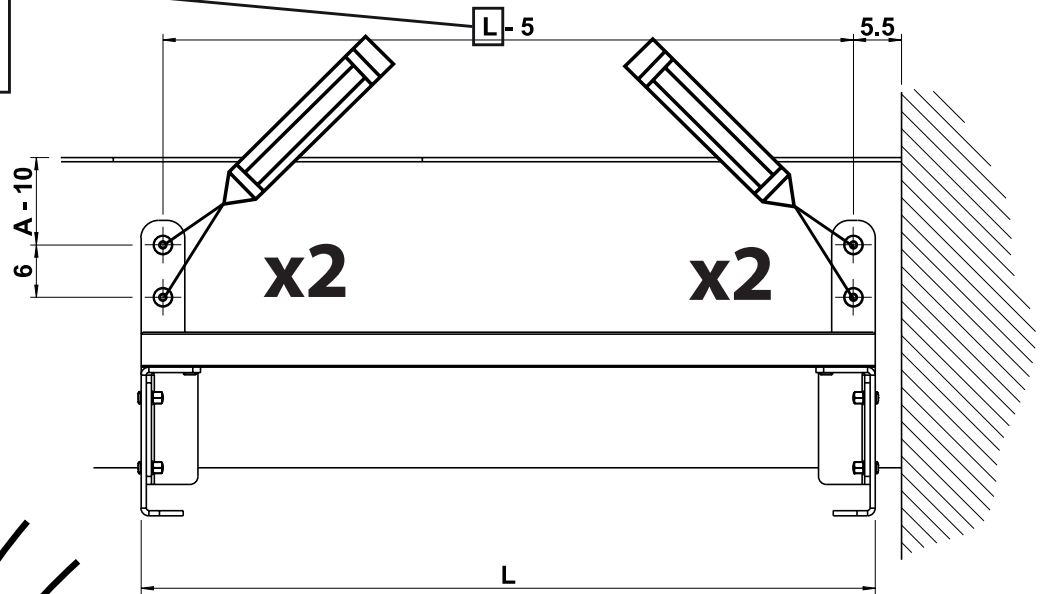
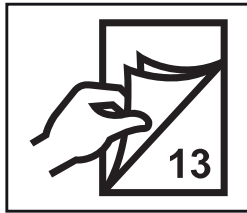
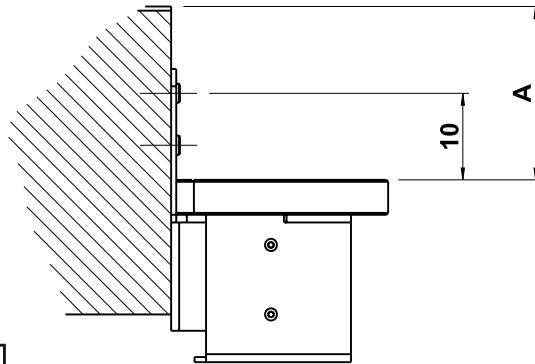
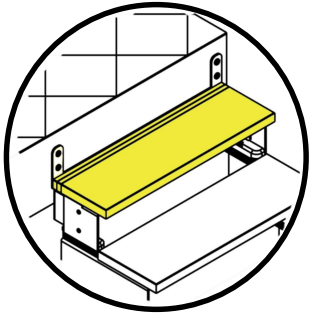
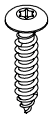
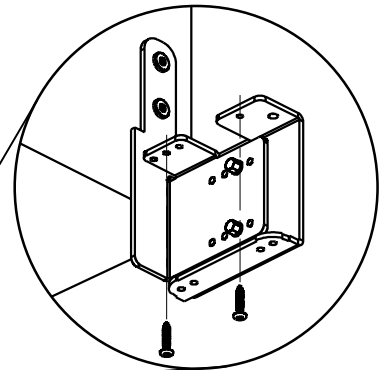
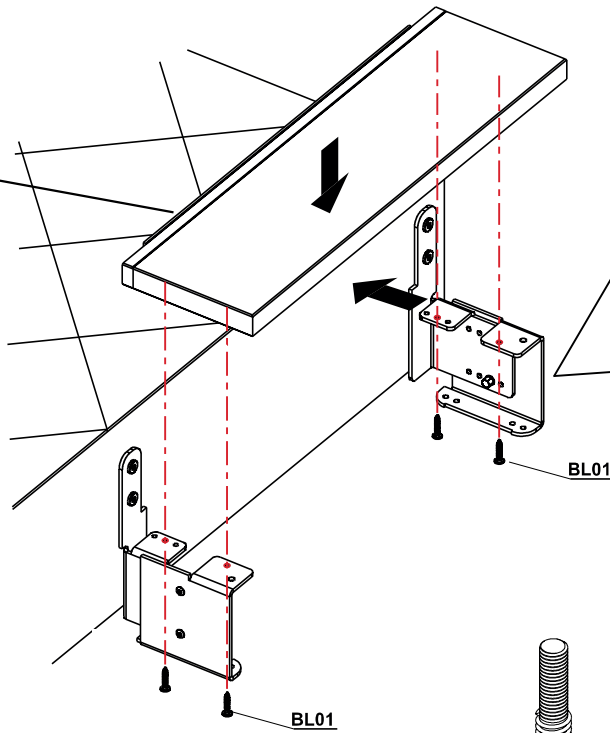
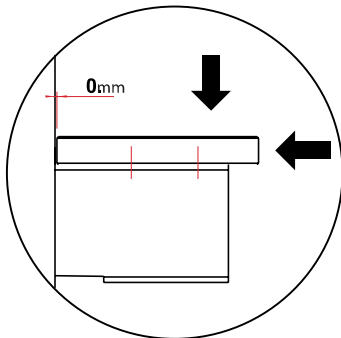
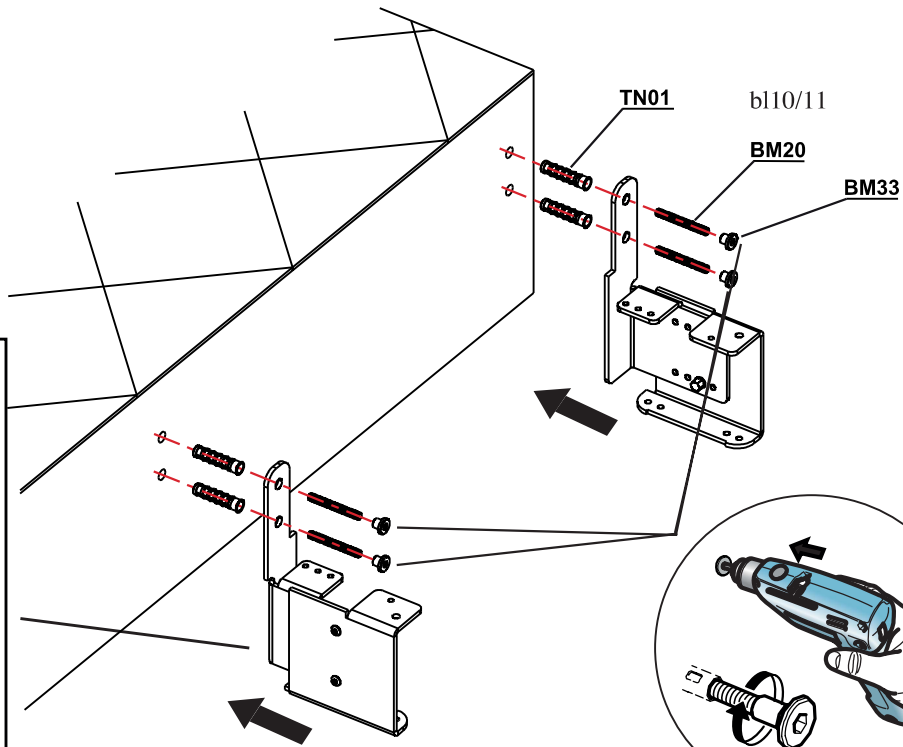
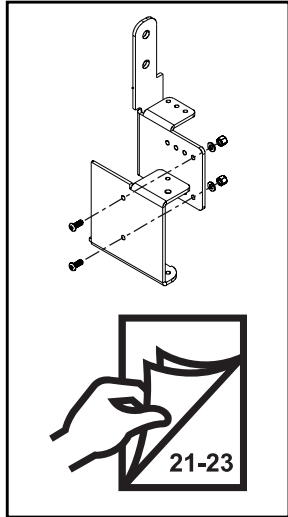
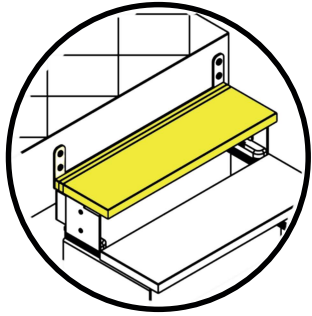


3 . 1

ASSEMBLY







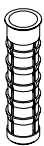
BL 01



BL 11

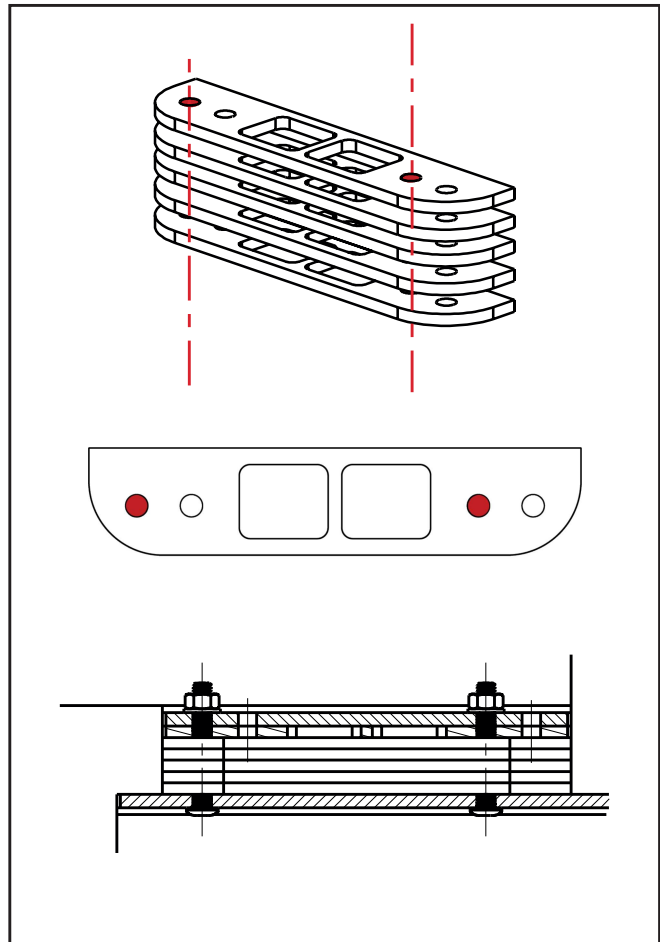
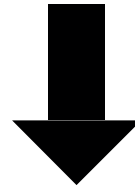
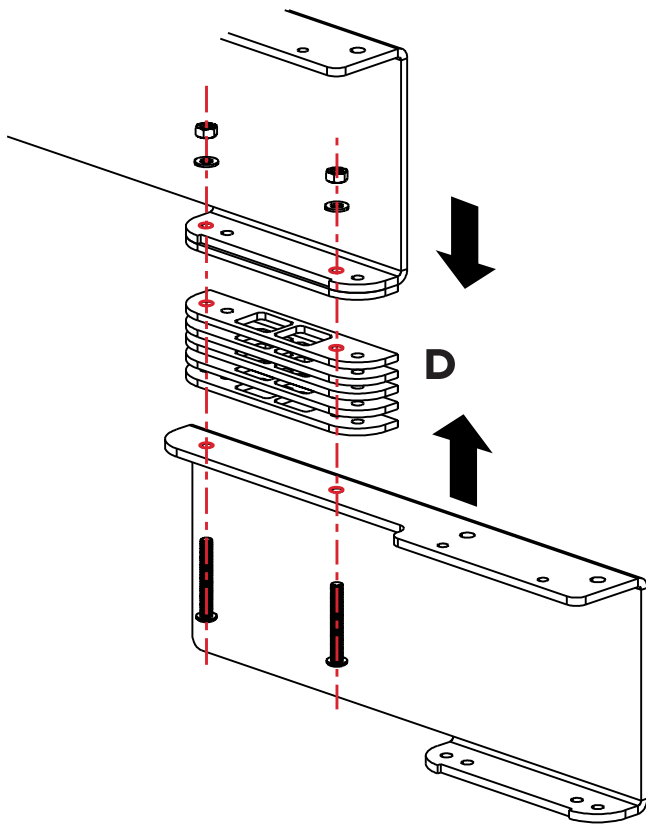
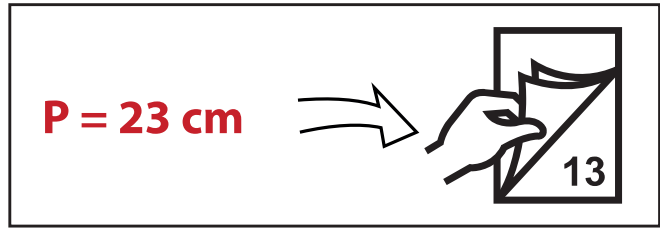
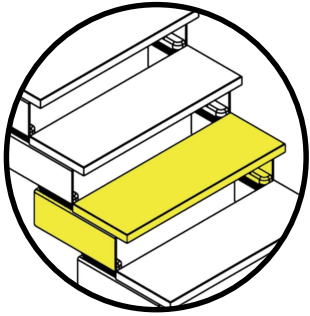


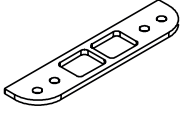
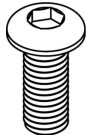
BM 33



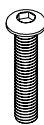
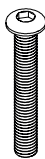
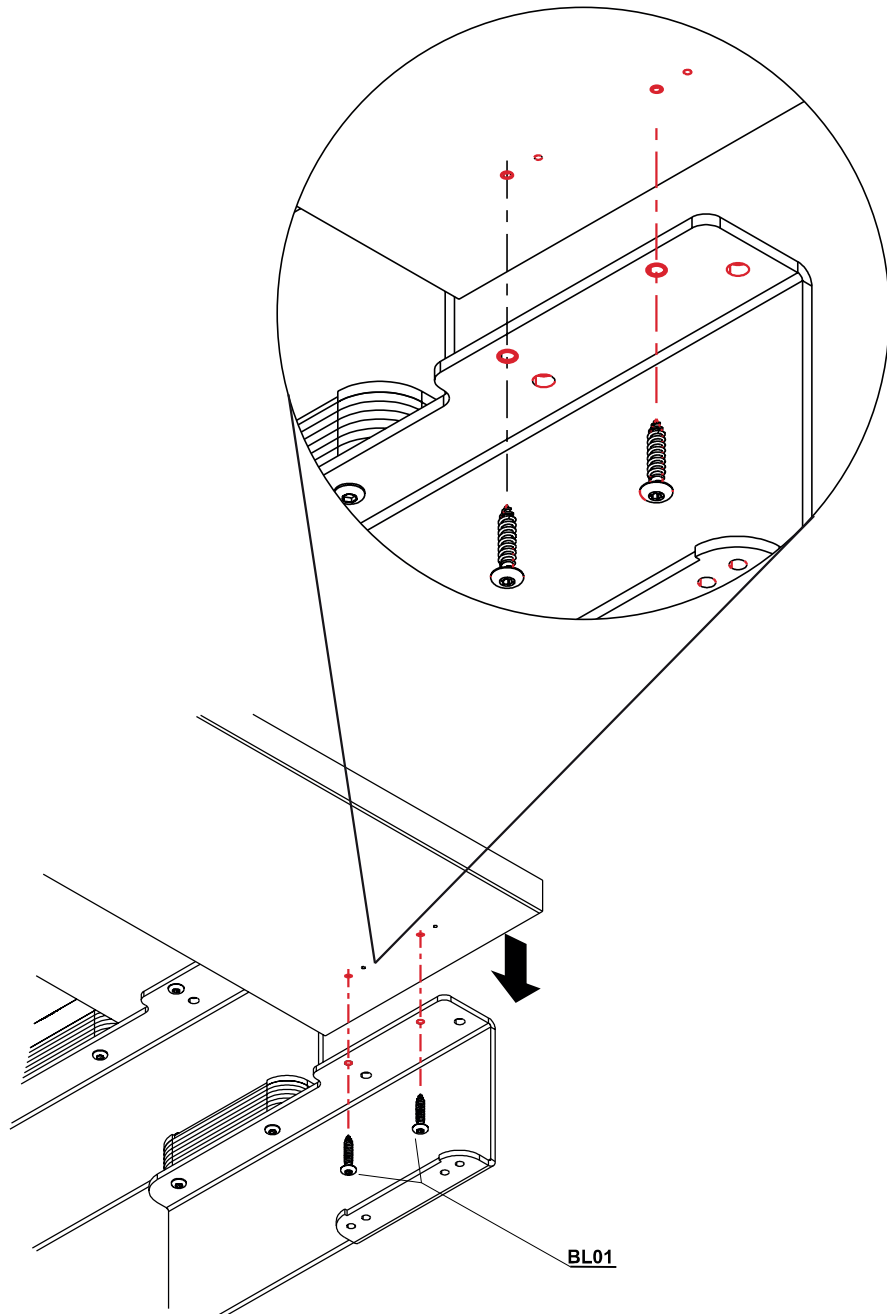
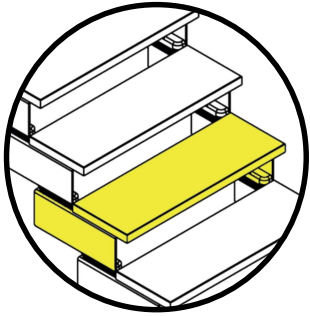
TN 01





 D	
1 ÷ 4	BM04 M8X40
4 ÷ 7	BM02 M8X55
7 ÷ 10	BM01 M8X70





BM 01

BM 02

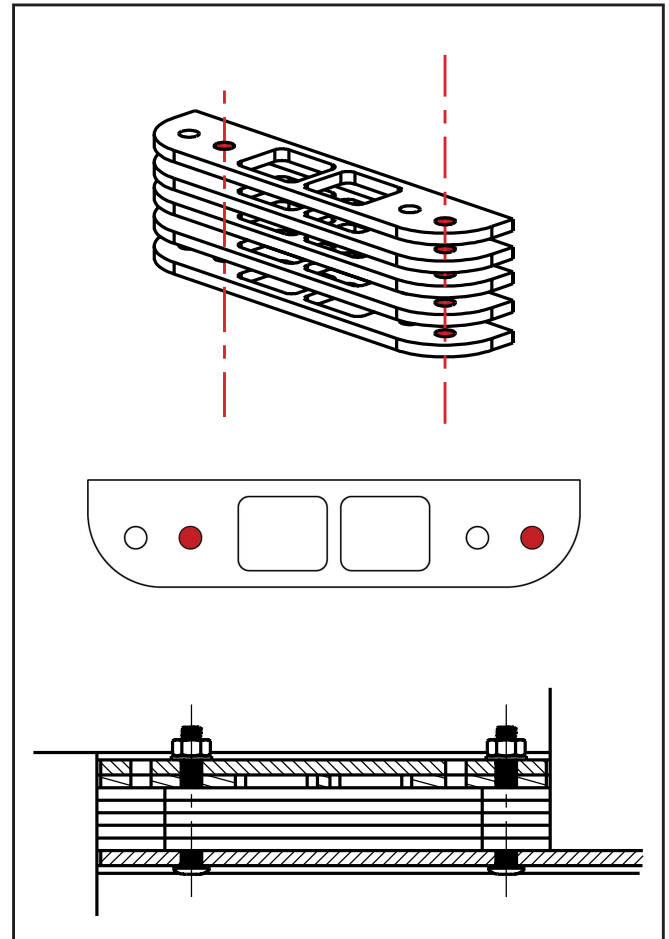
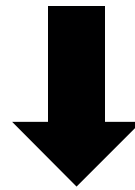
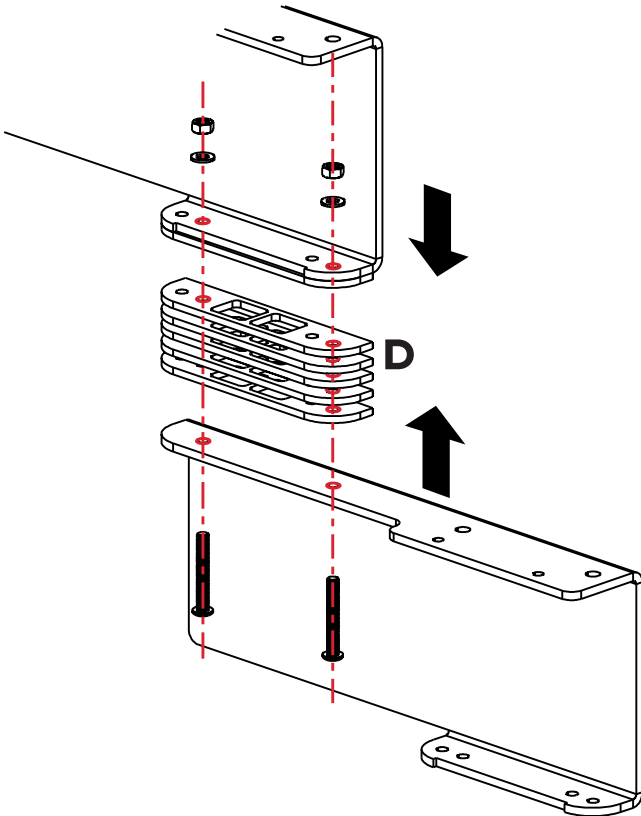
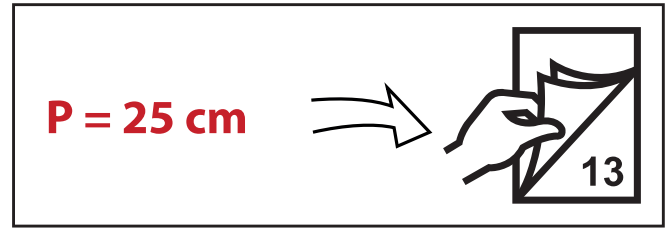
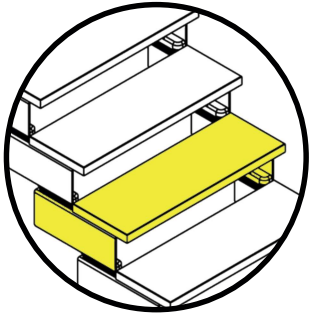
BM 04

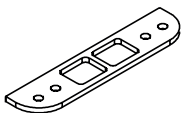
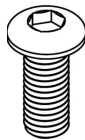
BM 032

BM 34

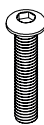
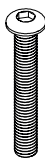
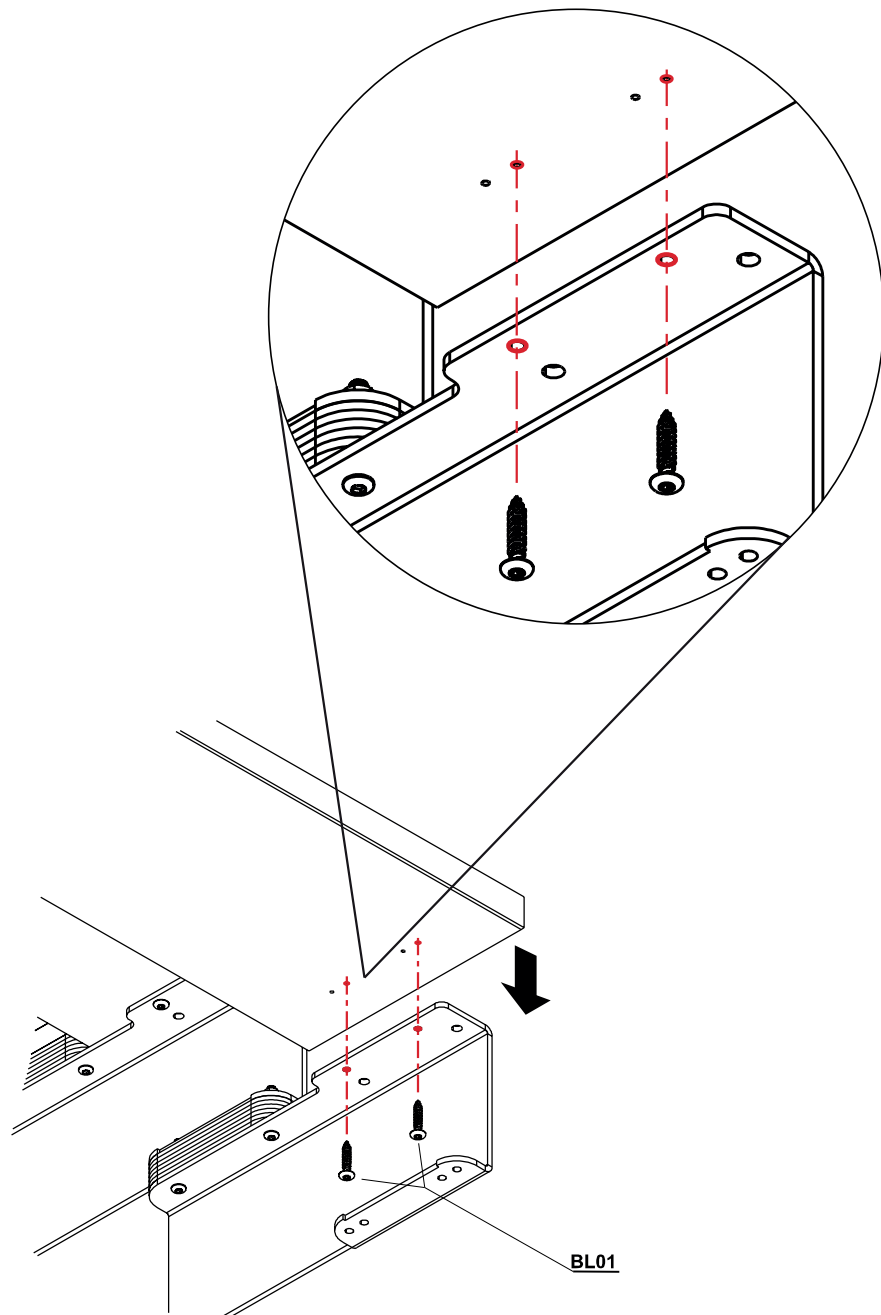
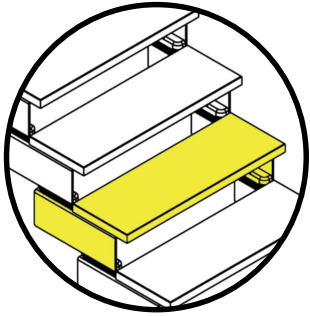
BL 01





 D	
1 ÷ 4	BM04 M8X40
4 ÷ 7	BM02 M8X55
7 ÷ 10	BM01 M8X70





BM 01

BM 02

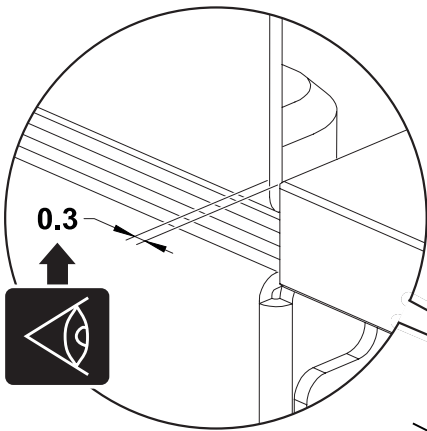
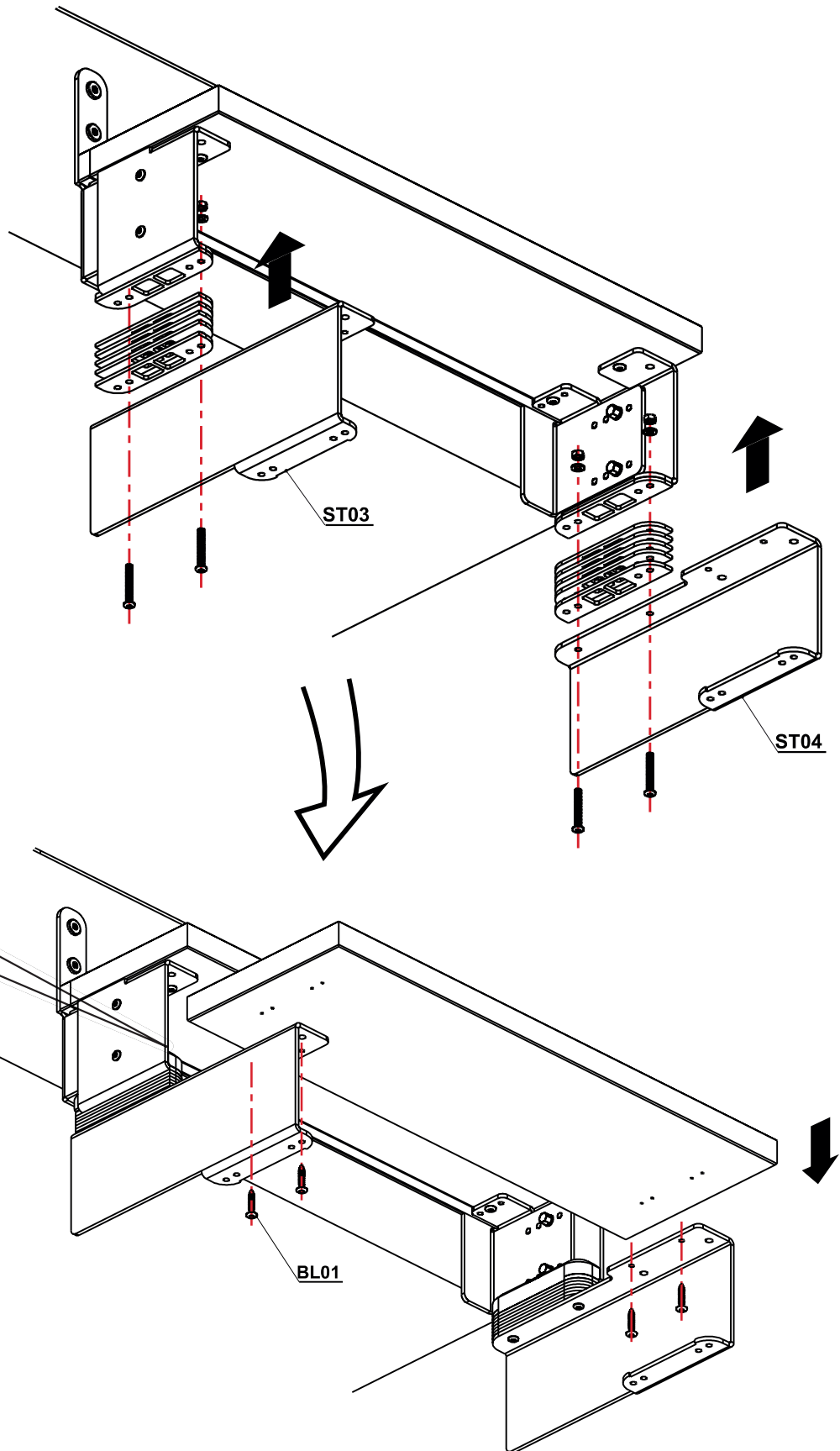
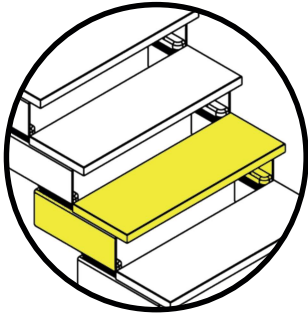
BM 04

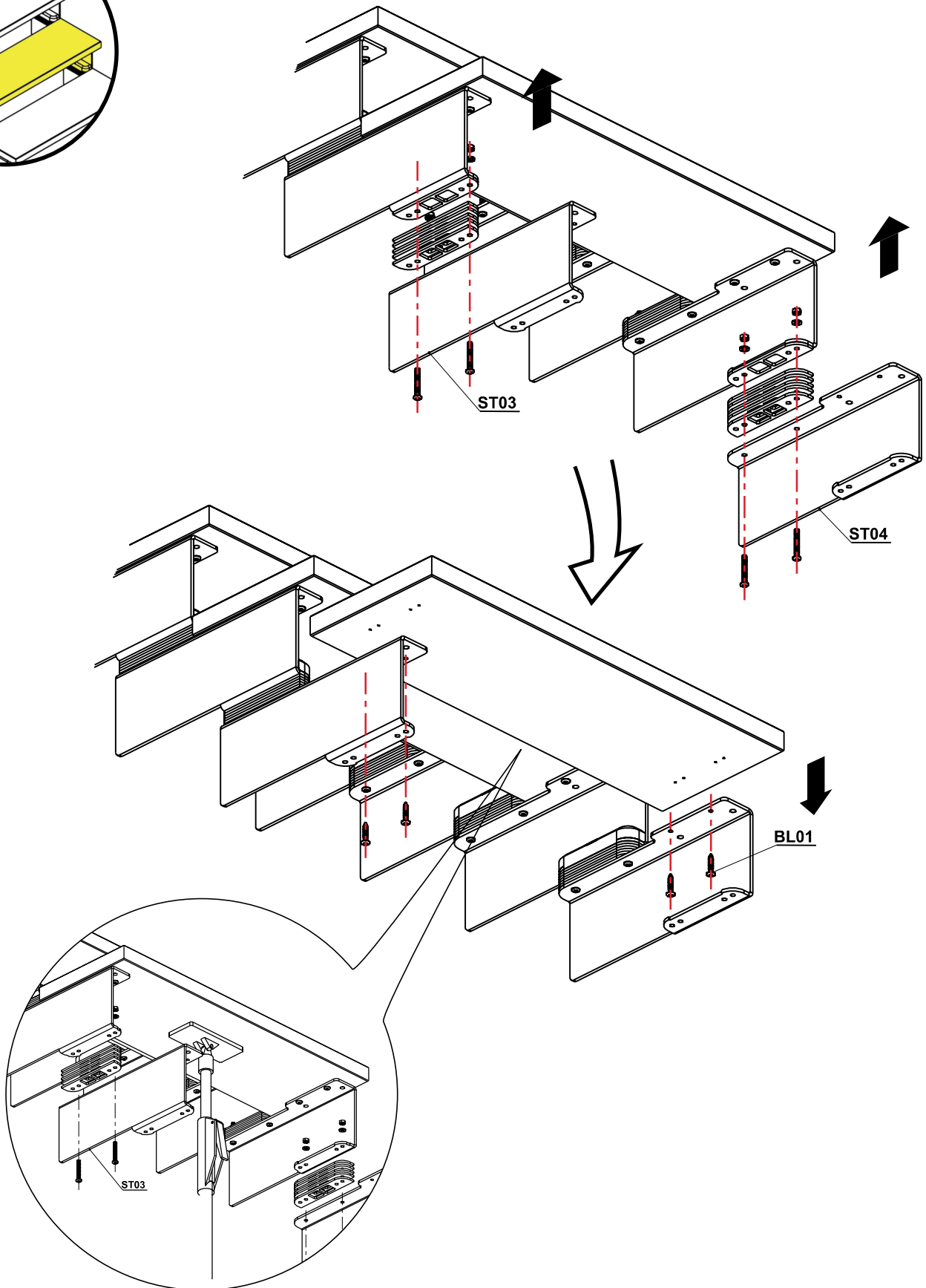
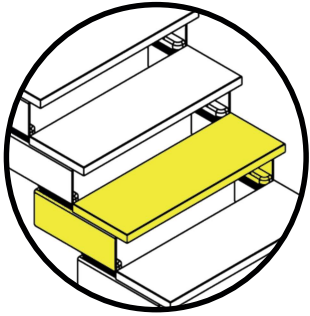
BM 032


BM 34

BL 01

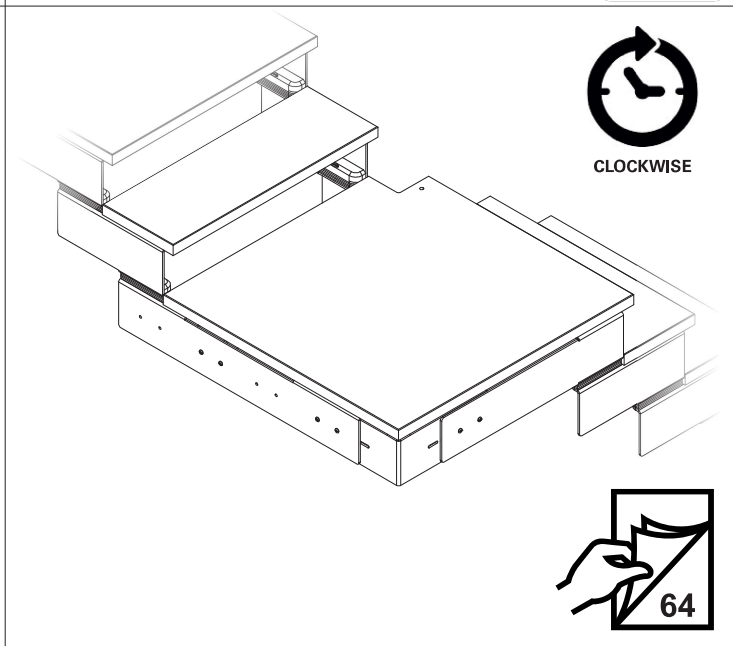
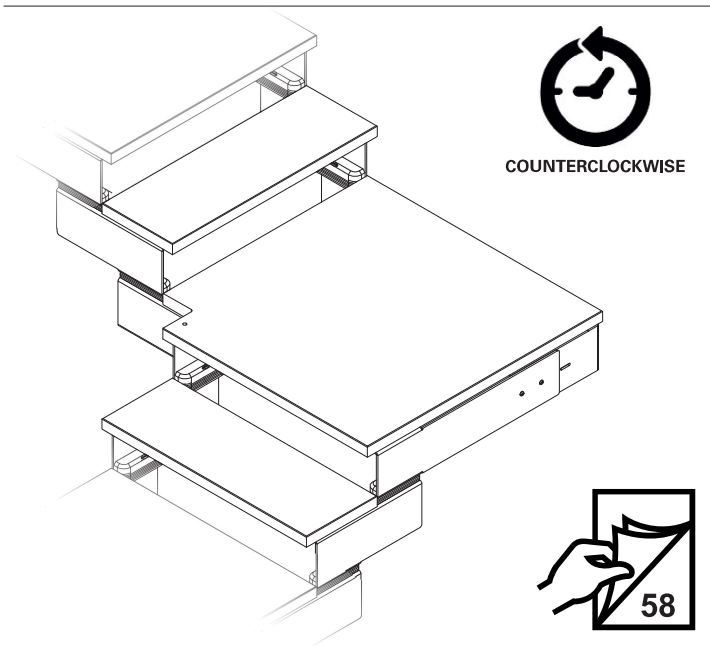
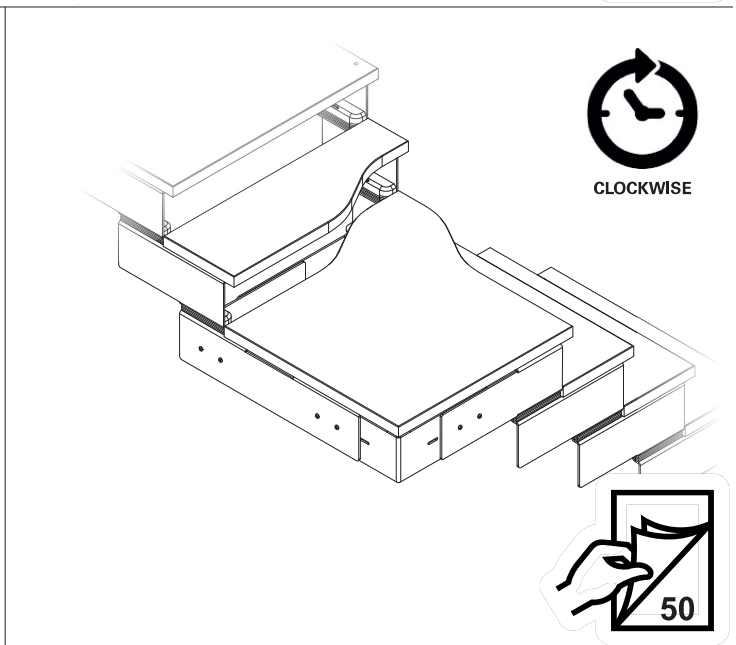
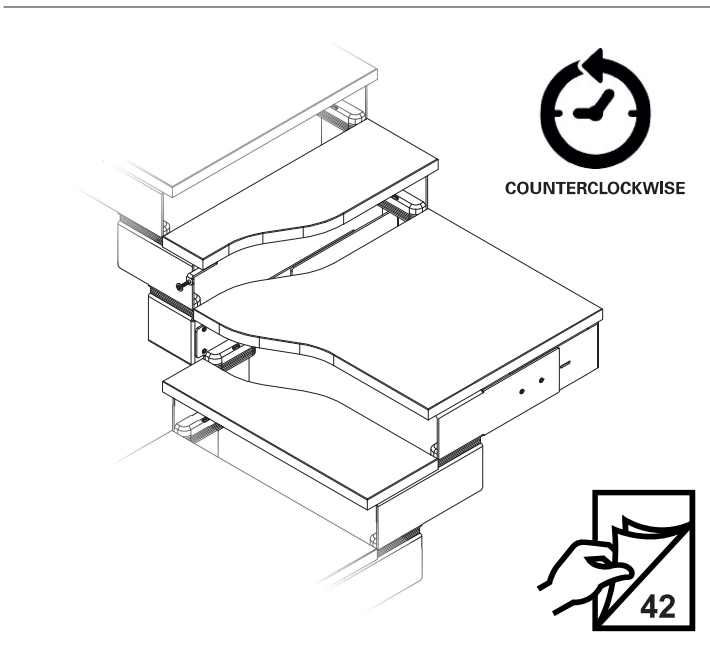
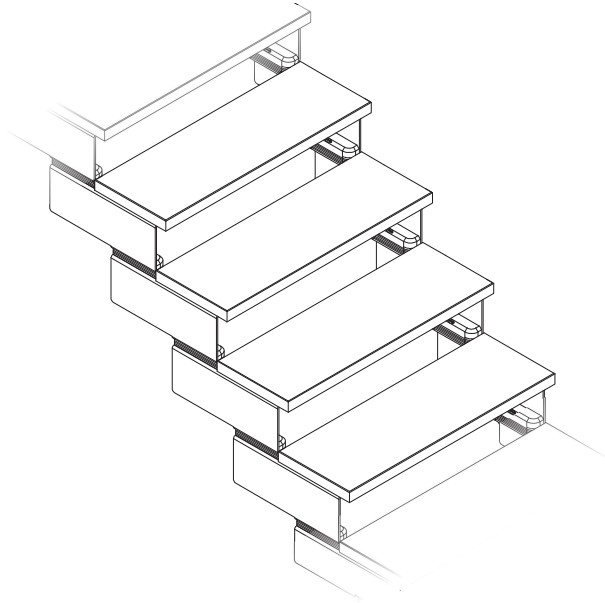


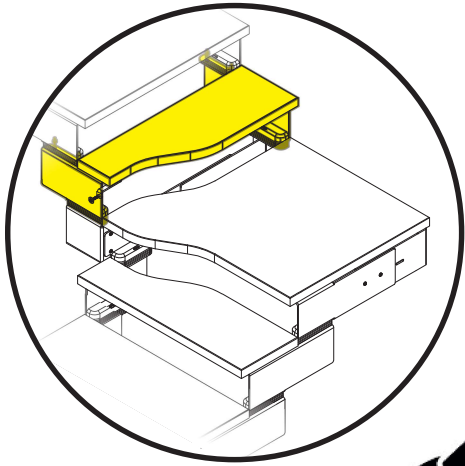




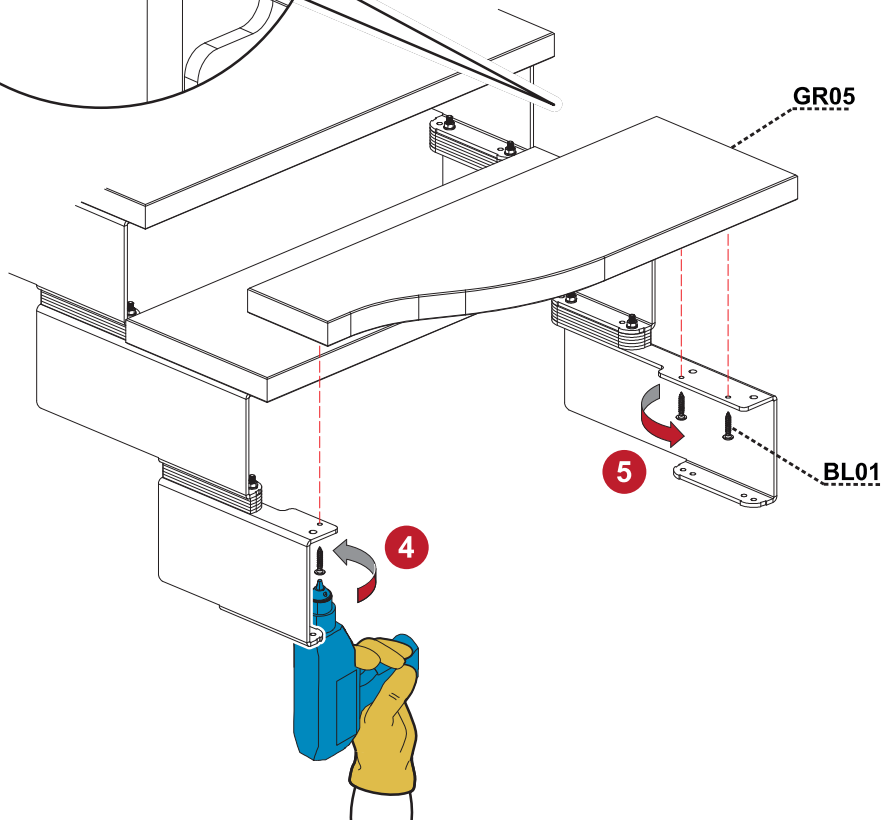
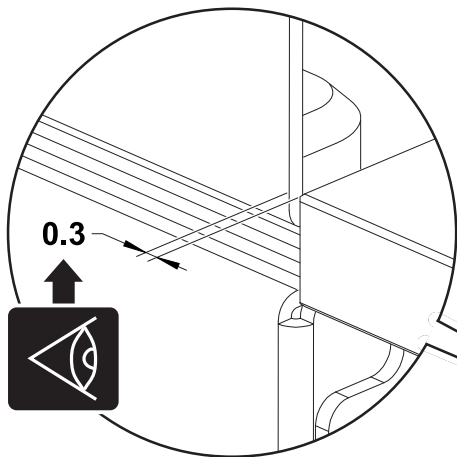
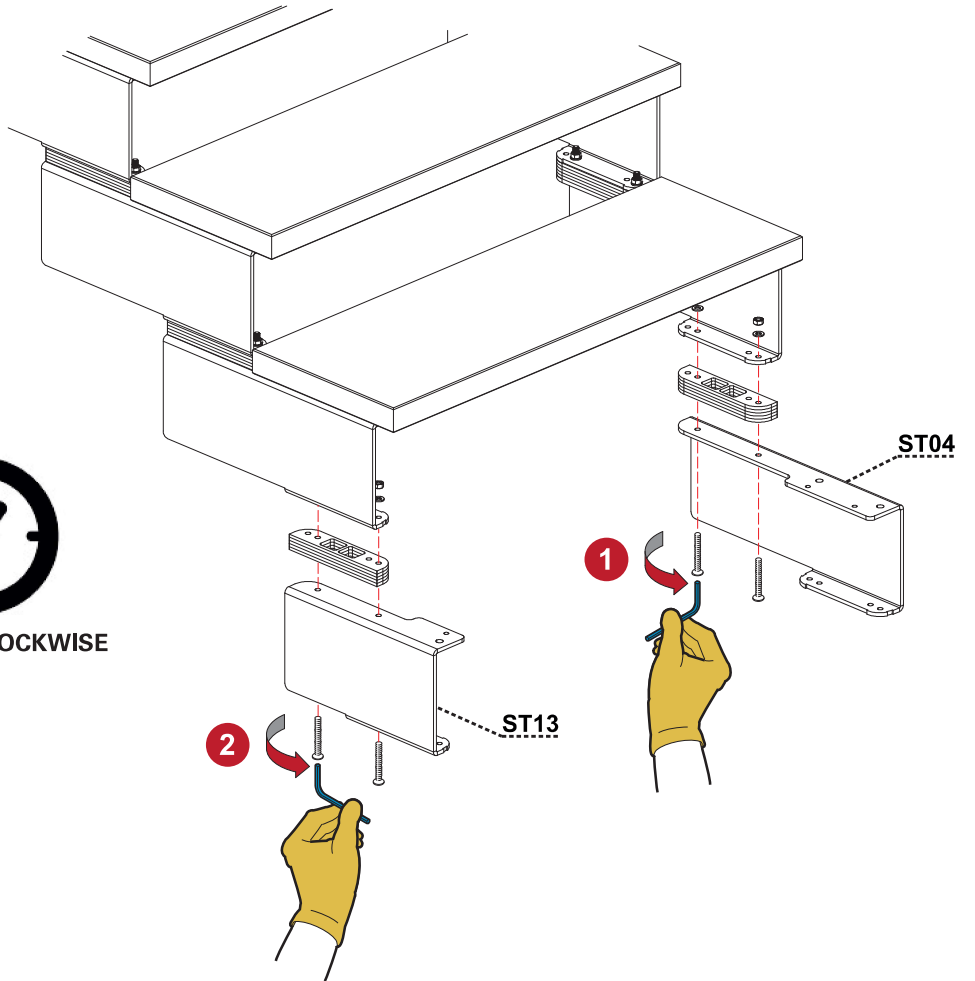
	Composity structure and steps installation manual. Configuration I - L	Code	Rev. 1	Date 29-07-2016
---	---	------	------------------	---------------------------

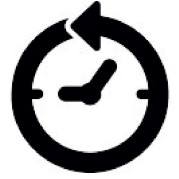
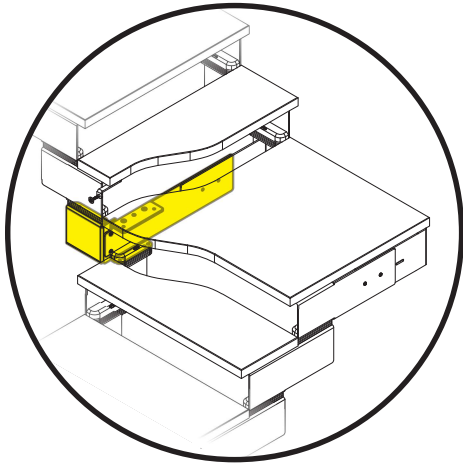






COUNTERCLOCKWISE

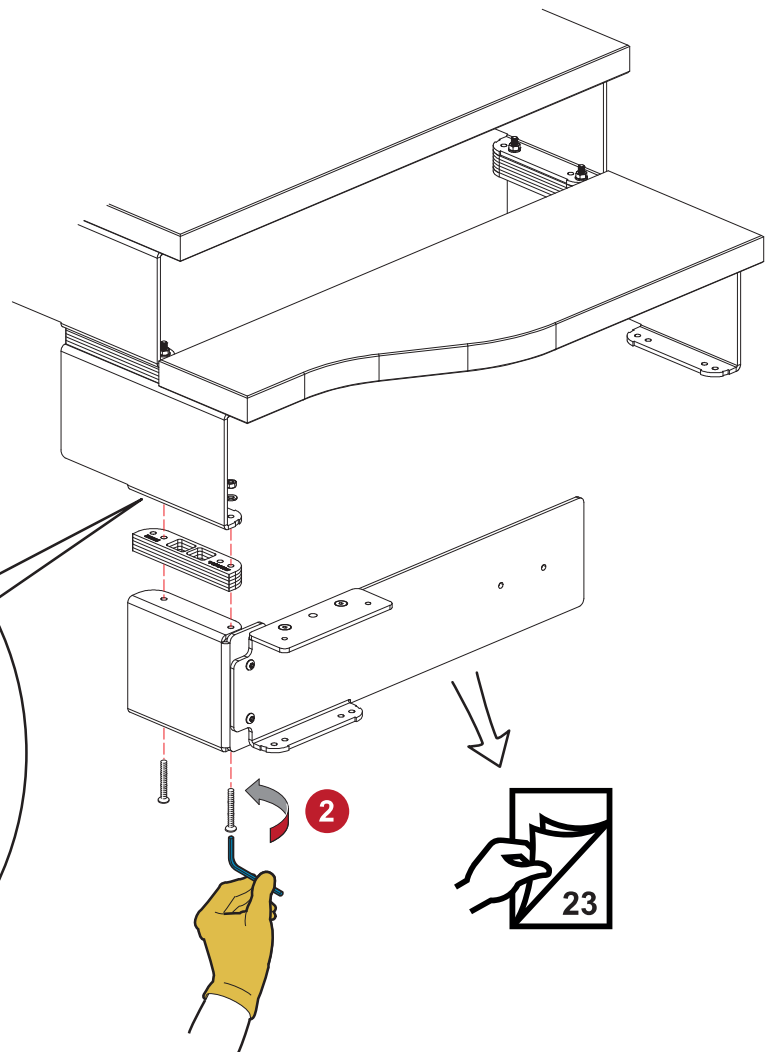
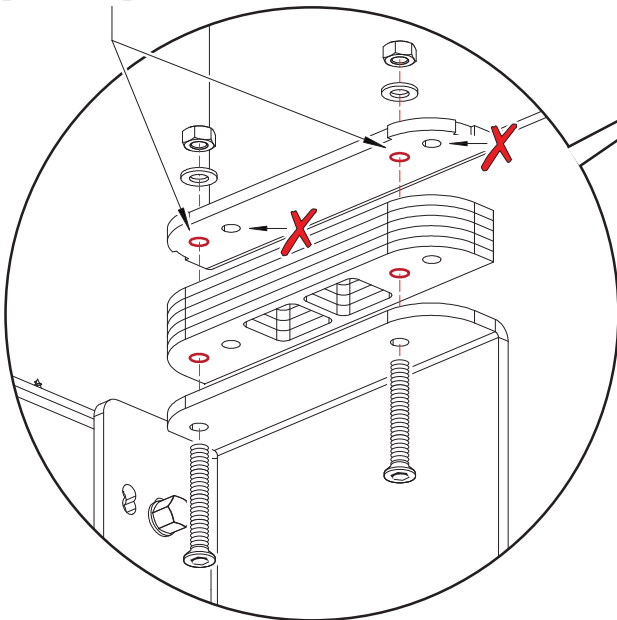


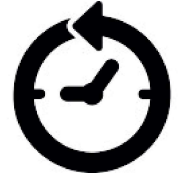
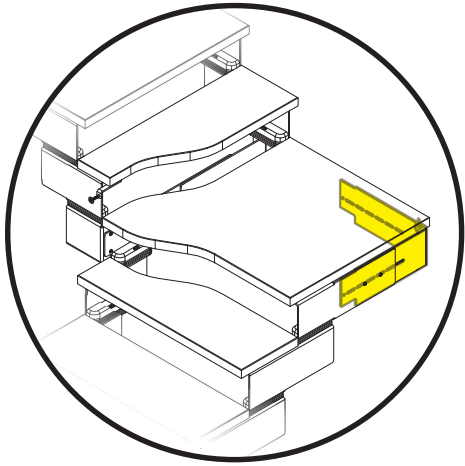


COUNTERCLOCKWISE

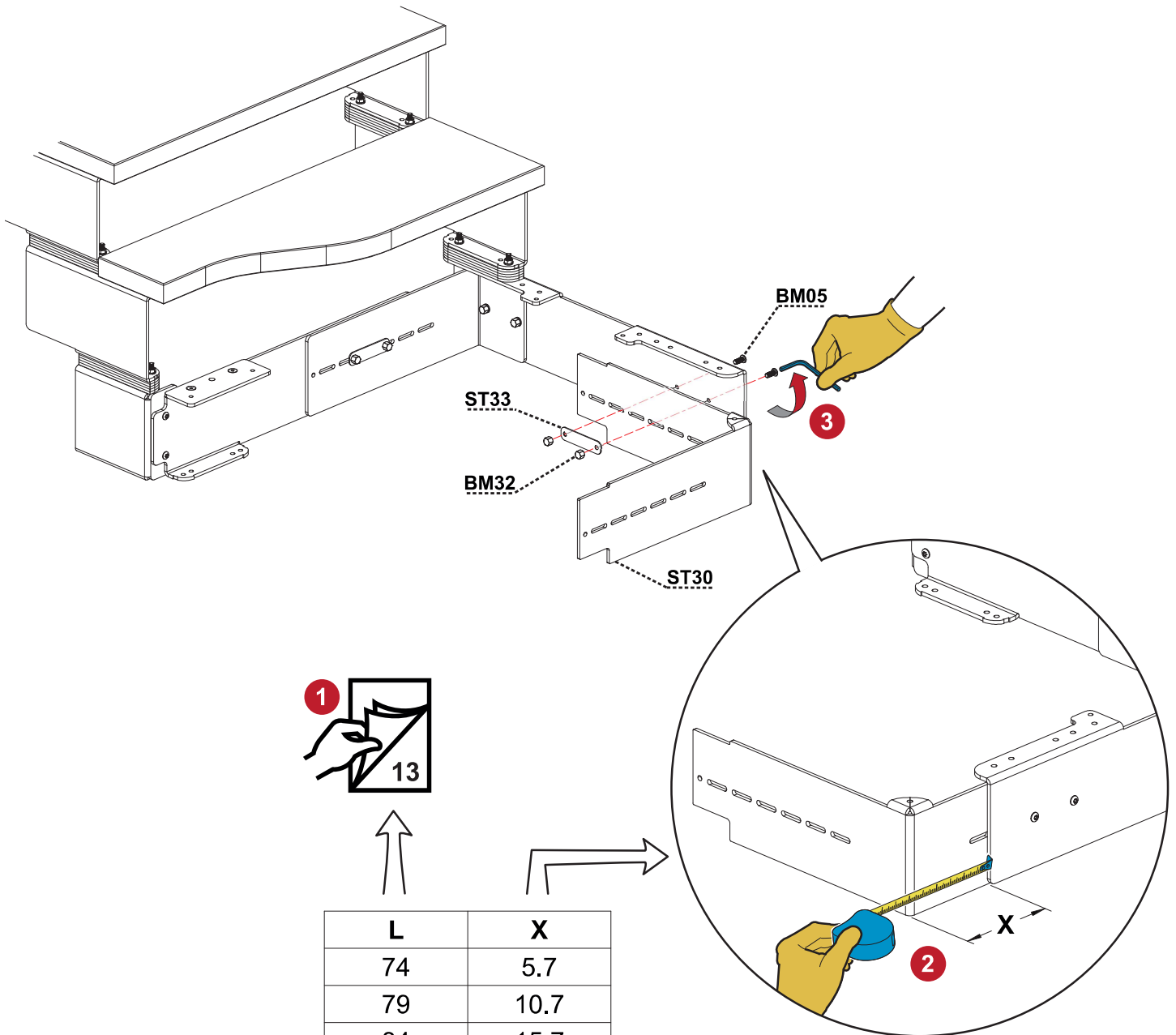


P = 23 / P = 25



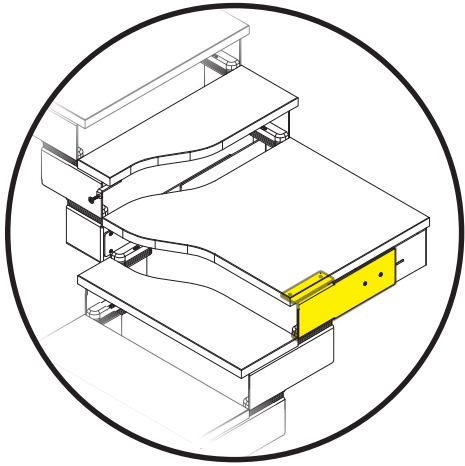


COUNTERCLOCKWISE



L	X
74	5.7
79	10.7
84	15.7
89	20.7
94	25.7

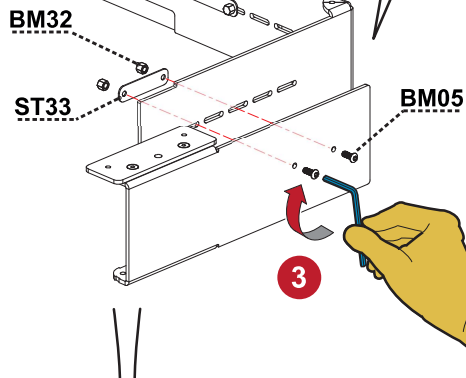
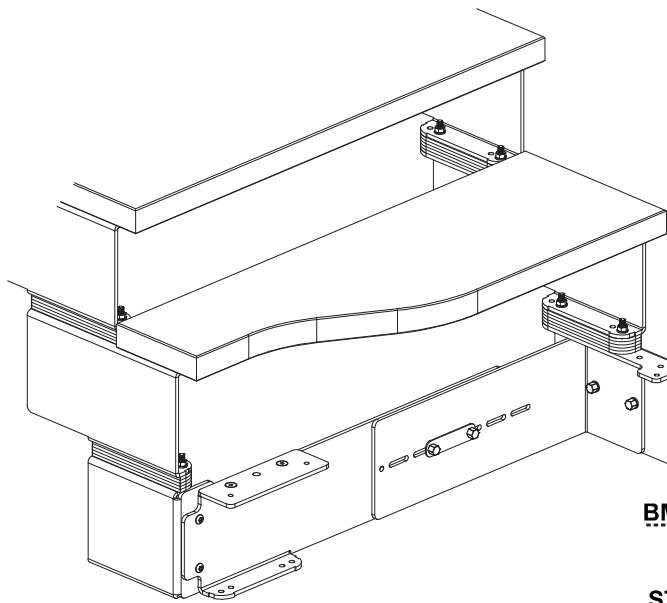
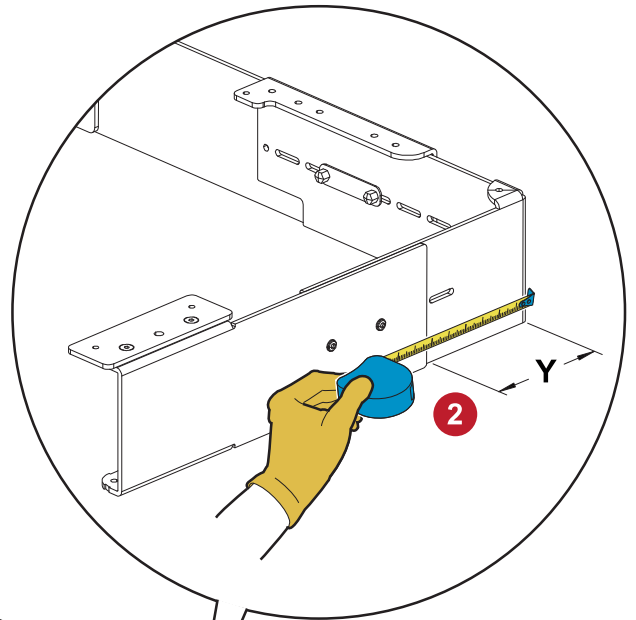


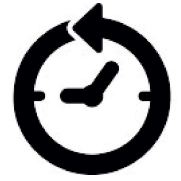
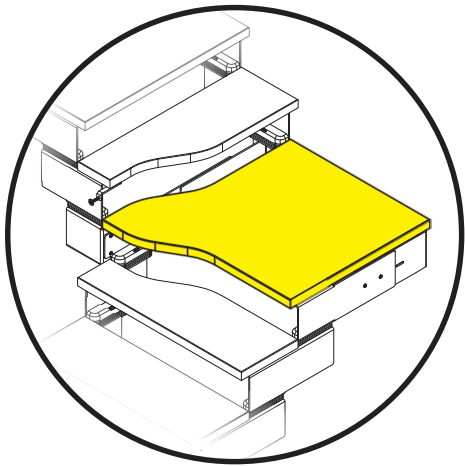


	P = 23	P = 25
L	Y	Y
74	5.1	7.1
79	10.1	12.1
84	15.1	17.1
89	20.1	22.1
94	25.1	27.1

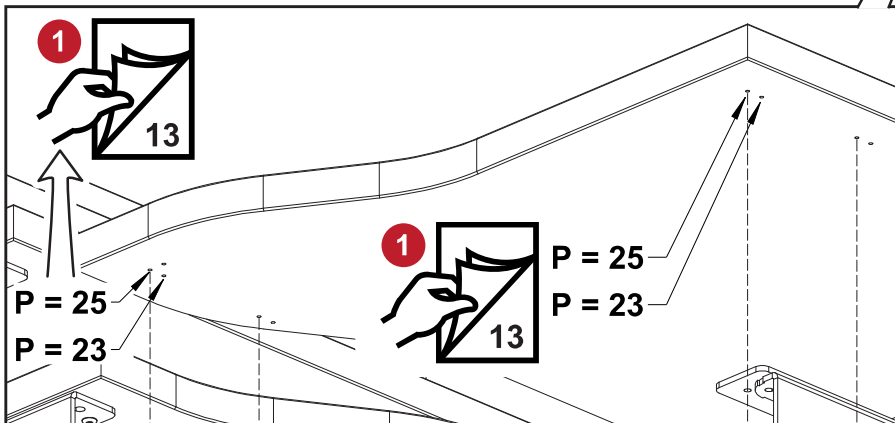
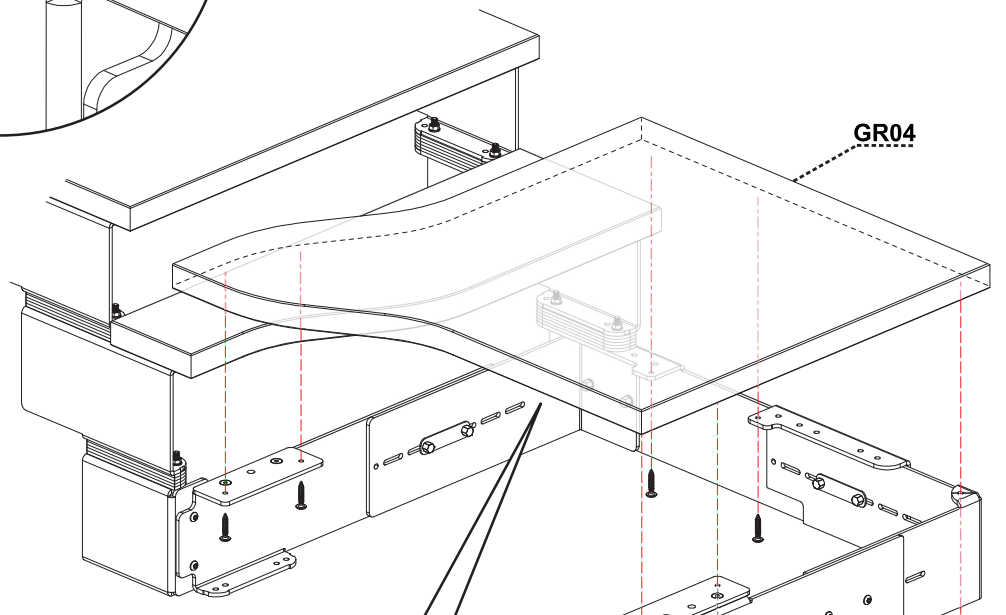
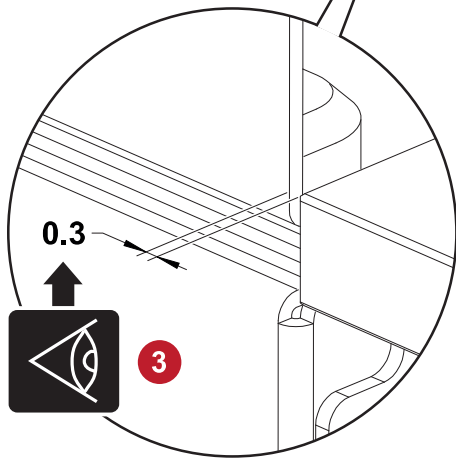
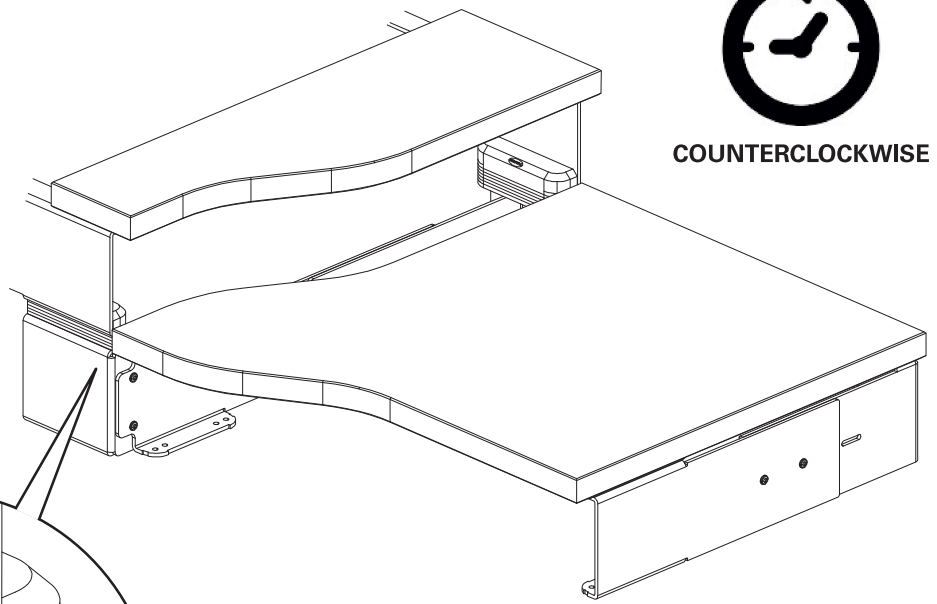


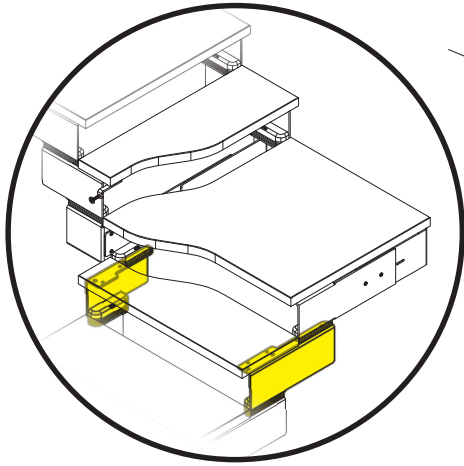
COUNTERCLOCKWISE



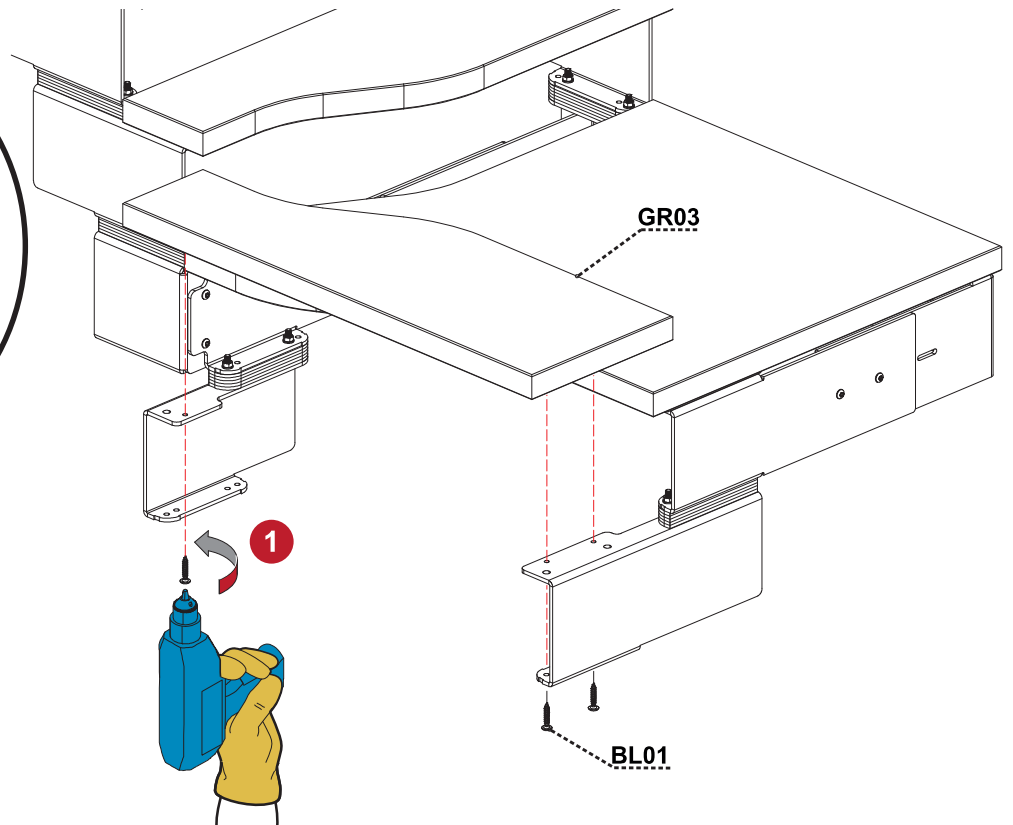
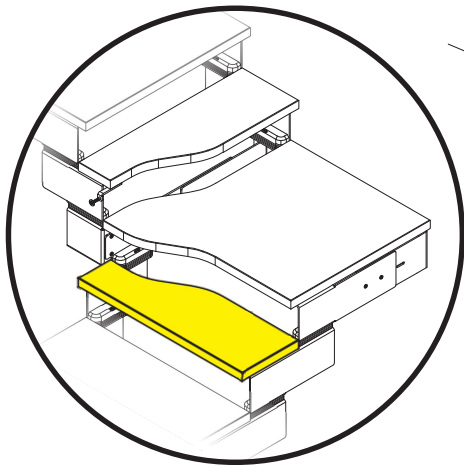
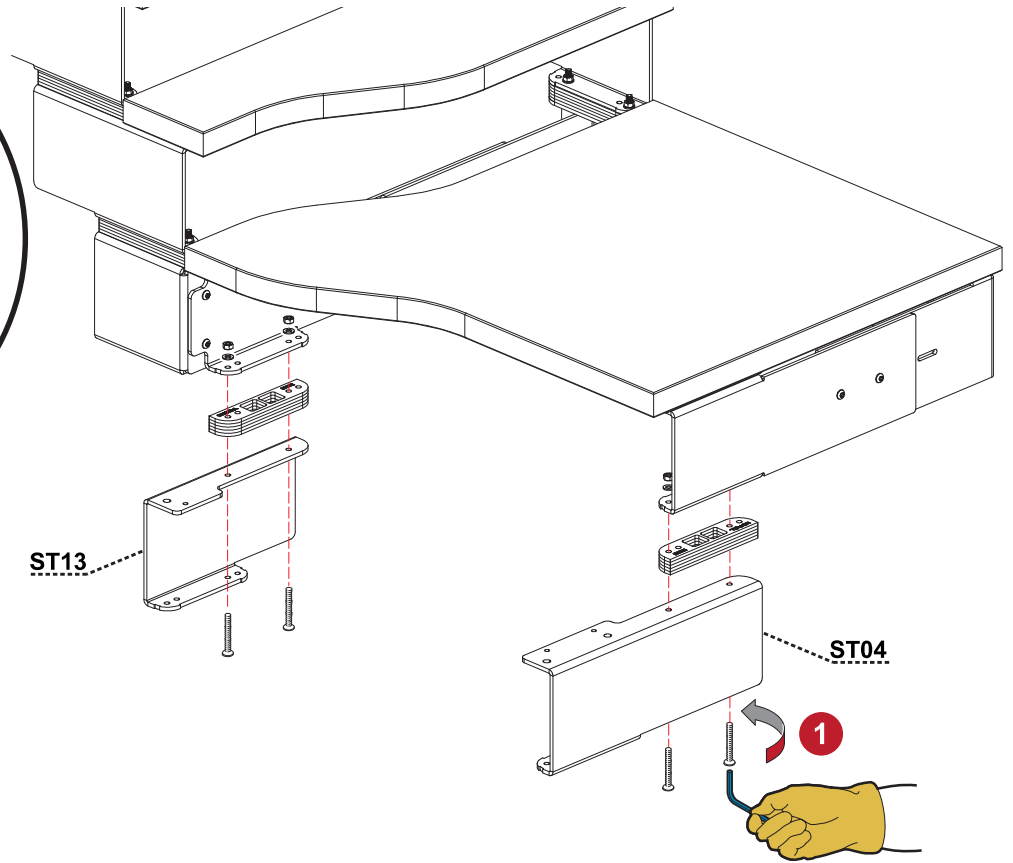


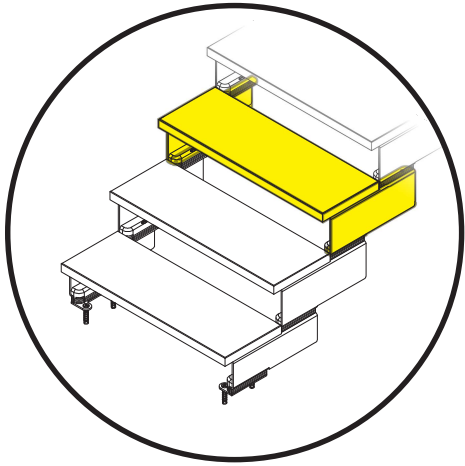
COUNTERCLOCKWISE





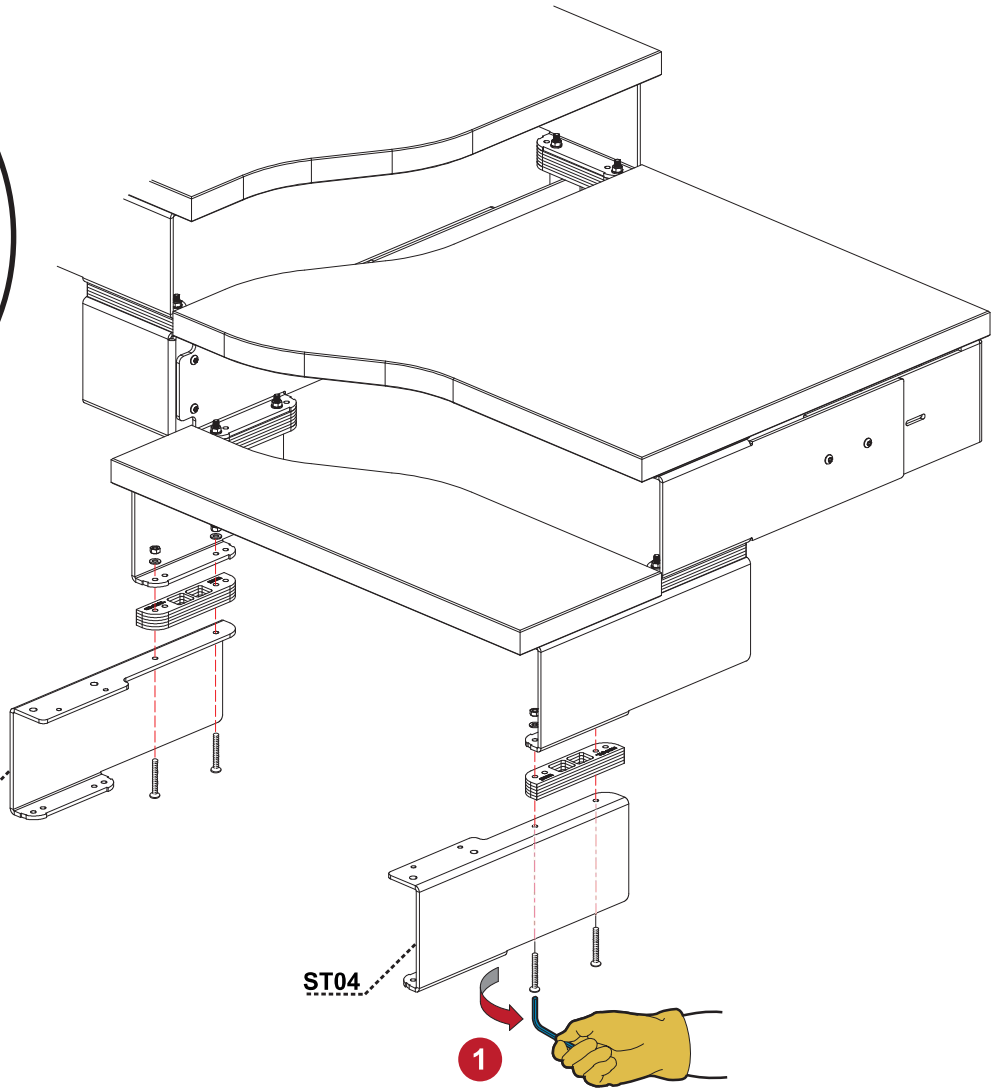
COUNTERCLOCKWISE





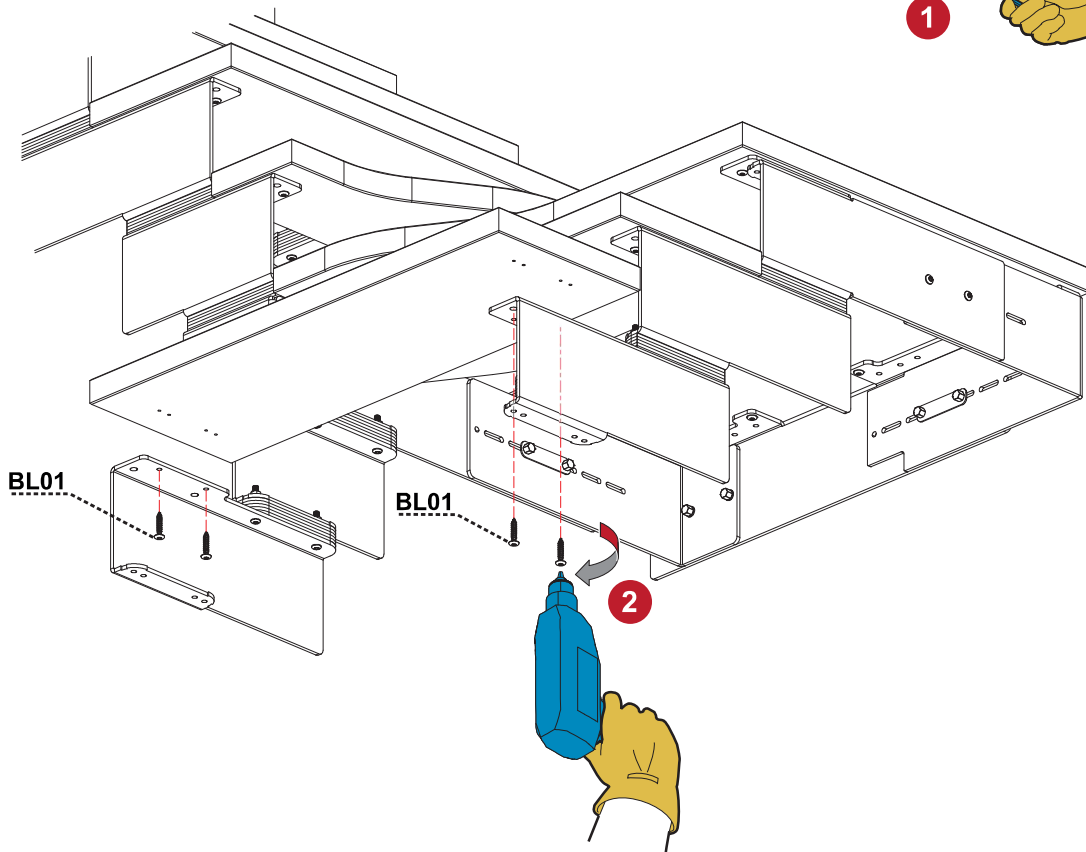
COUNTERCLOCKWISE

ST03



ST04

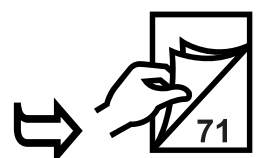
1

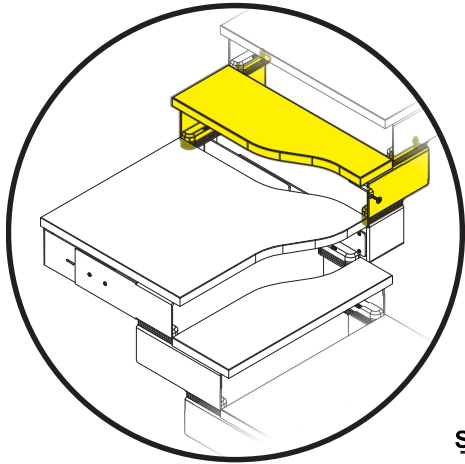


BL01

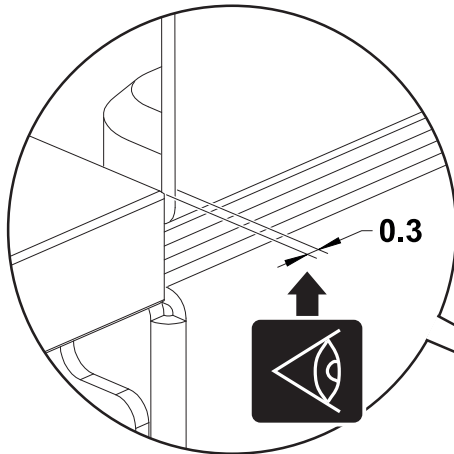
BL01

2





CLOCKWISE



ST03

1

ST14

2

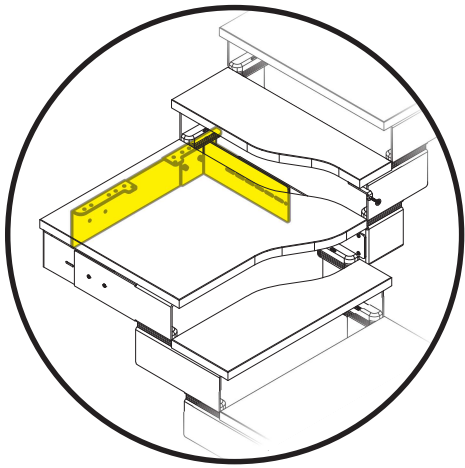
GR03

BL01

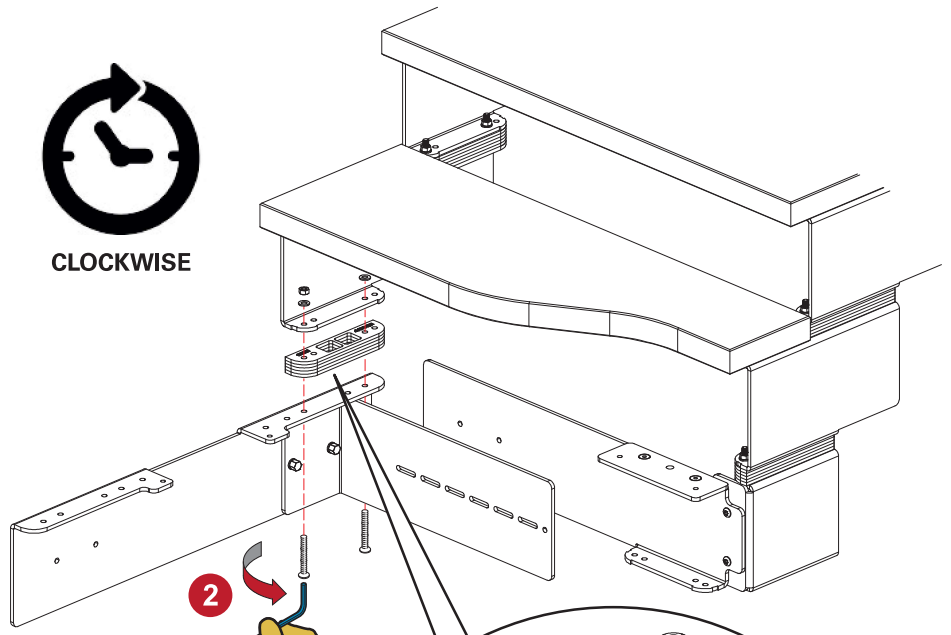
4

3

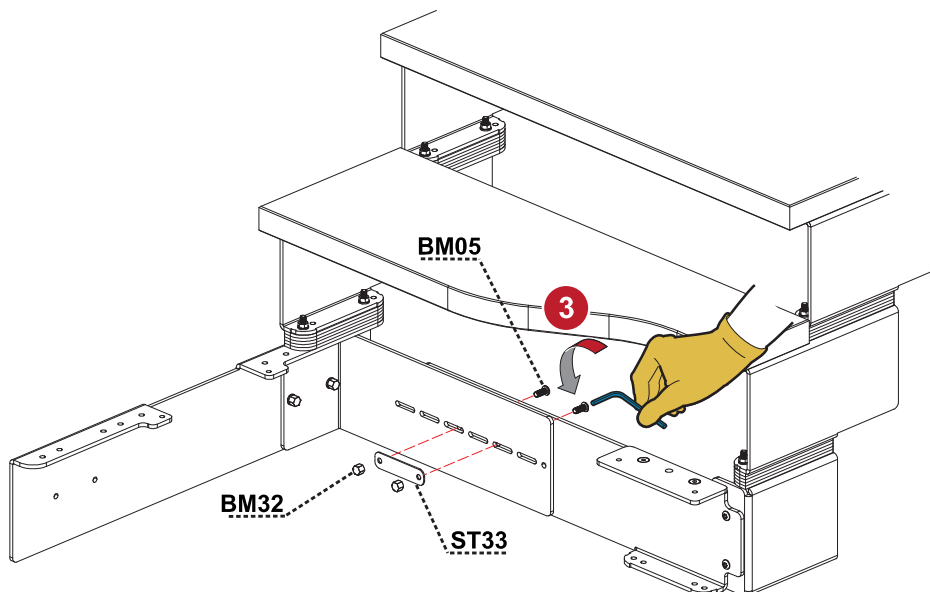
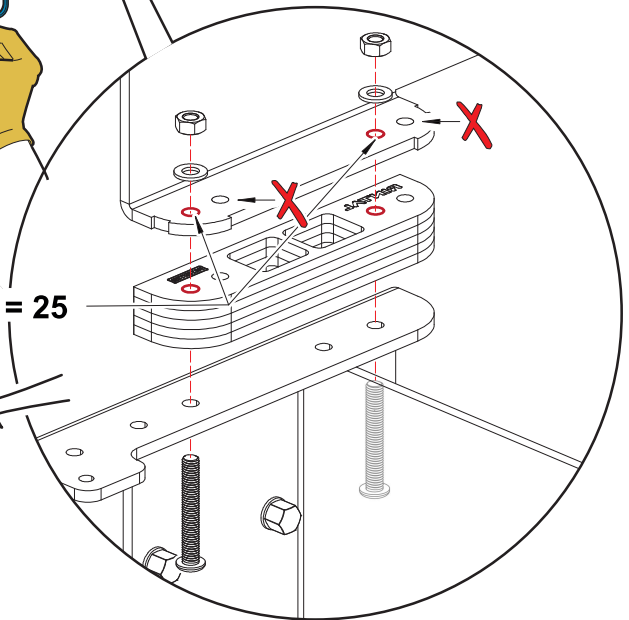




CLOCKWISE

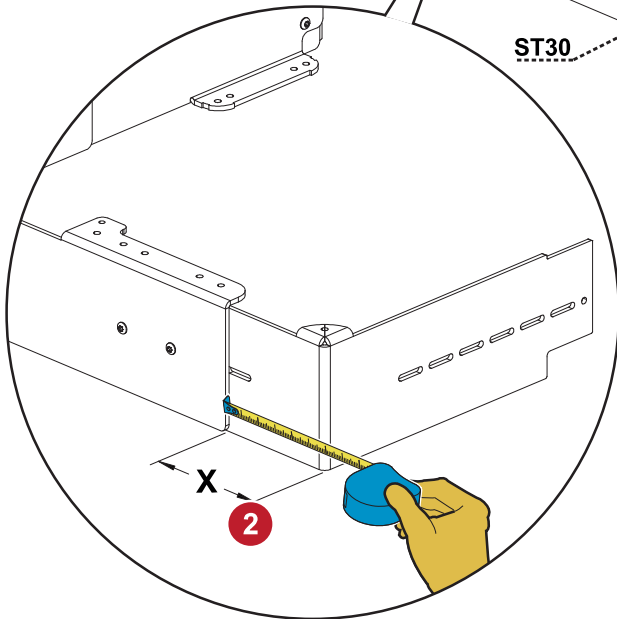
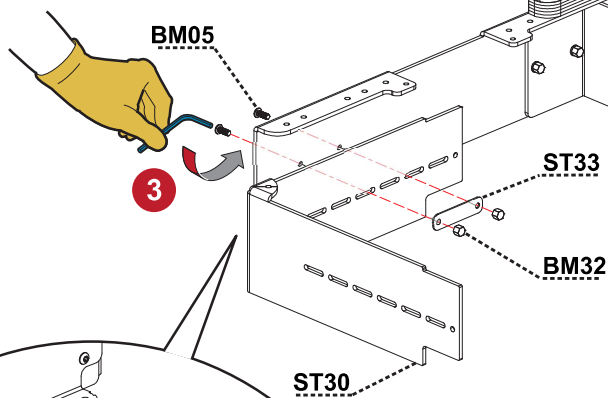
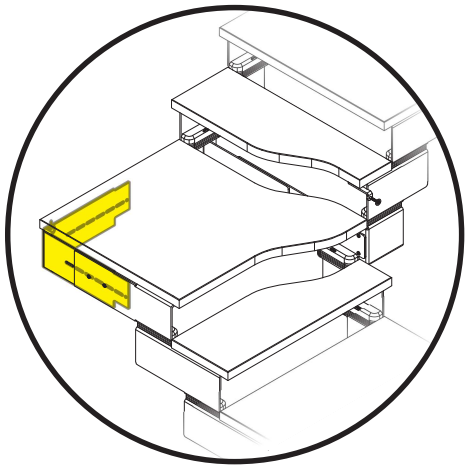


P = 23 / P = 25



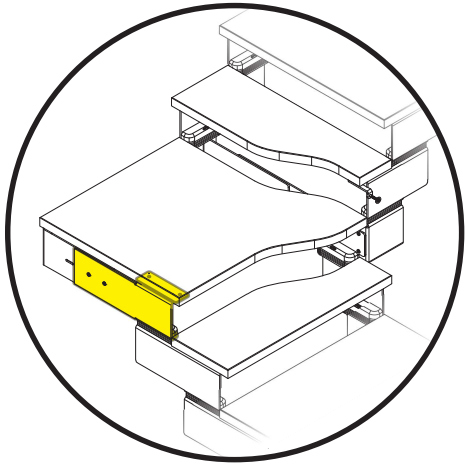


CLOCKWISE

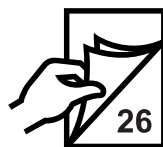
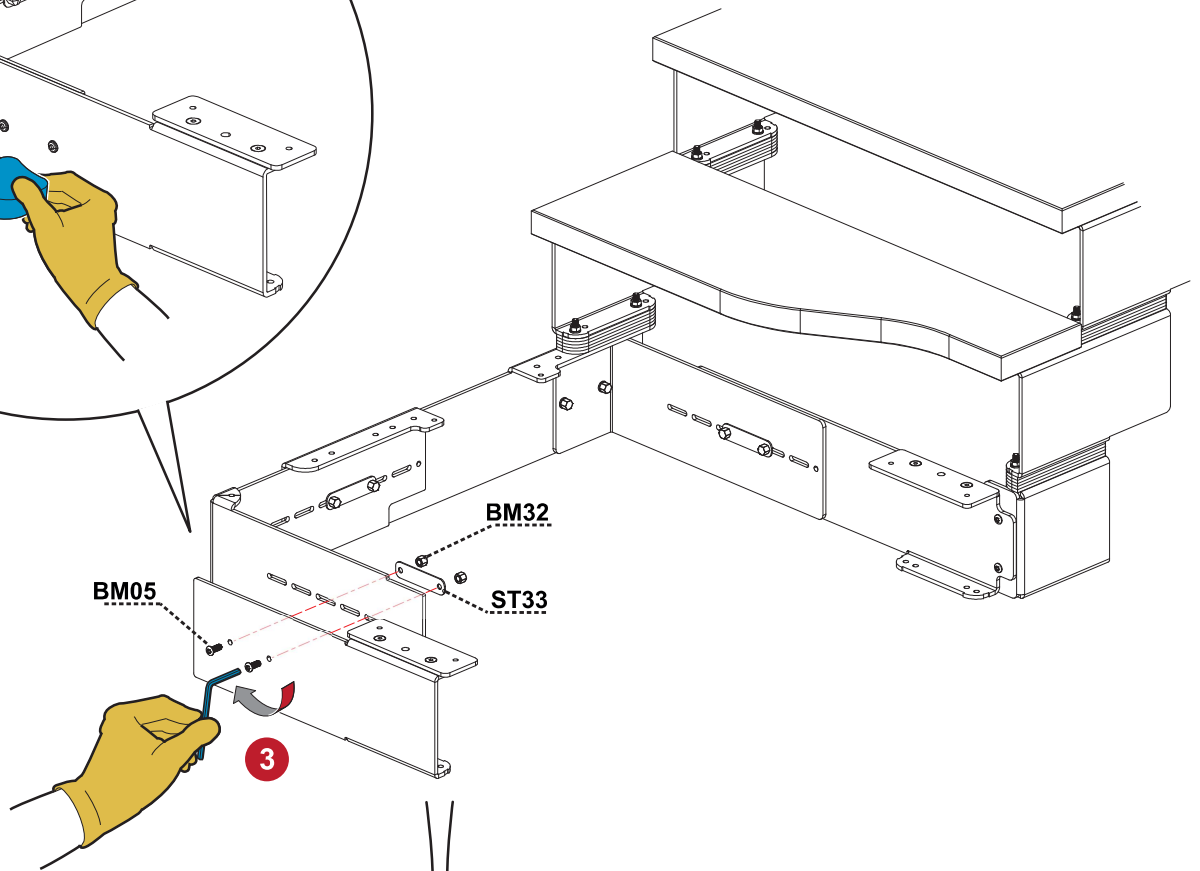
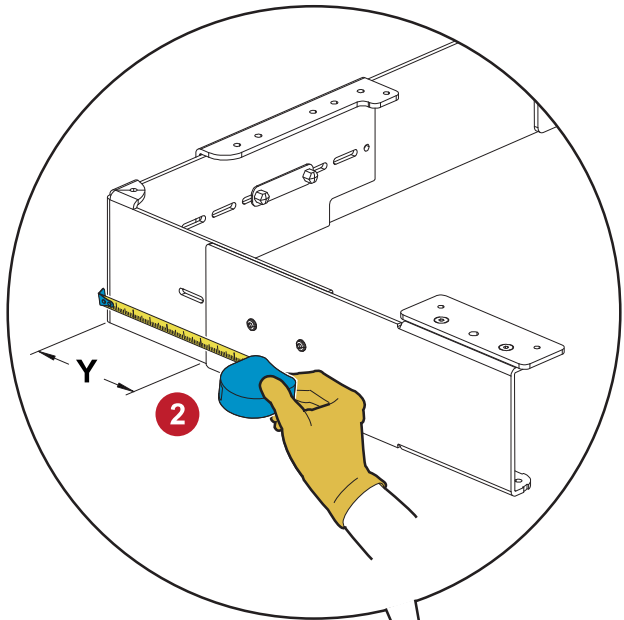
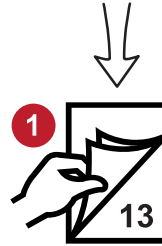


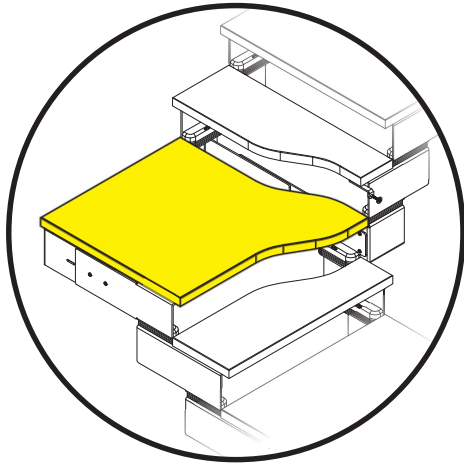
L	X
74	5.7
79	10.7
84	15.7
89	20.7
94	25.7



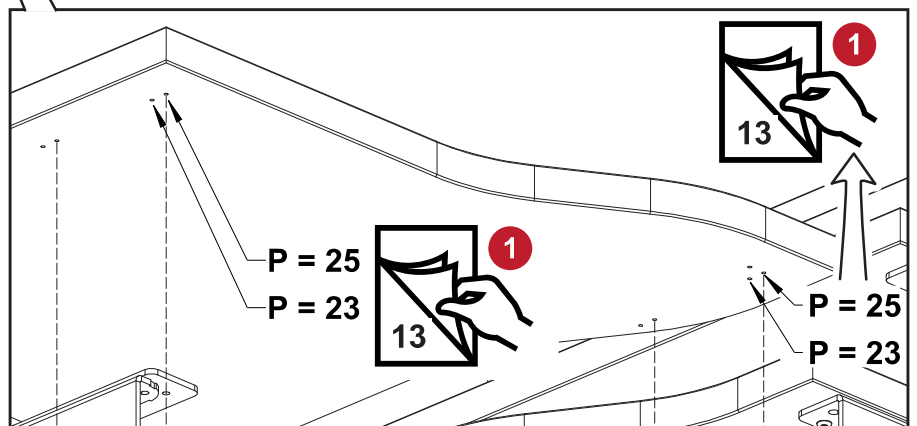
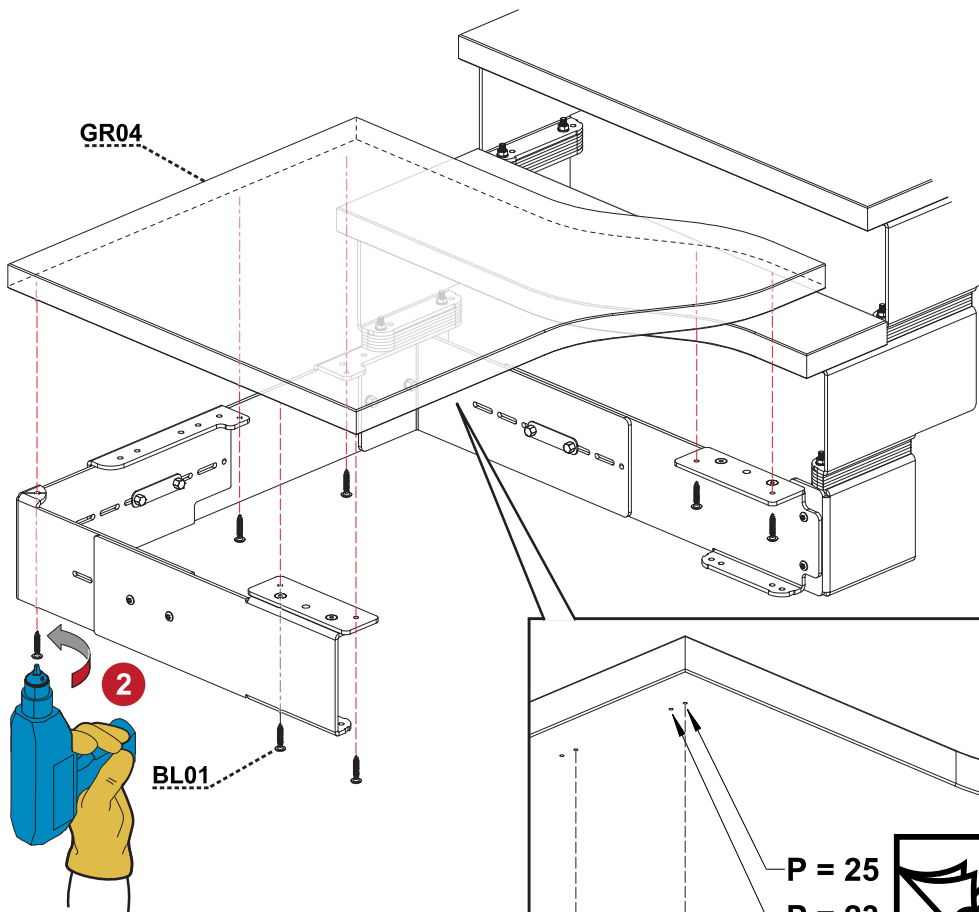
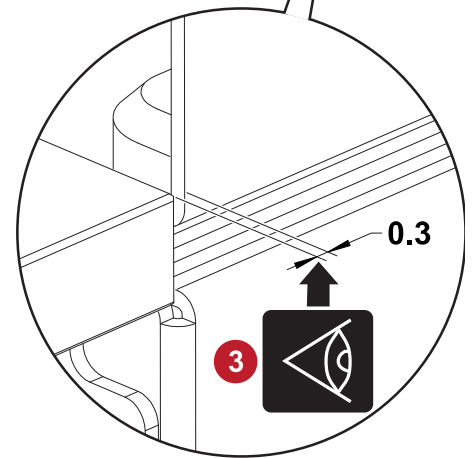
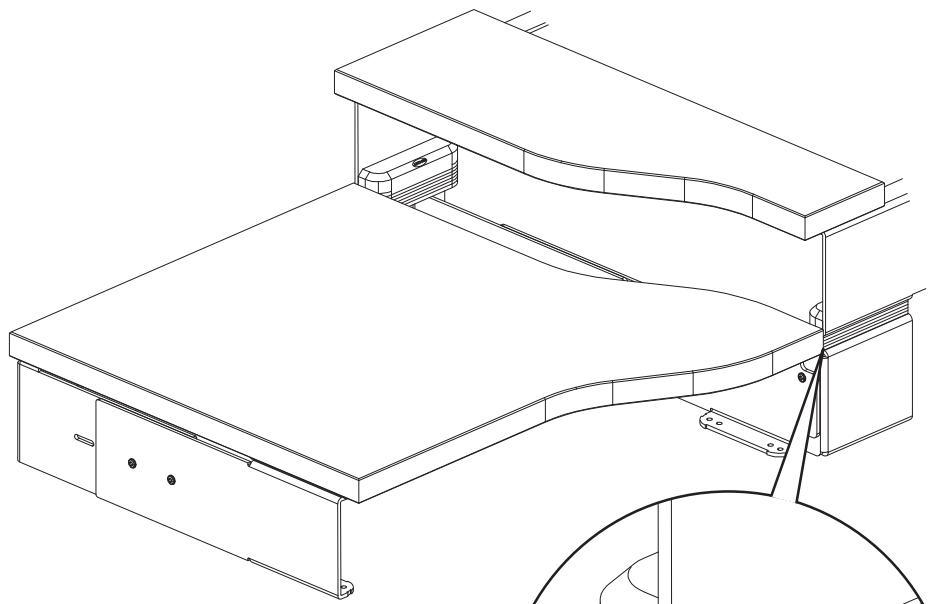


	P = 23	P = 25
L	Y	Y
74	5.1	7.1
79	10.1	12.1
84	15.1	17.1
89	20.1	22.1
94	25.1	27.1



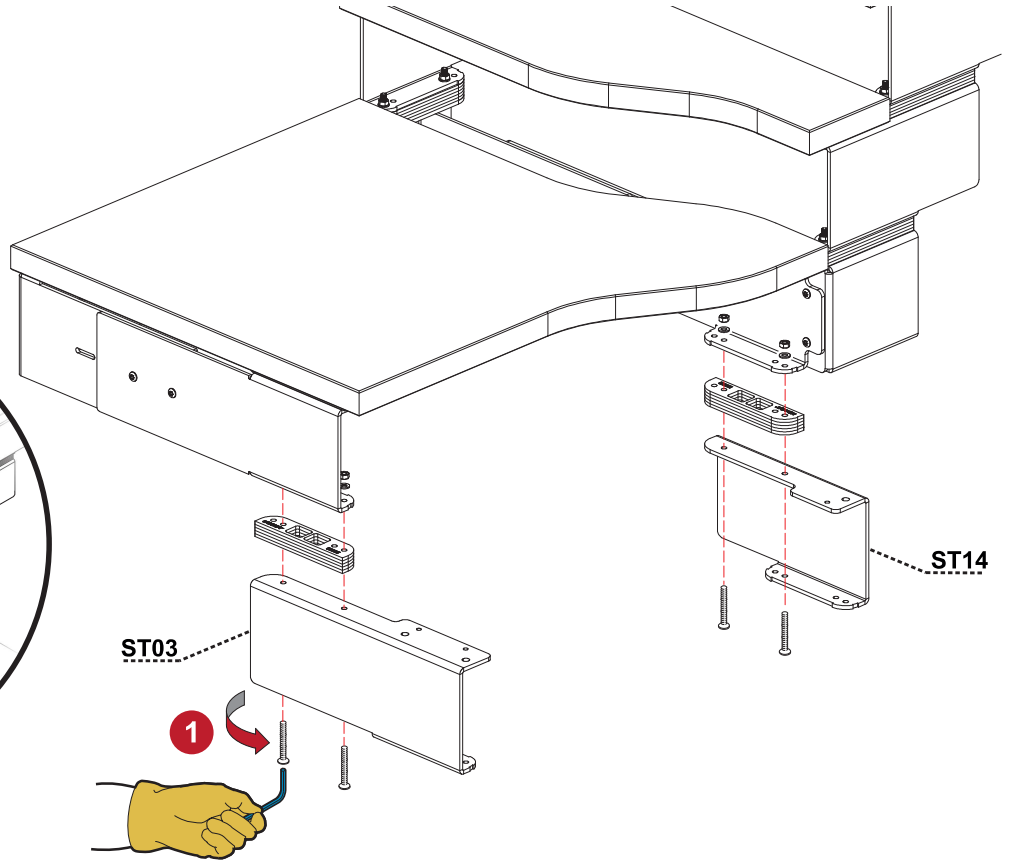
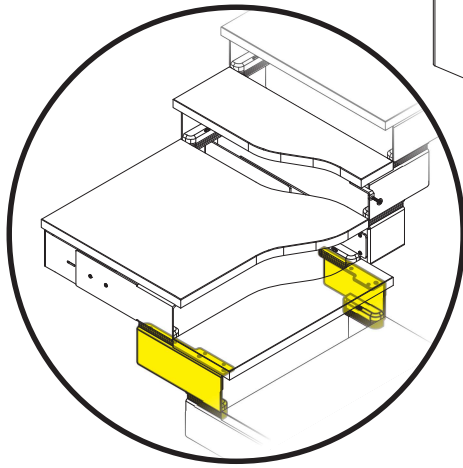


CLOCKWISE





CLOCKWISE



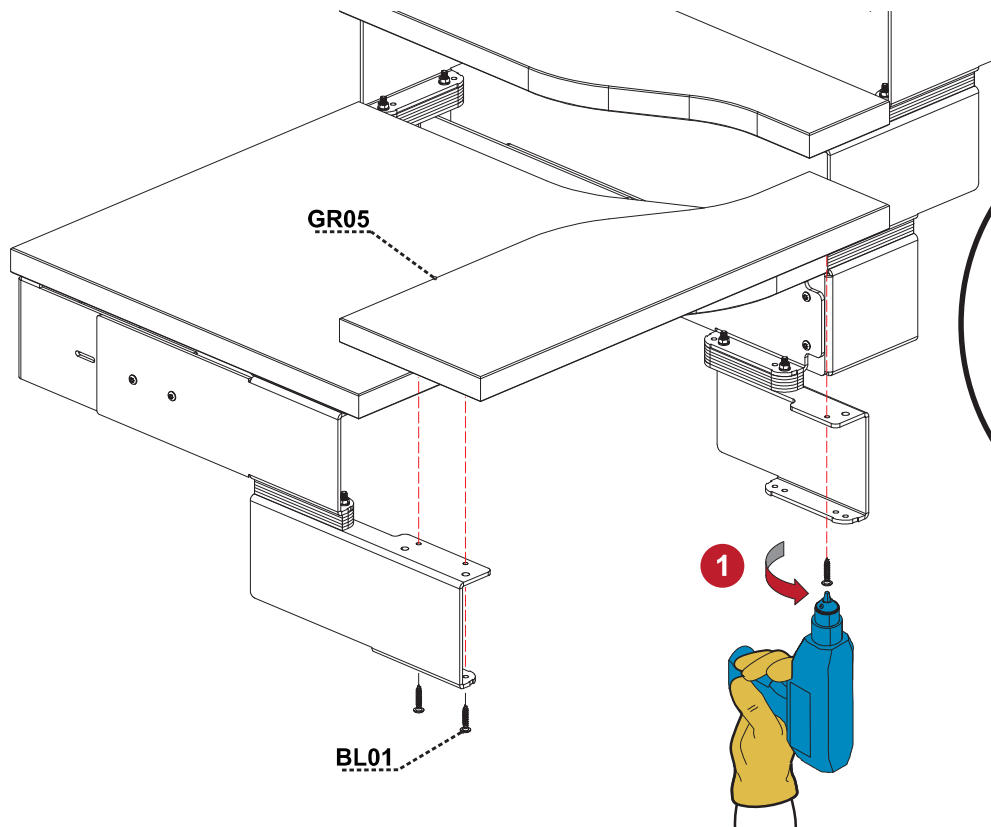
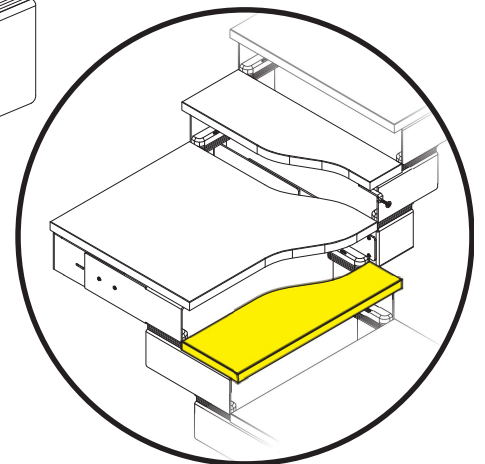
ST03

1

ST14



CLOCKWISE

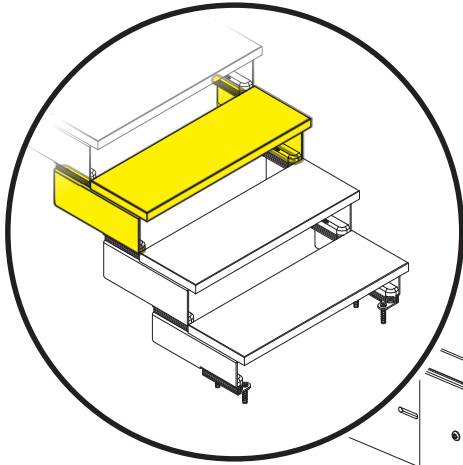


GR05

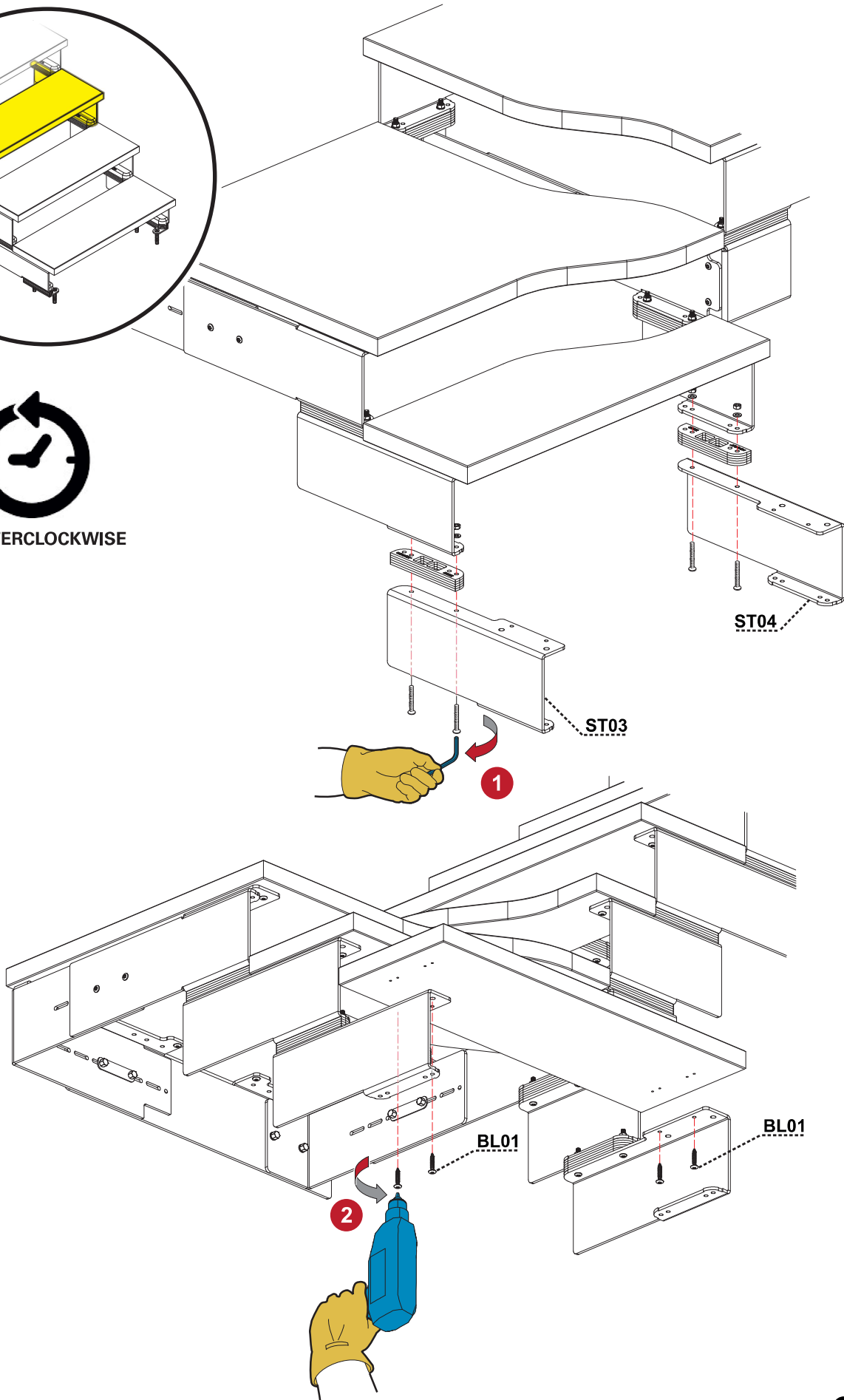
1

BL01





COUNTERCLOCKWISE



ST04

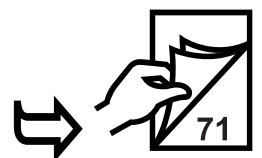
ST03

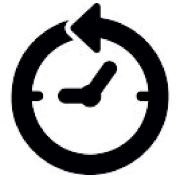
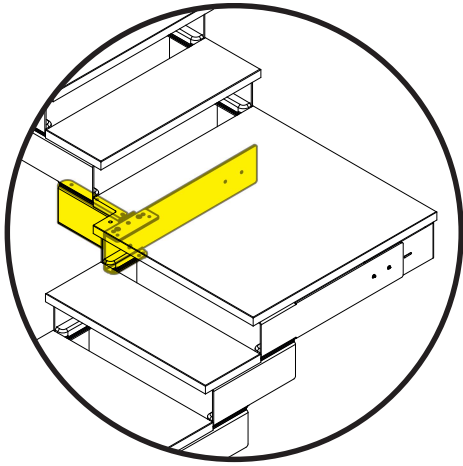
1

BL01

BL01

2



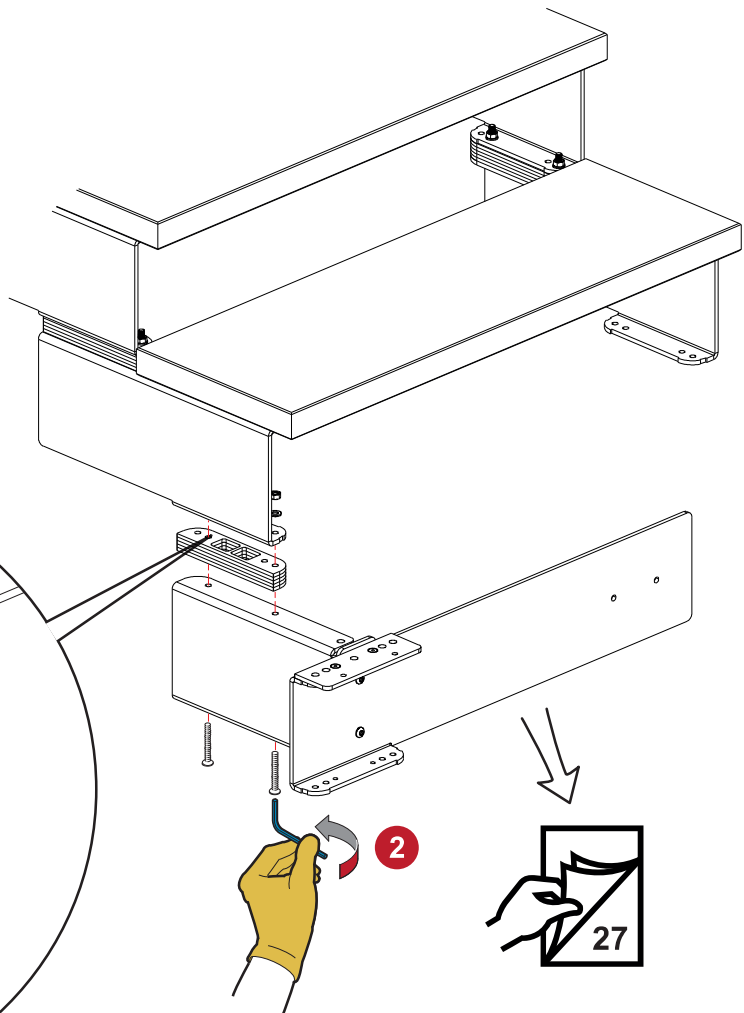
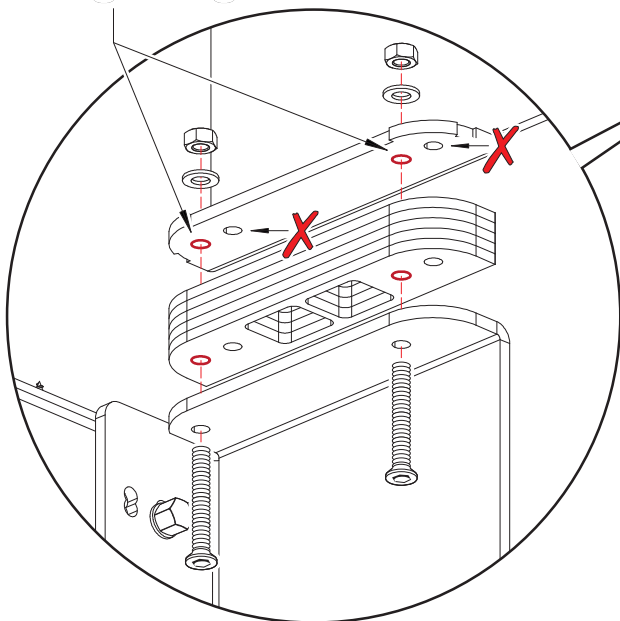


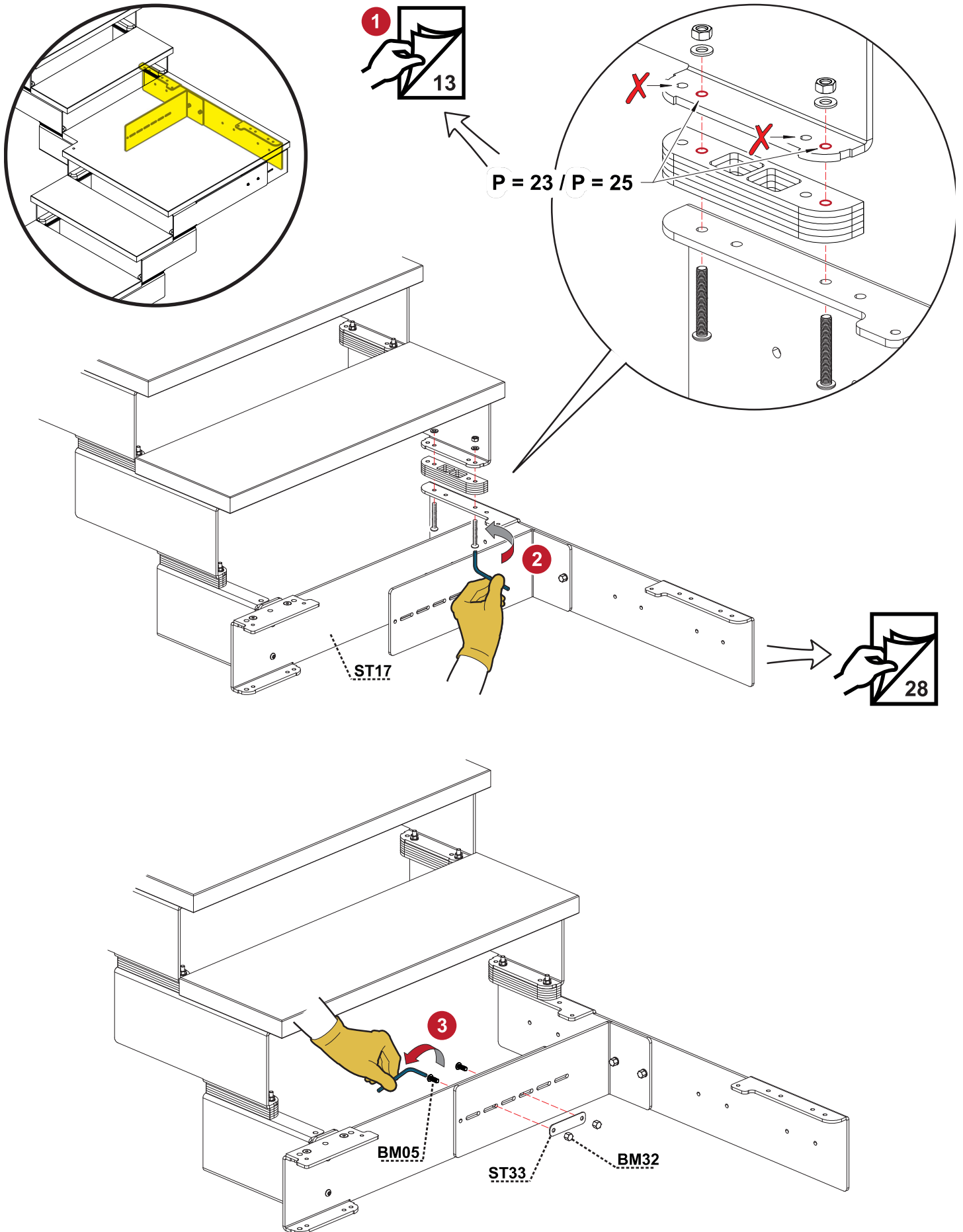
COUNTERCLOCKWISE

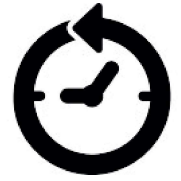
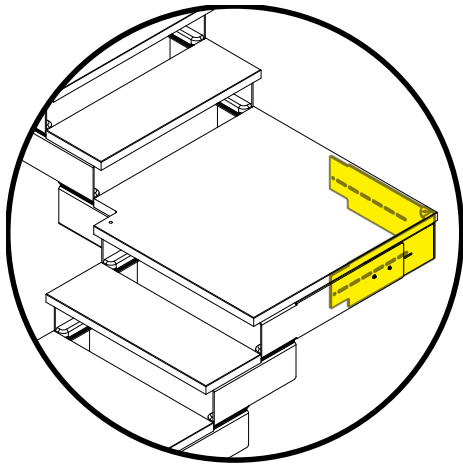


1

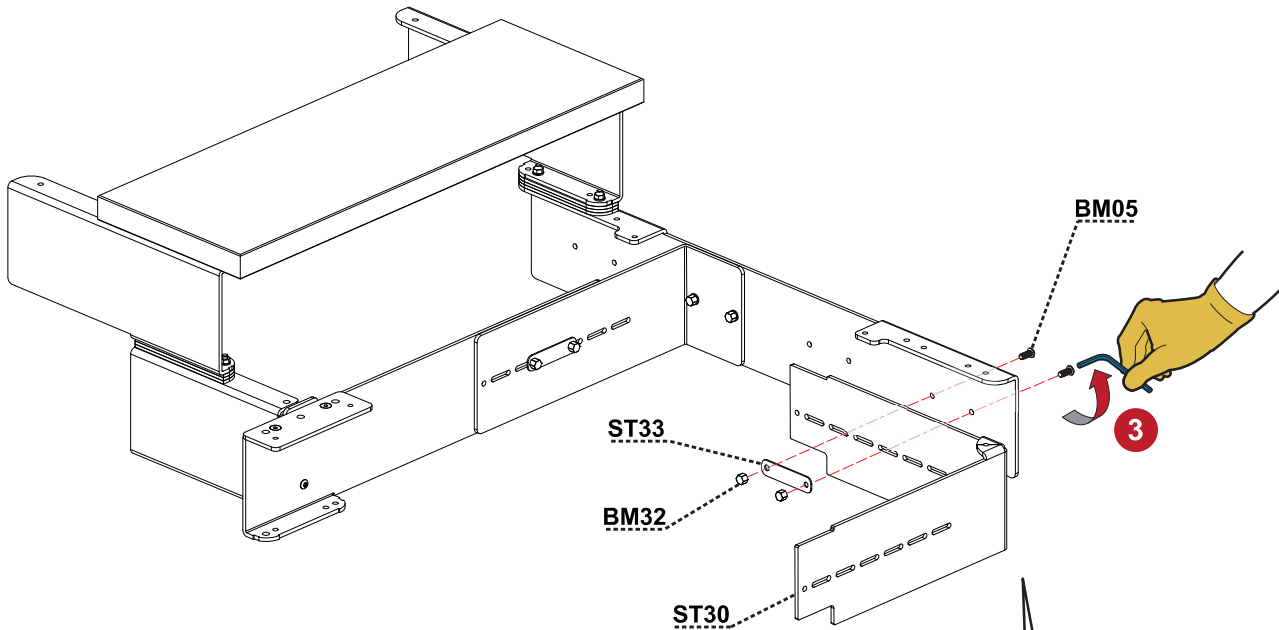
P = 23 / P = 25



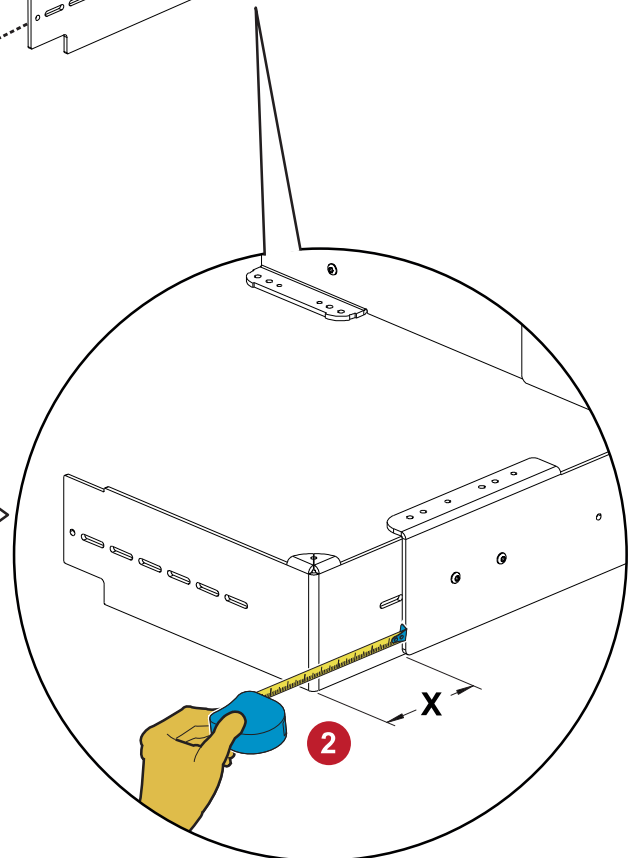


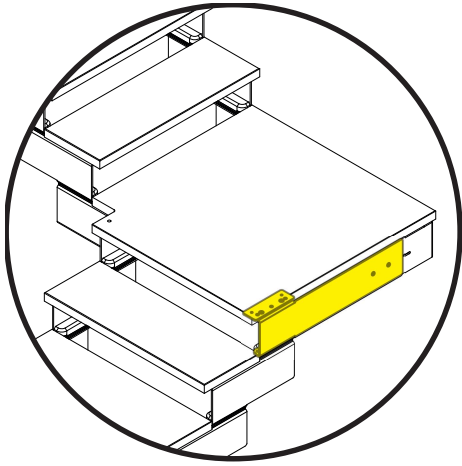


COUNTERCLOCKWISE

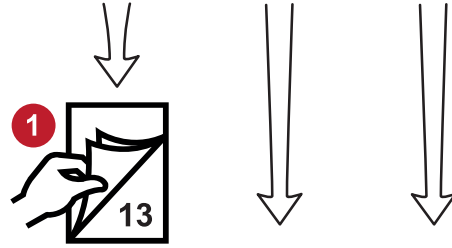


L	X
74	5.7
79	10.7
84	15.7
89	20.7
94	25.7

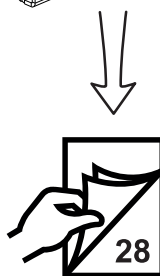
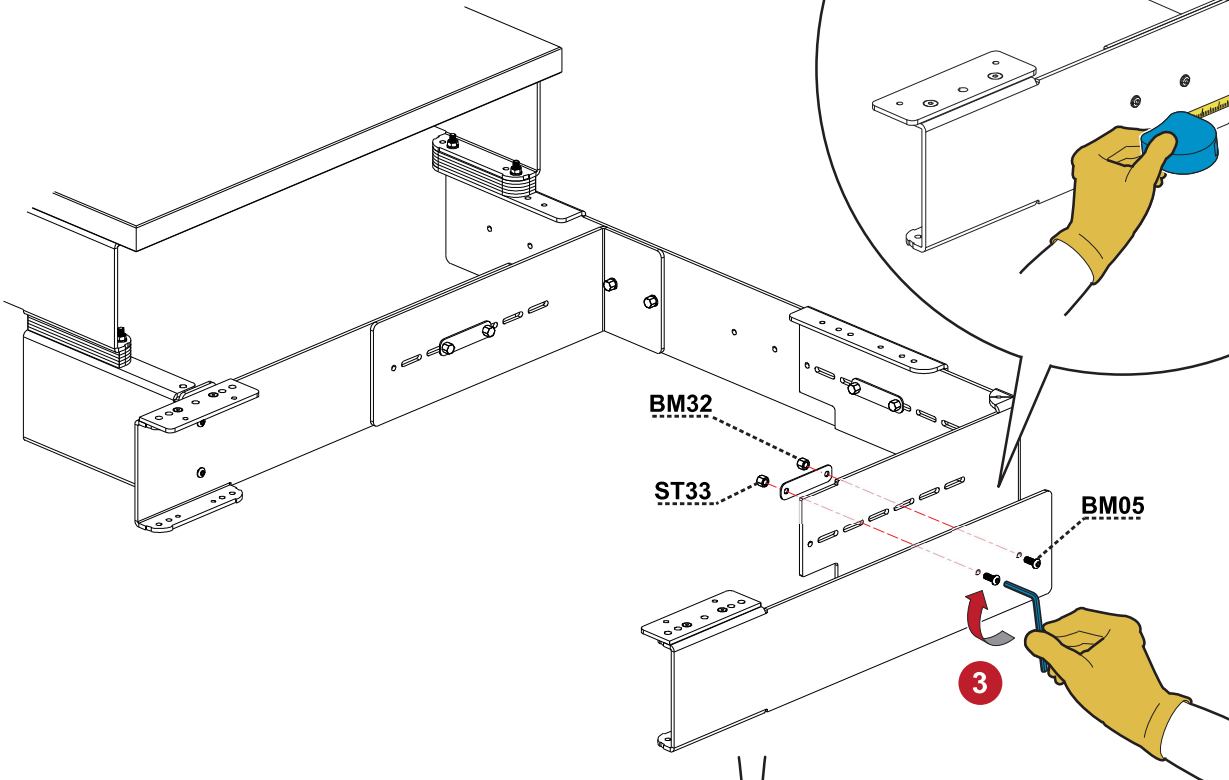
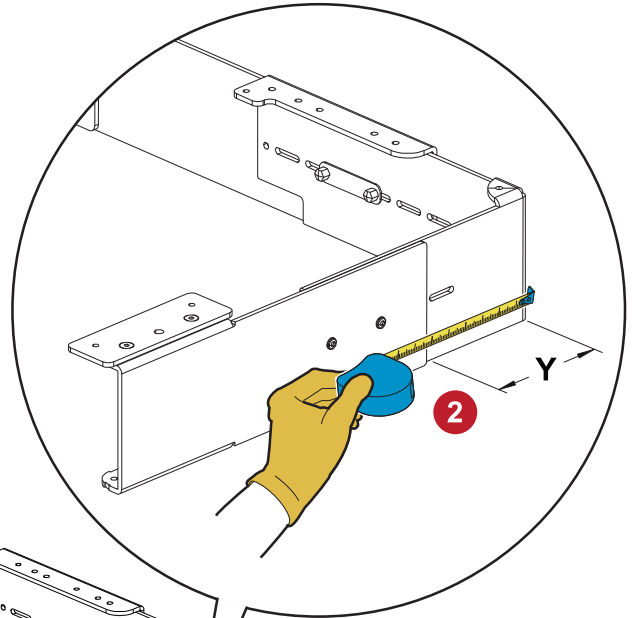


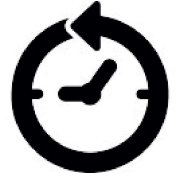


	P = 23	P = 25
L	Y	Y
74	5.1	7.1
79	10.1	12.1
84	15.1	17.1
89	20.1	22.1
94	25.1	27.1

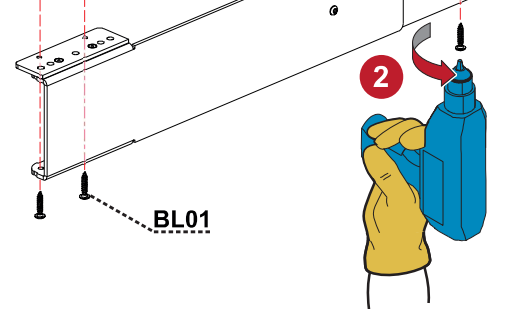
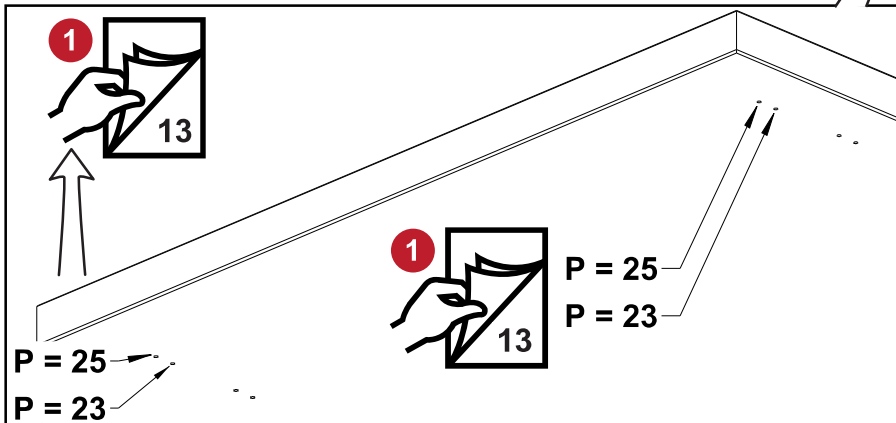
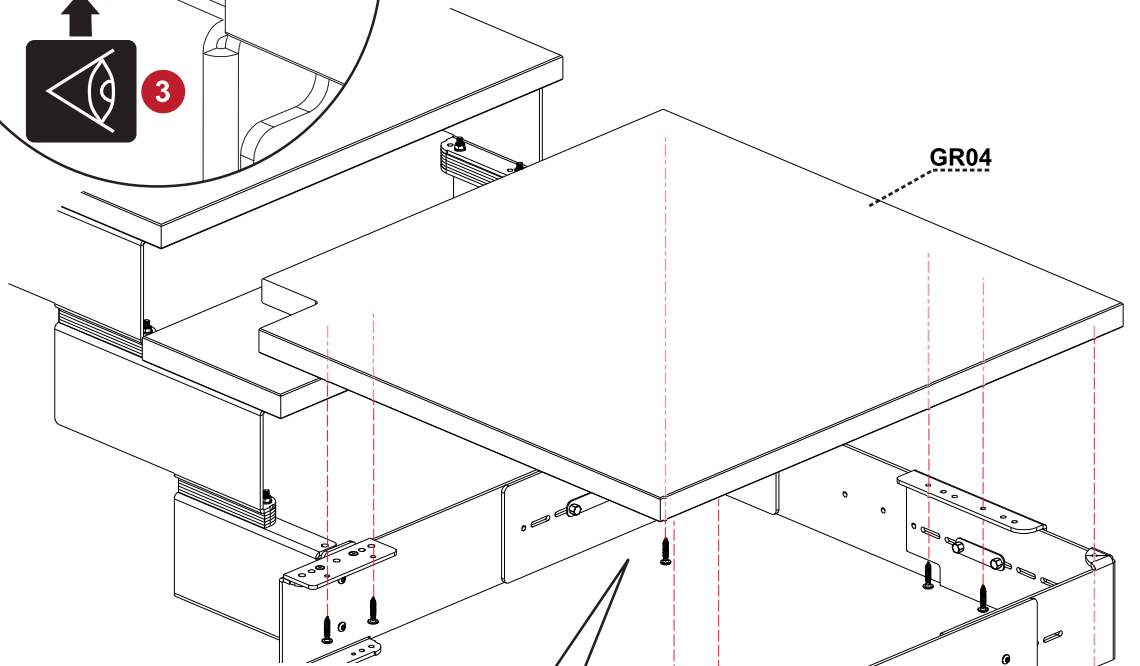
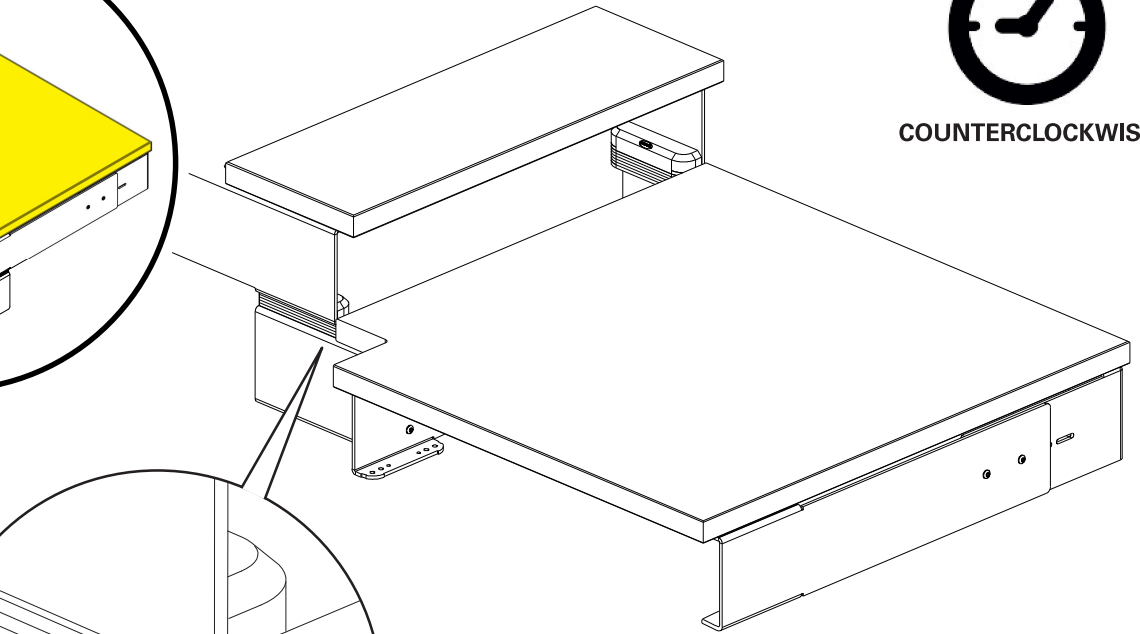
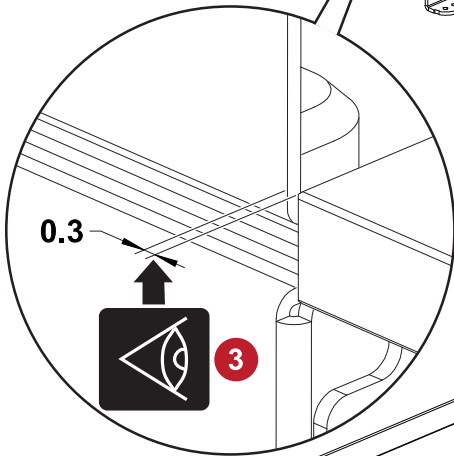
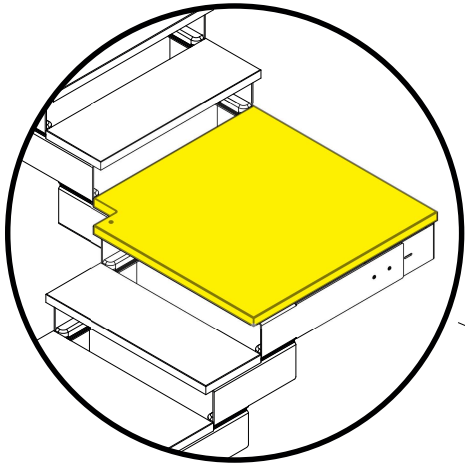


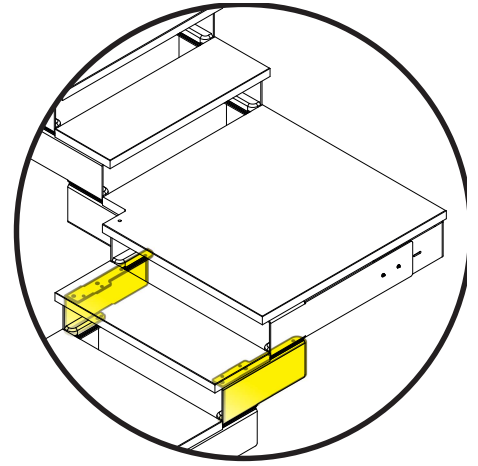
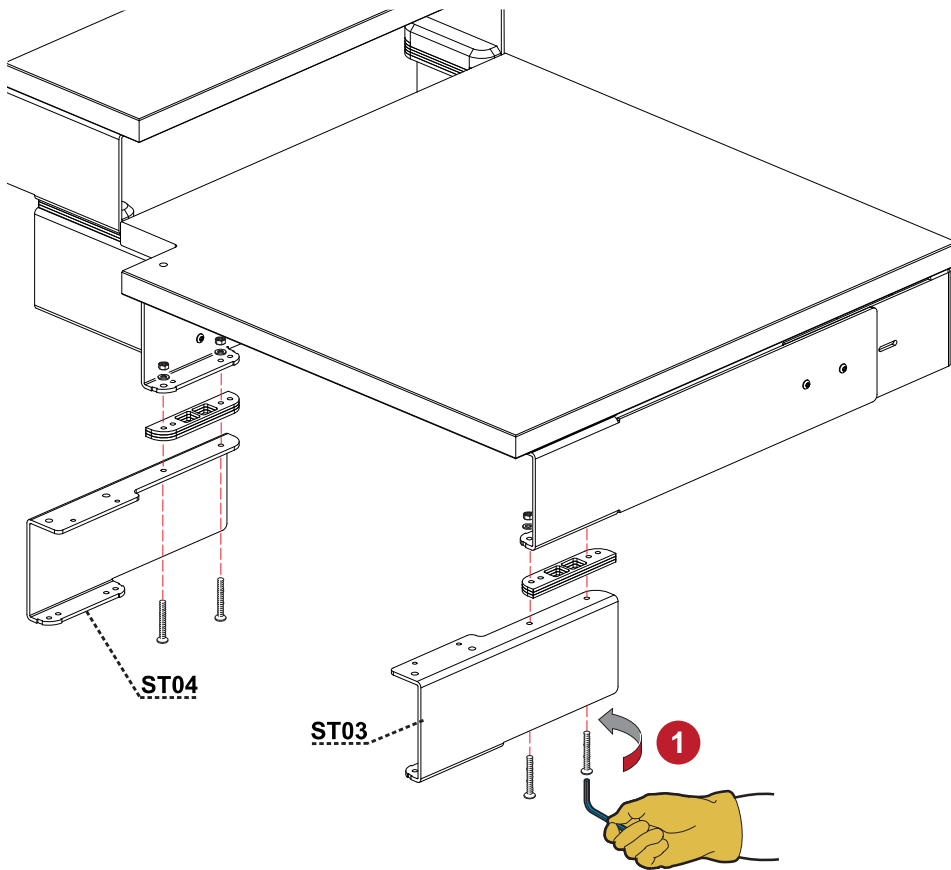
COUNTERCLOCKWISE



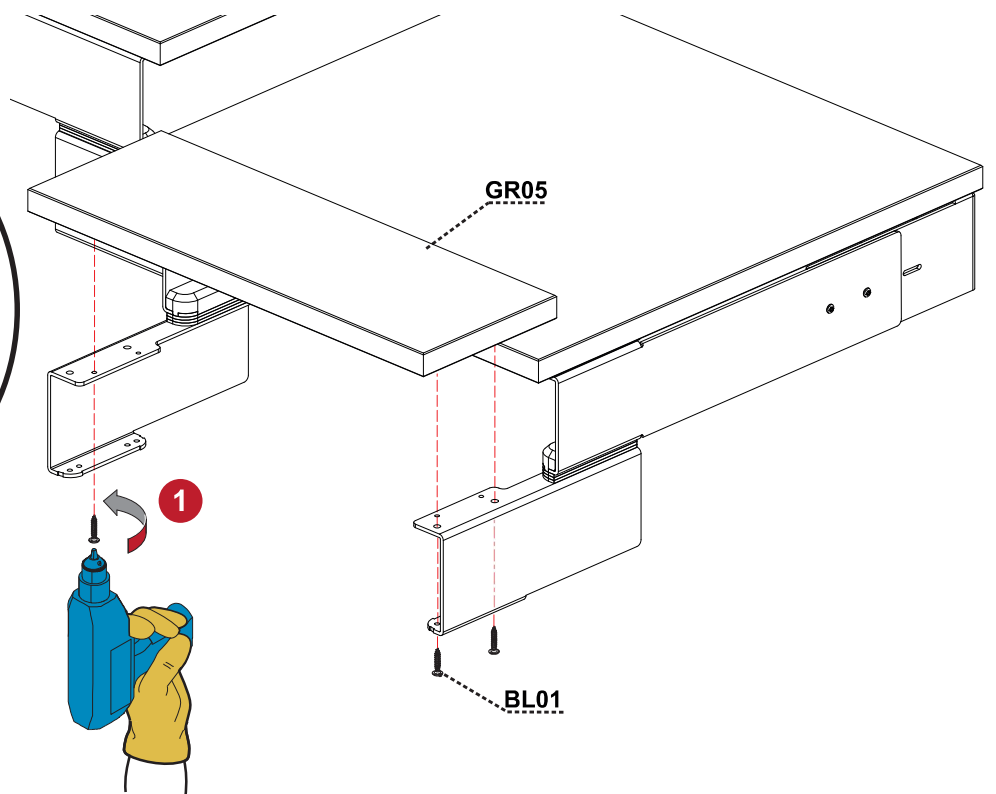
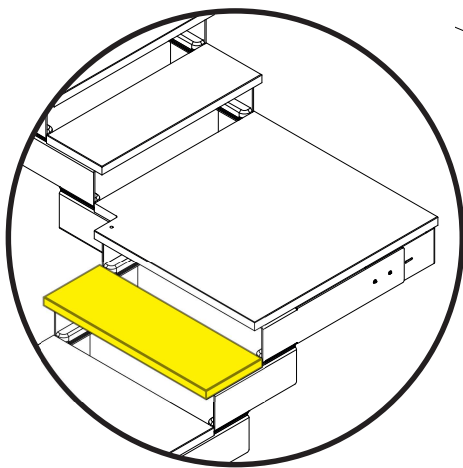


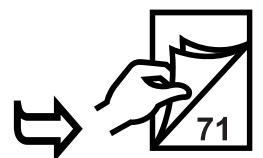
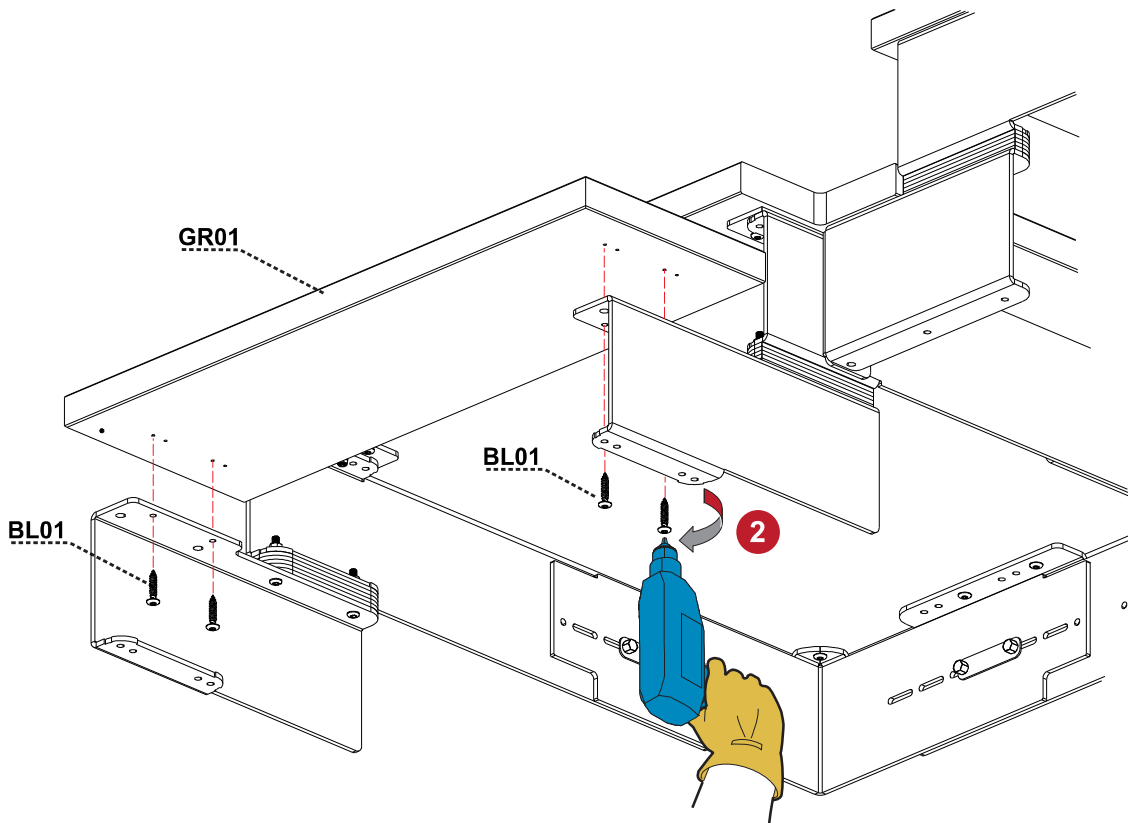
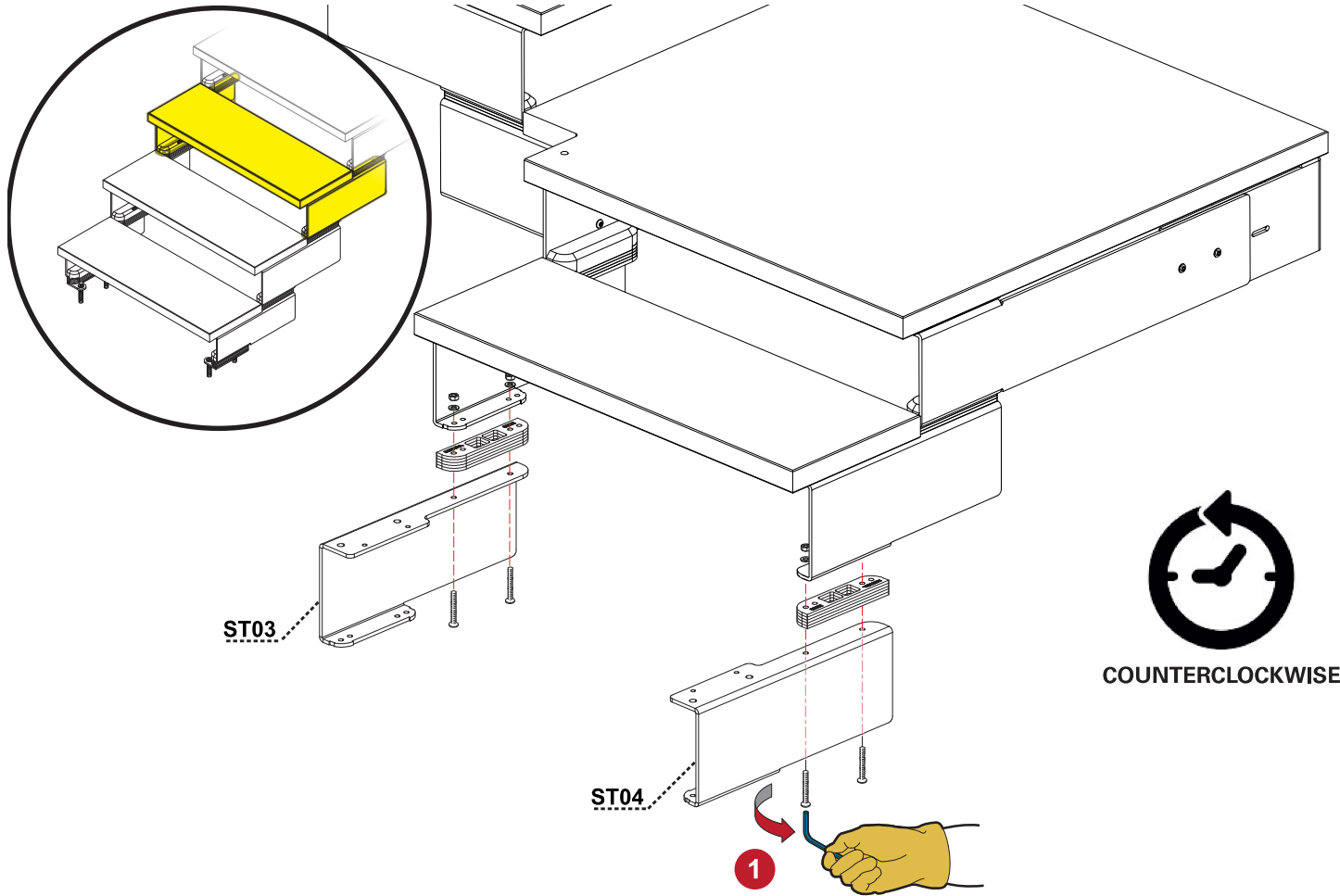
COUNTERCLOCKWISE

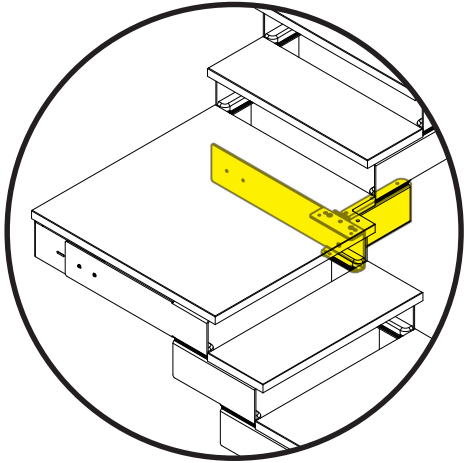




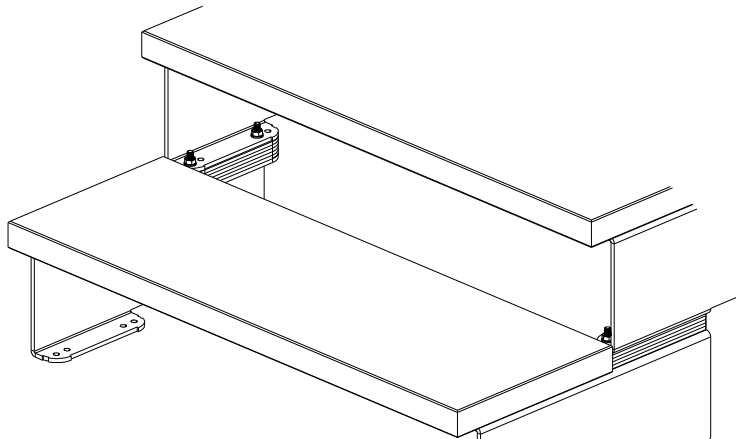
COUNTERCLOCKWISE



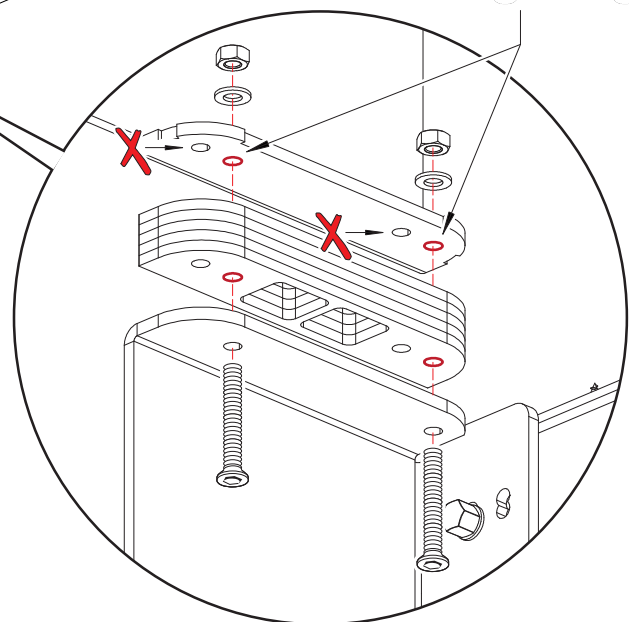
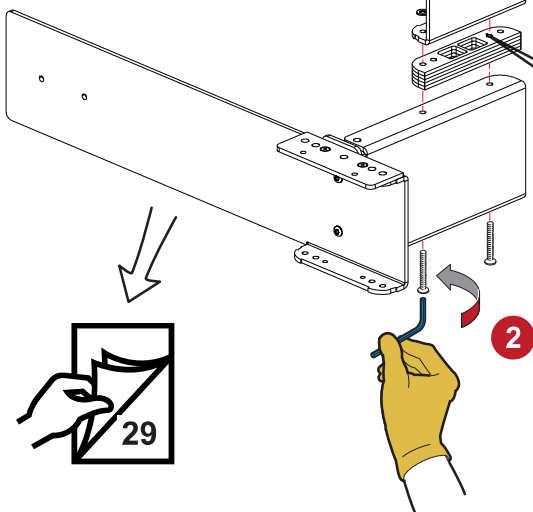


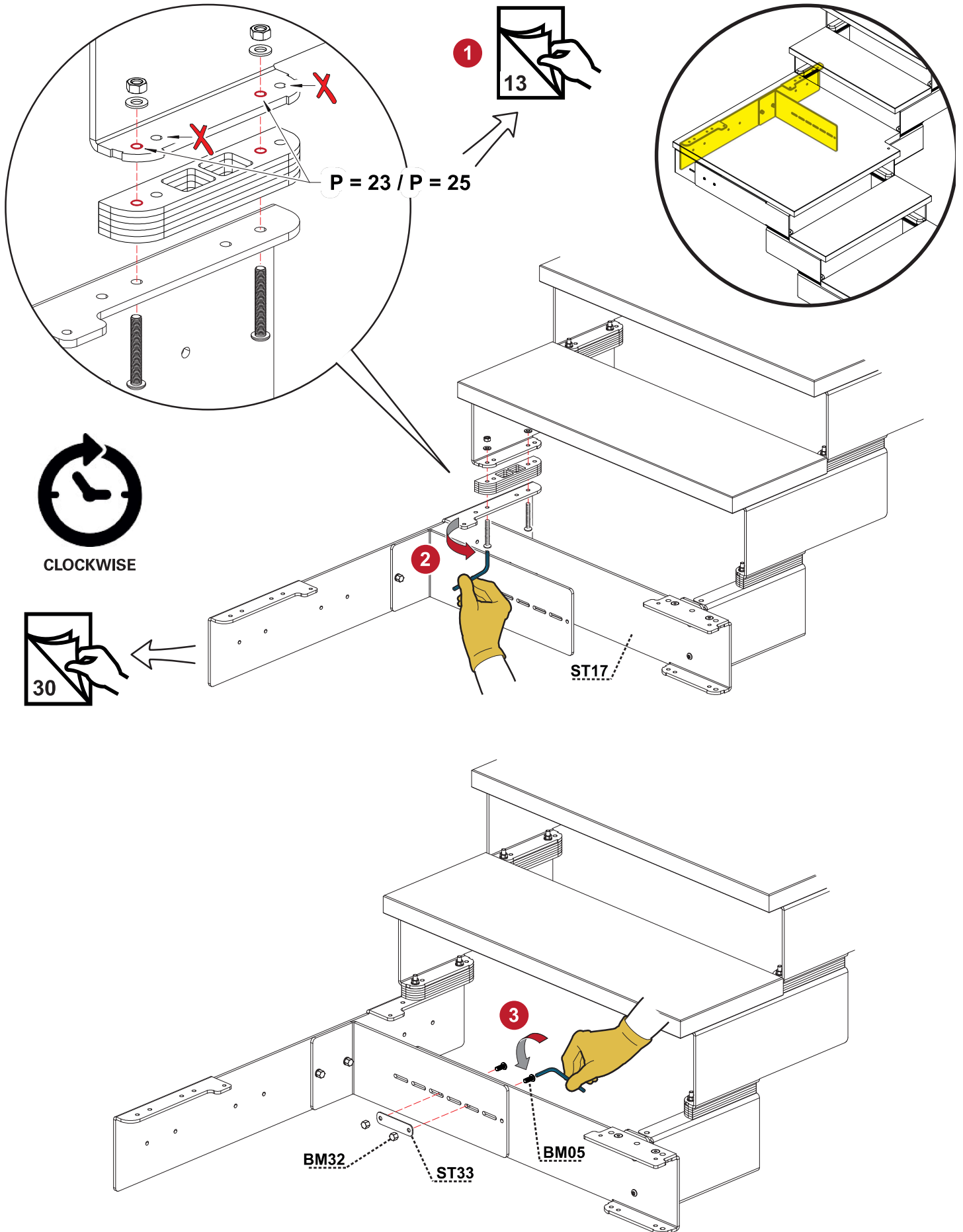


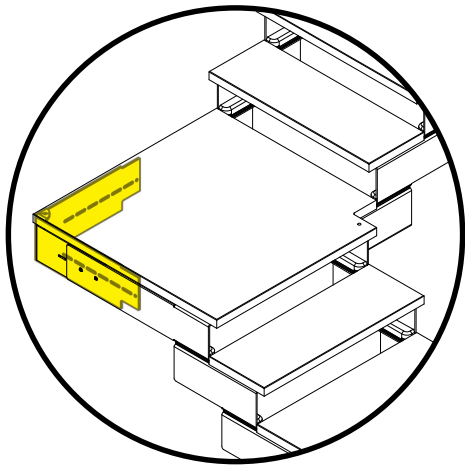
CLOCKWISE



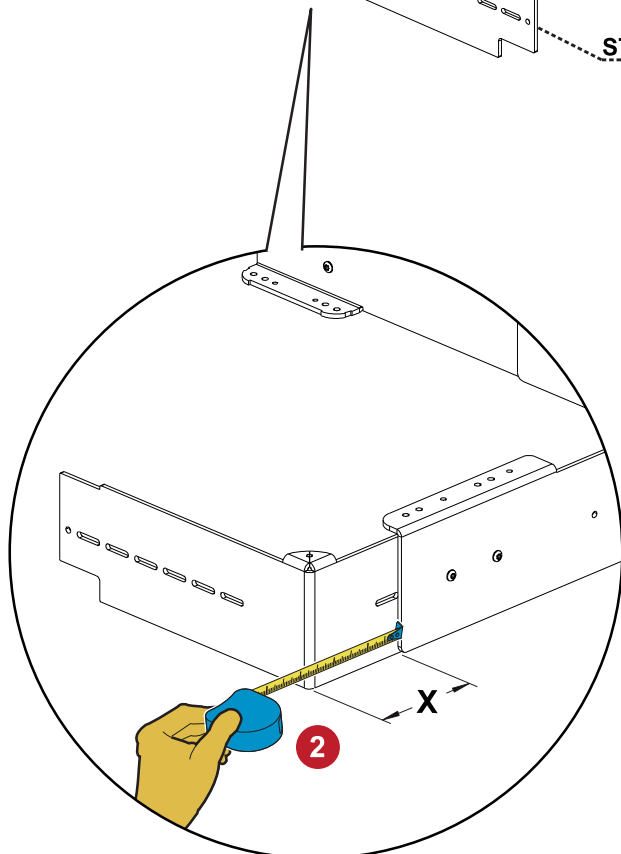
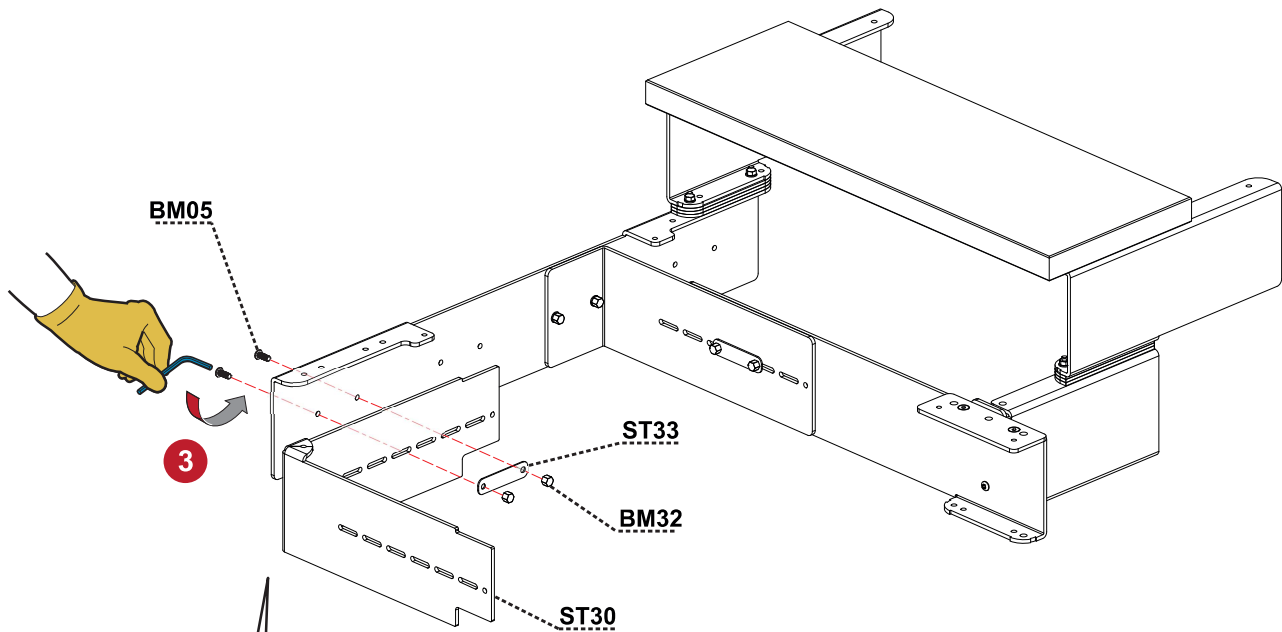
P = 23 / P = 25







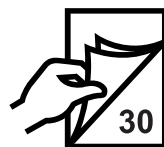
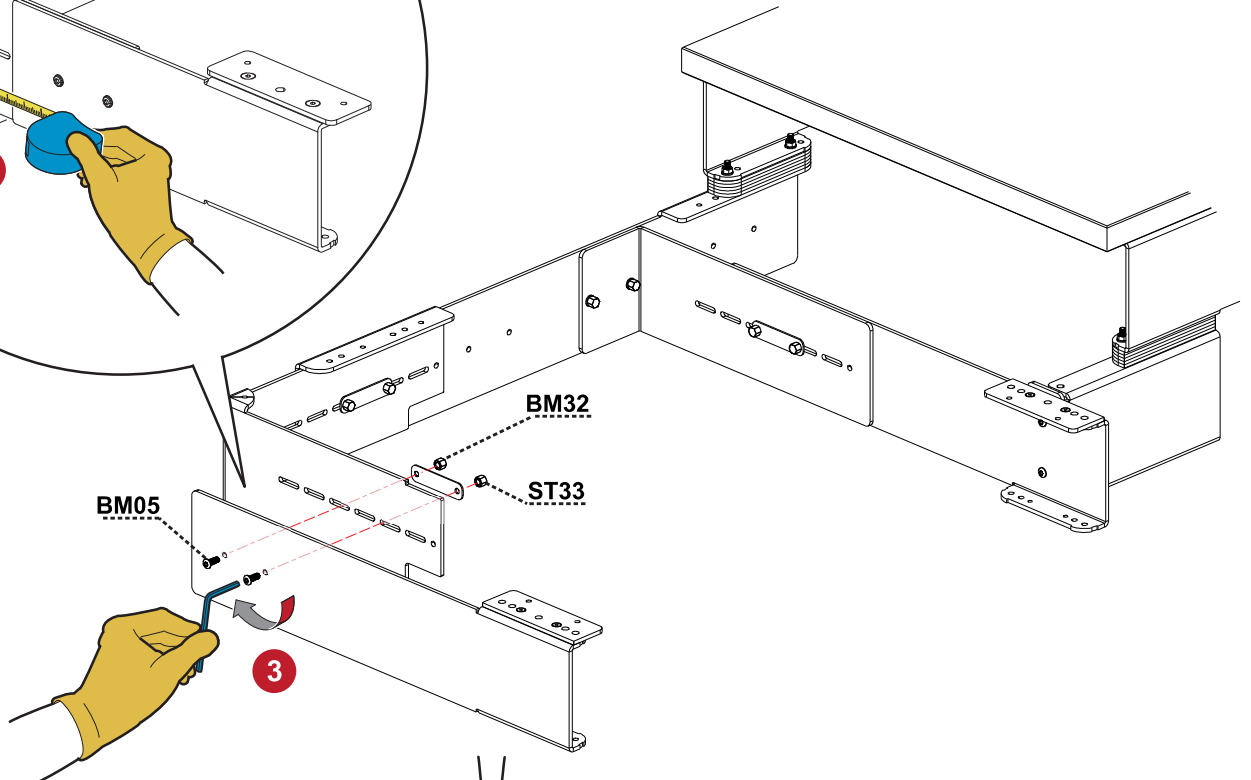
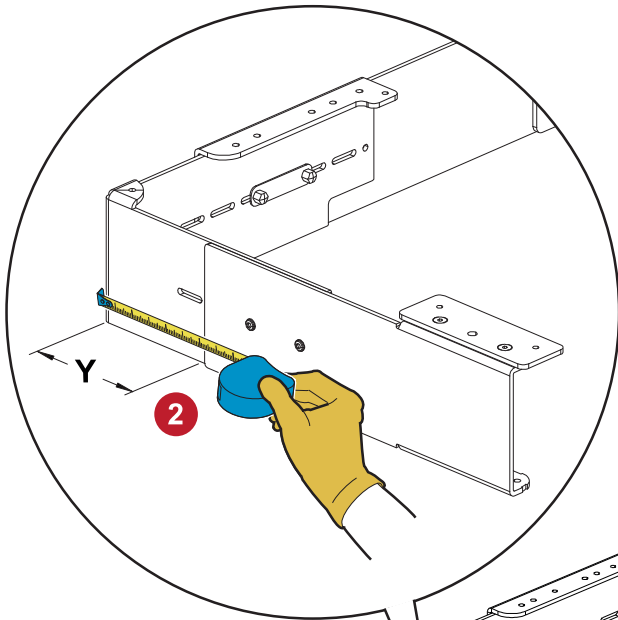
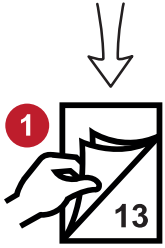
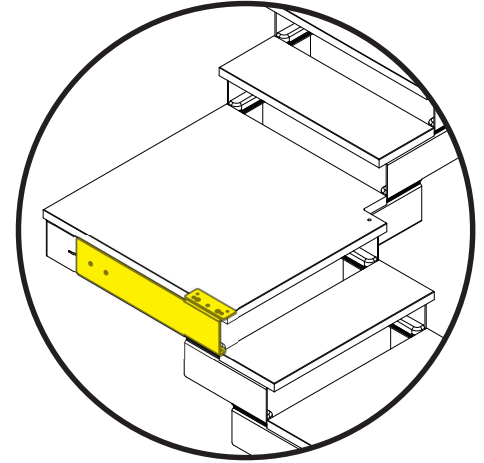
CLOCKWISE



L	X
74	5.7
79	10.7
84	15.7
89	20.7
94	25.7

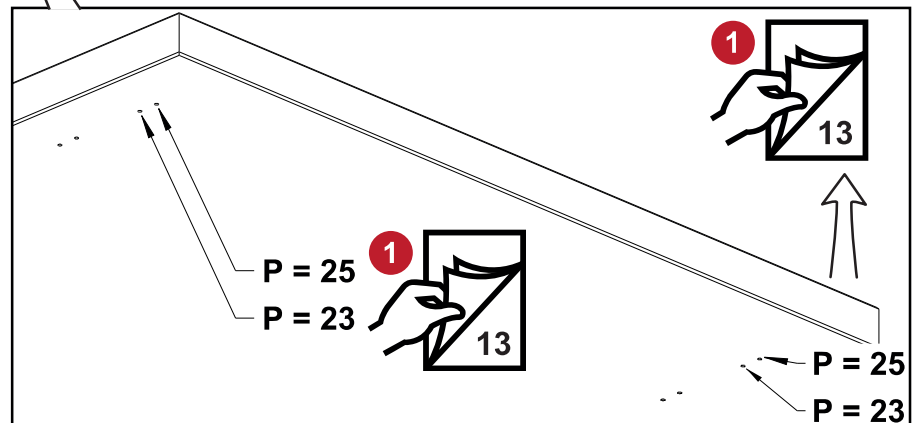
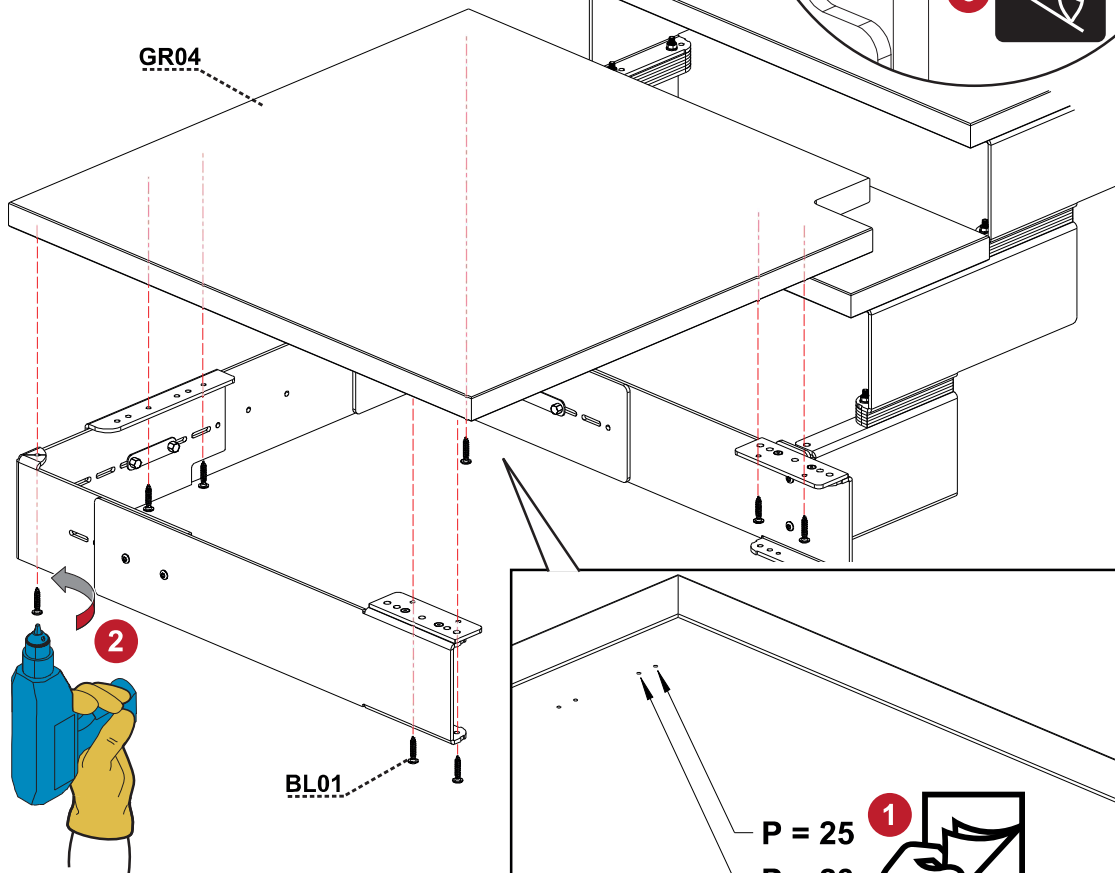
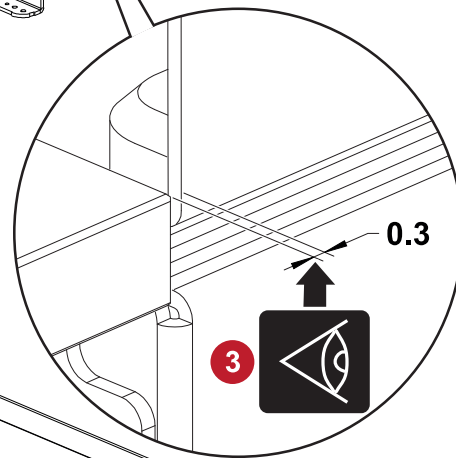
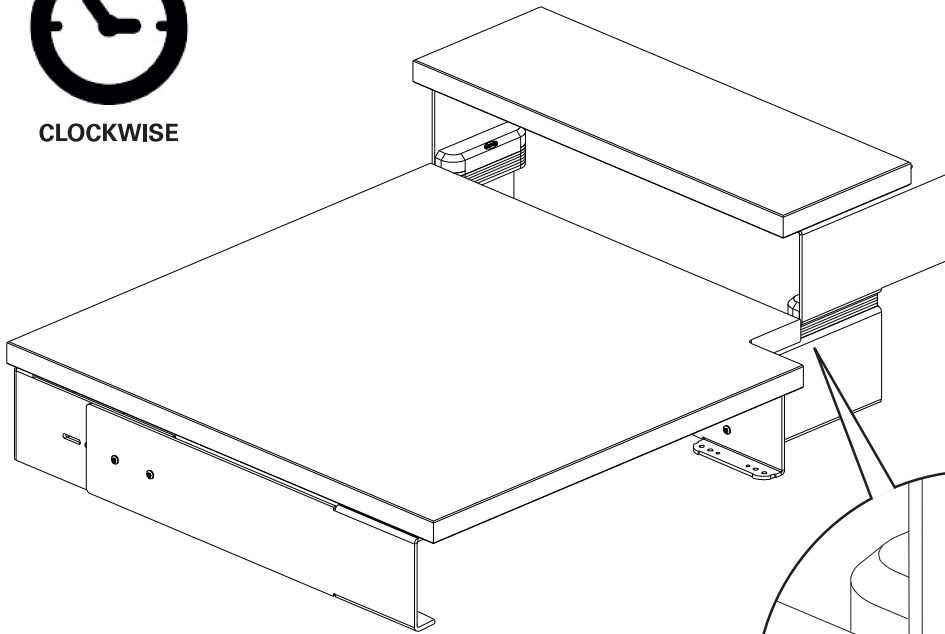
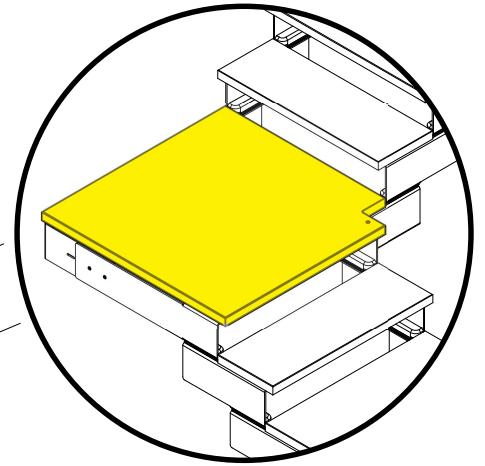


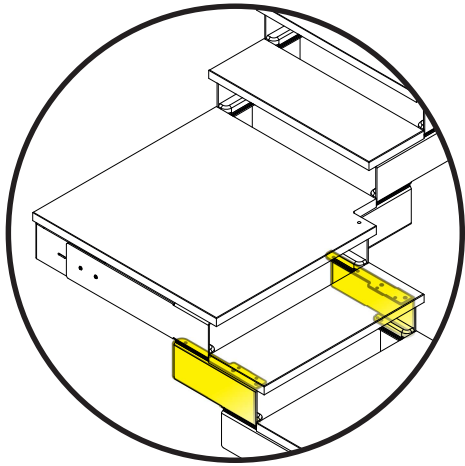
	P = 23	P = 25
L	Y	Y
74	5.1	7.1
79	10.1	12.1
84	15.1	17.1
89	20.1	22.1
94	25.1	27.1



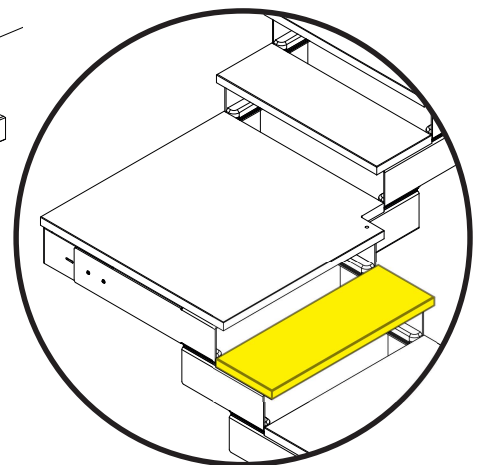
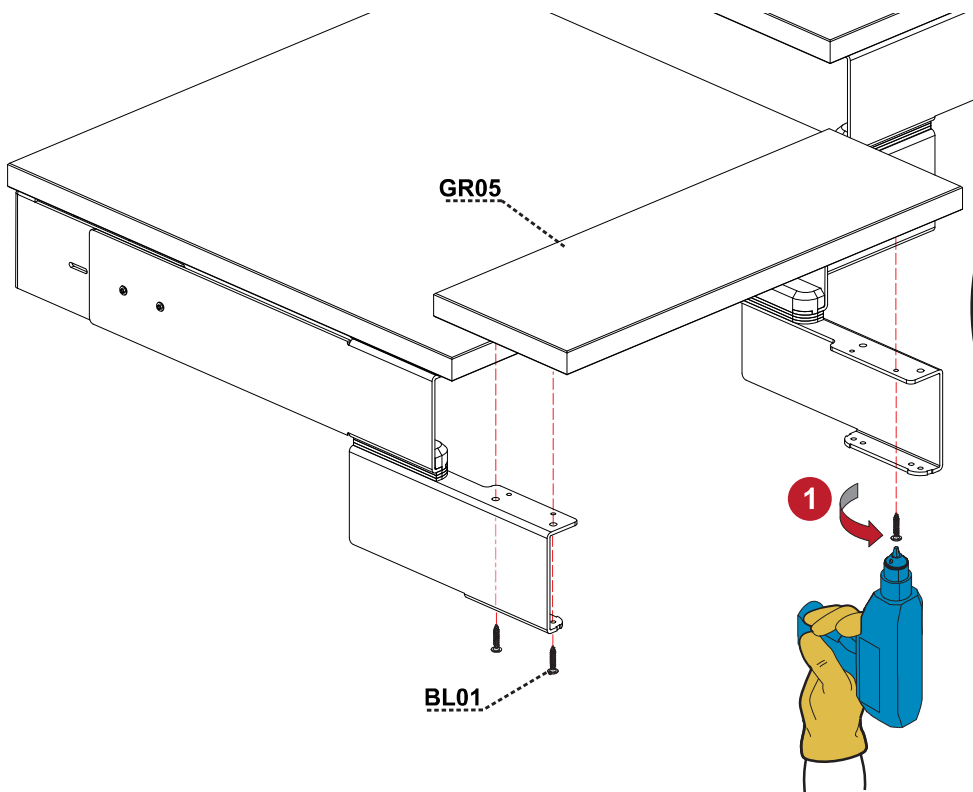
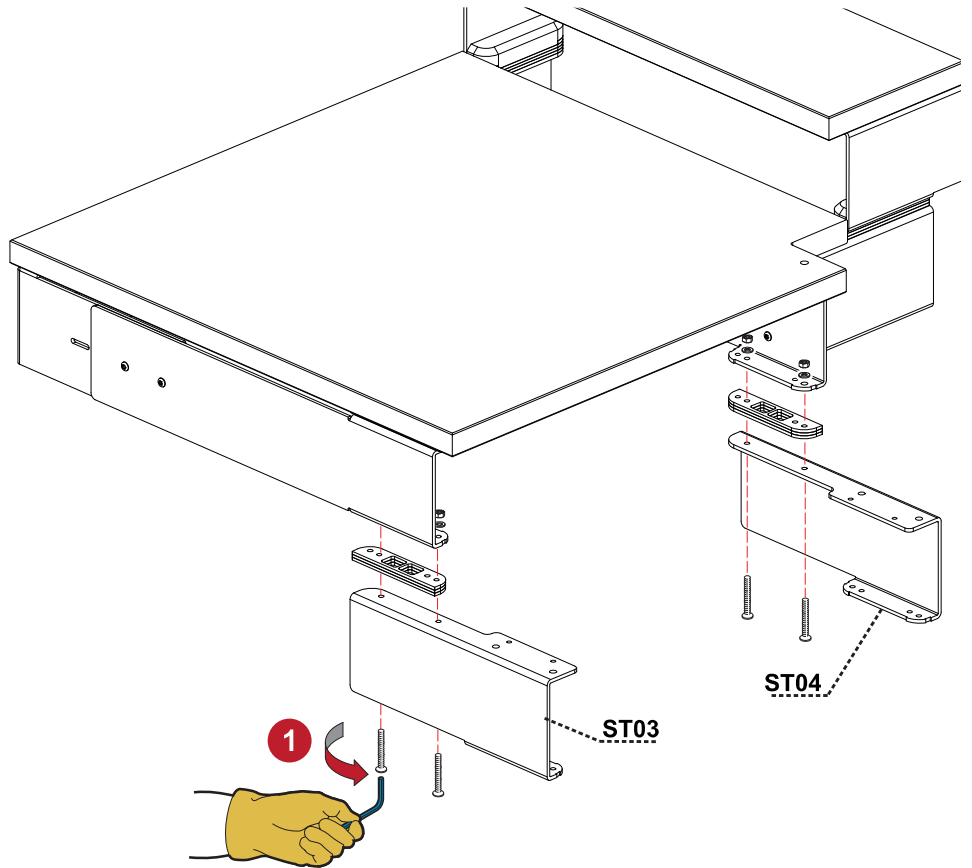


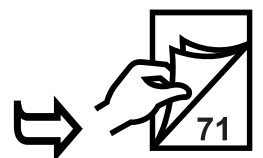
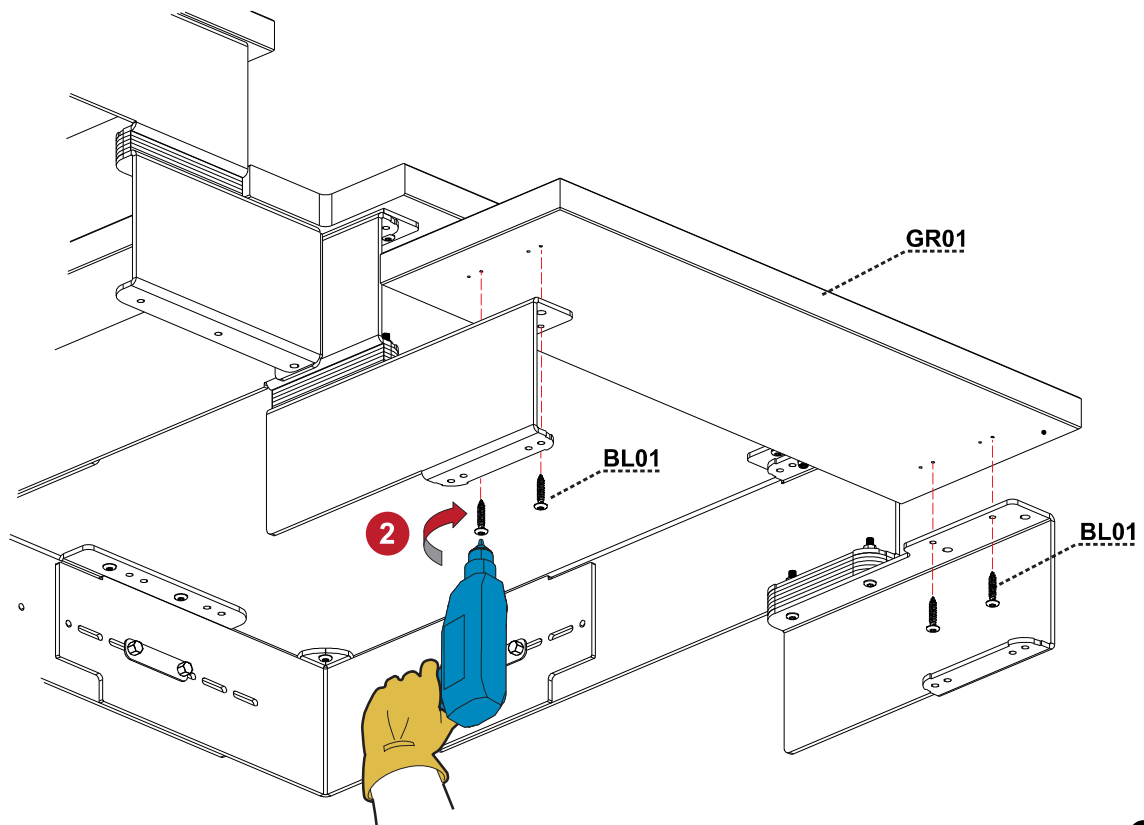
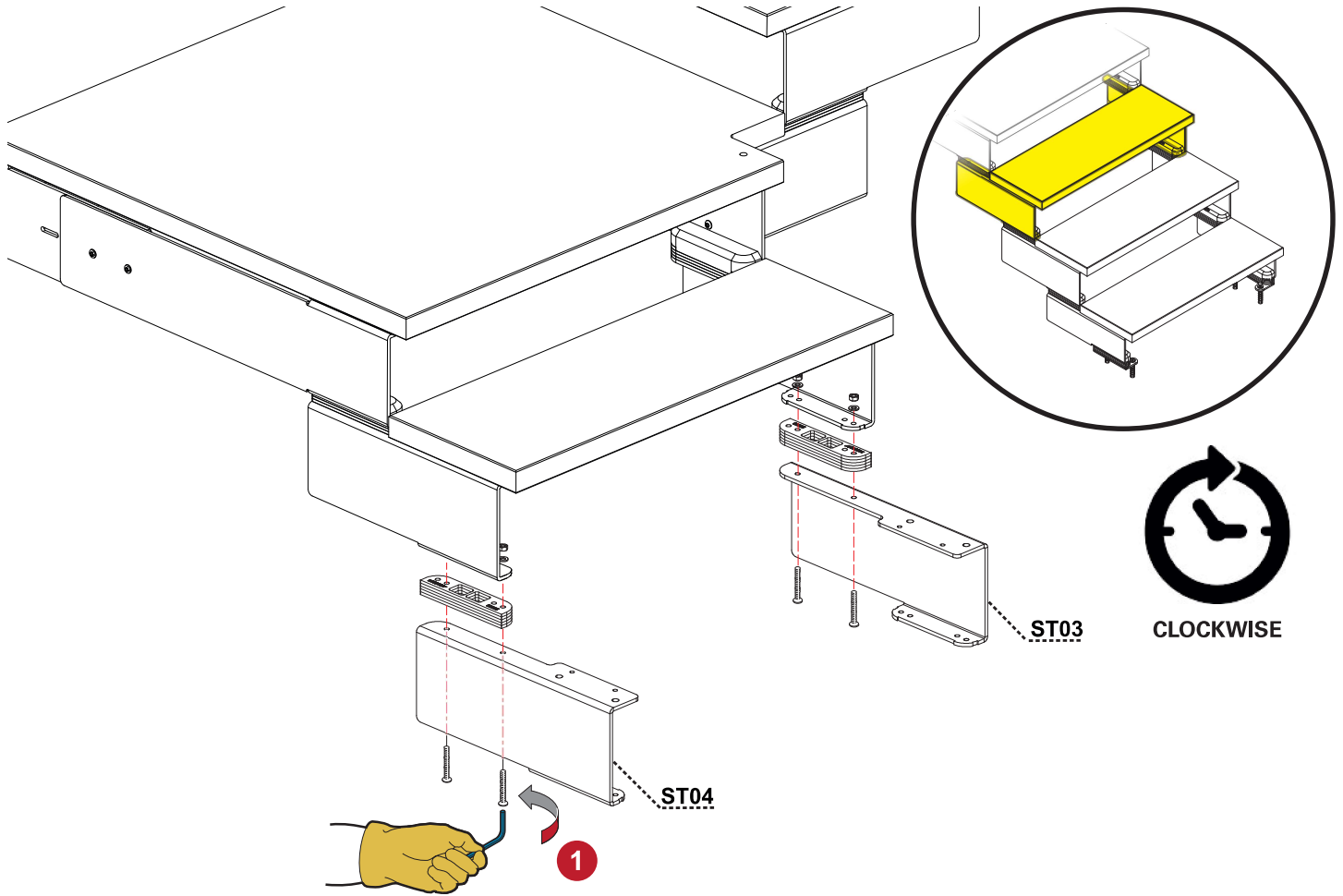
CLOCKWISE

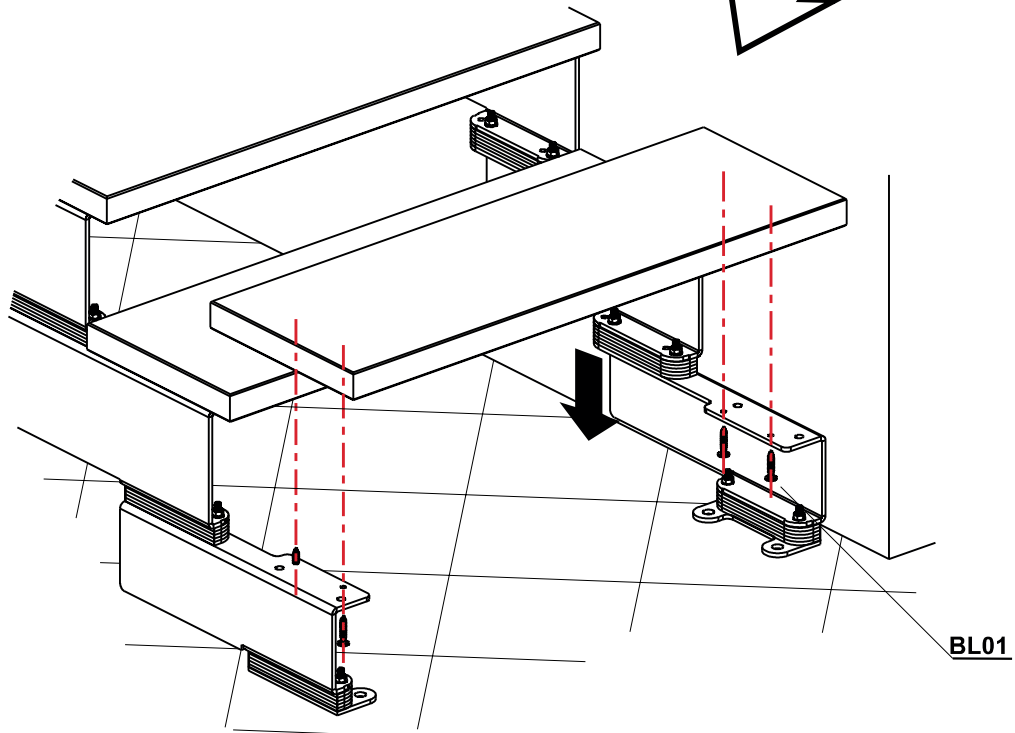
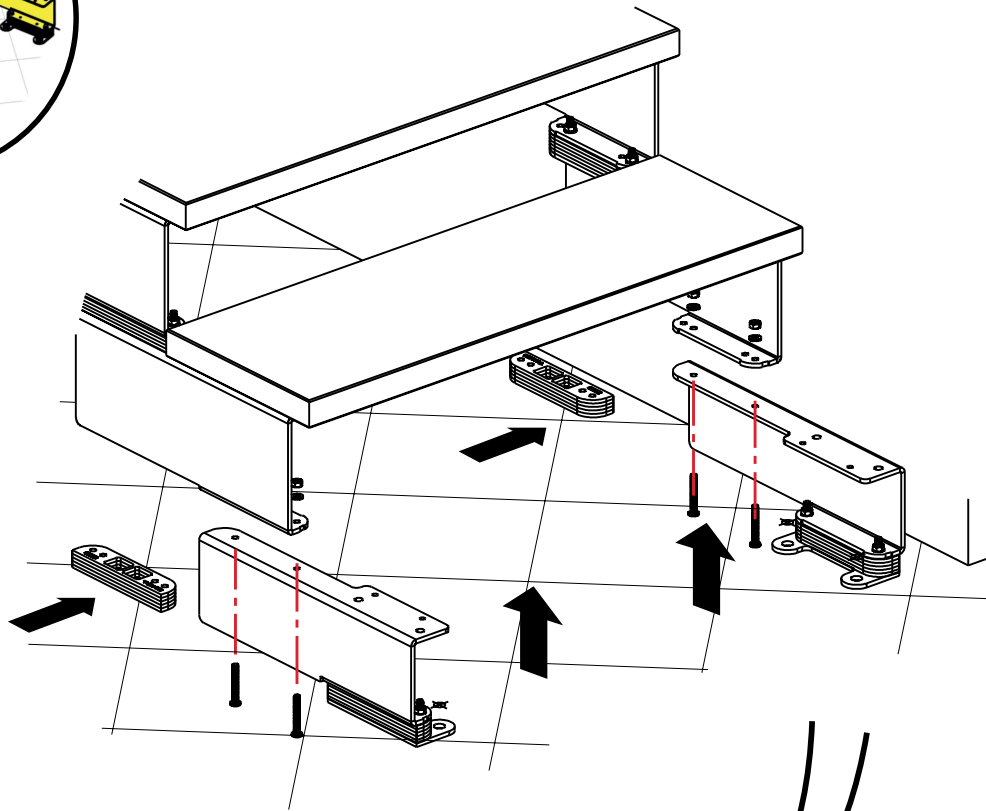
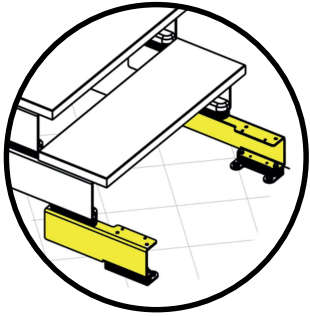


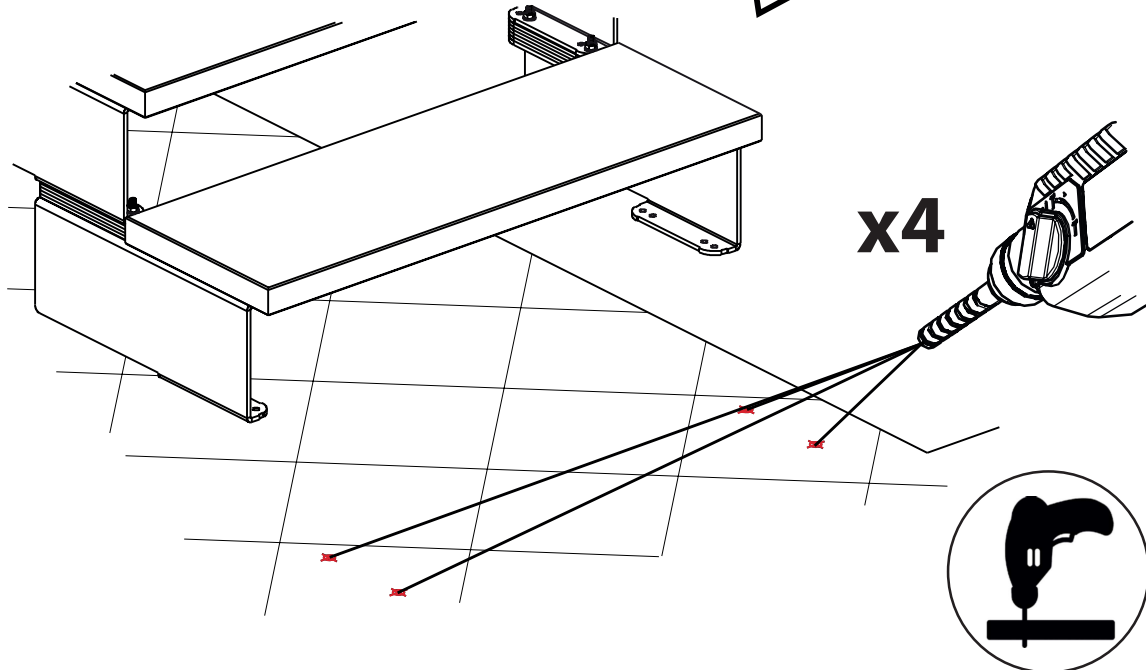
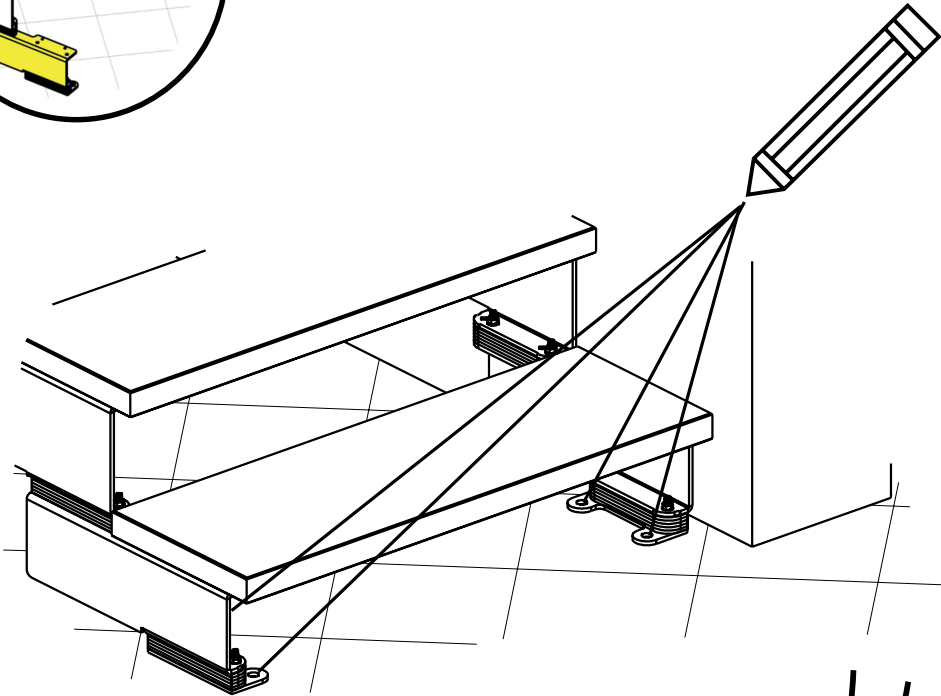
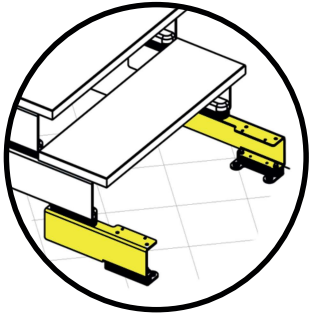


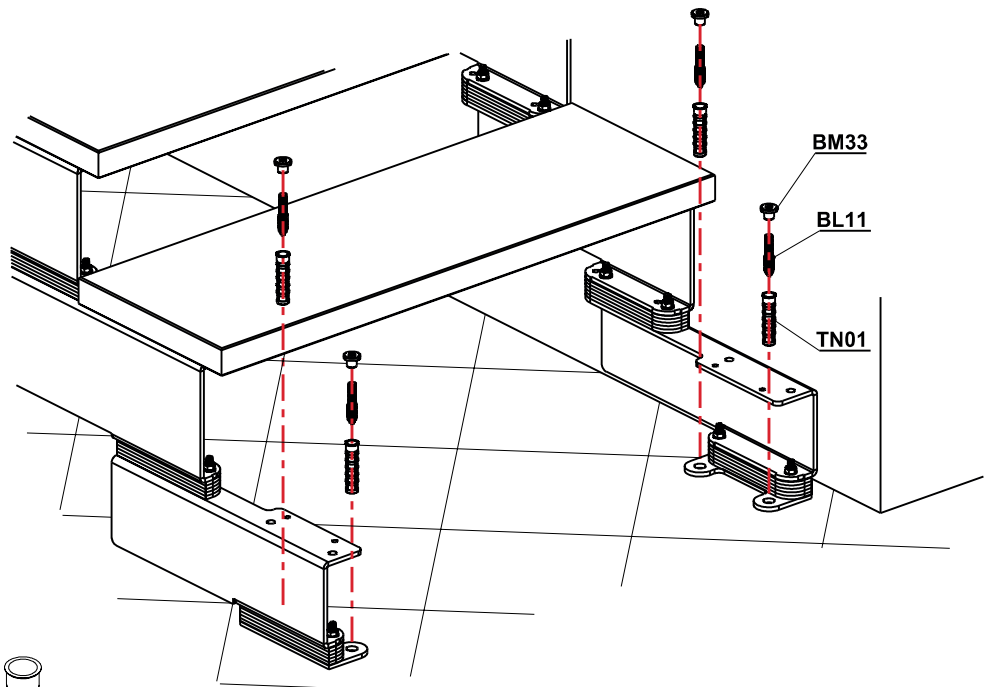
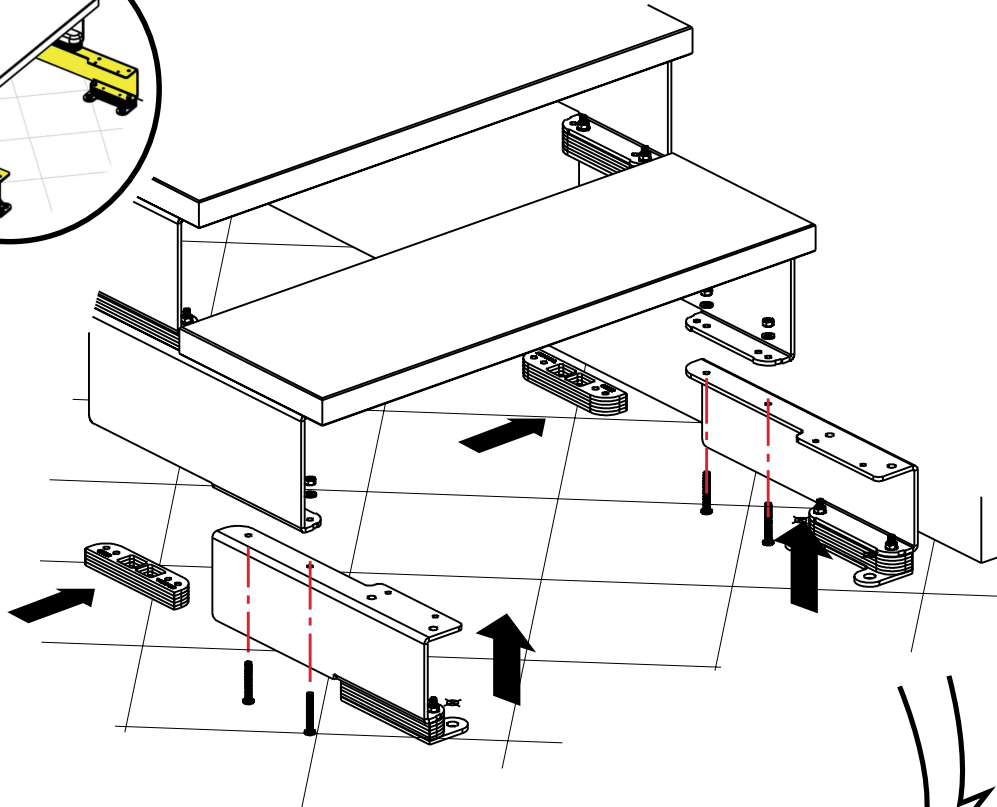
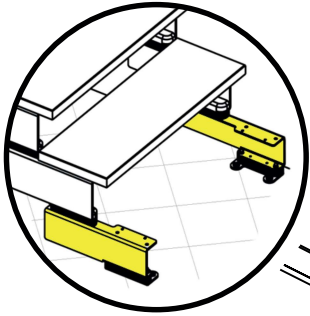
CLOCKWISE









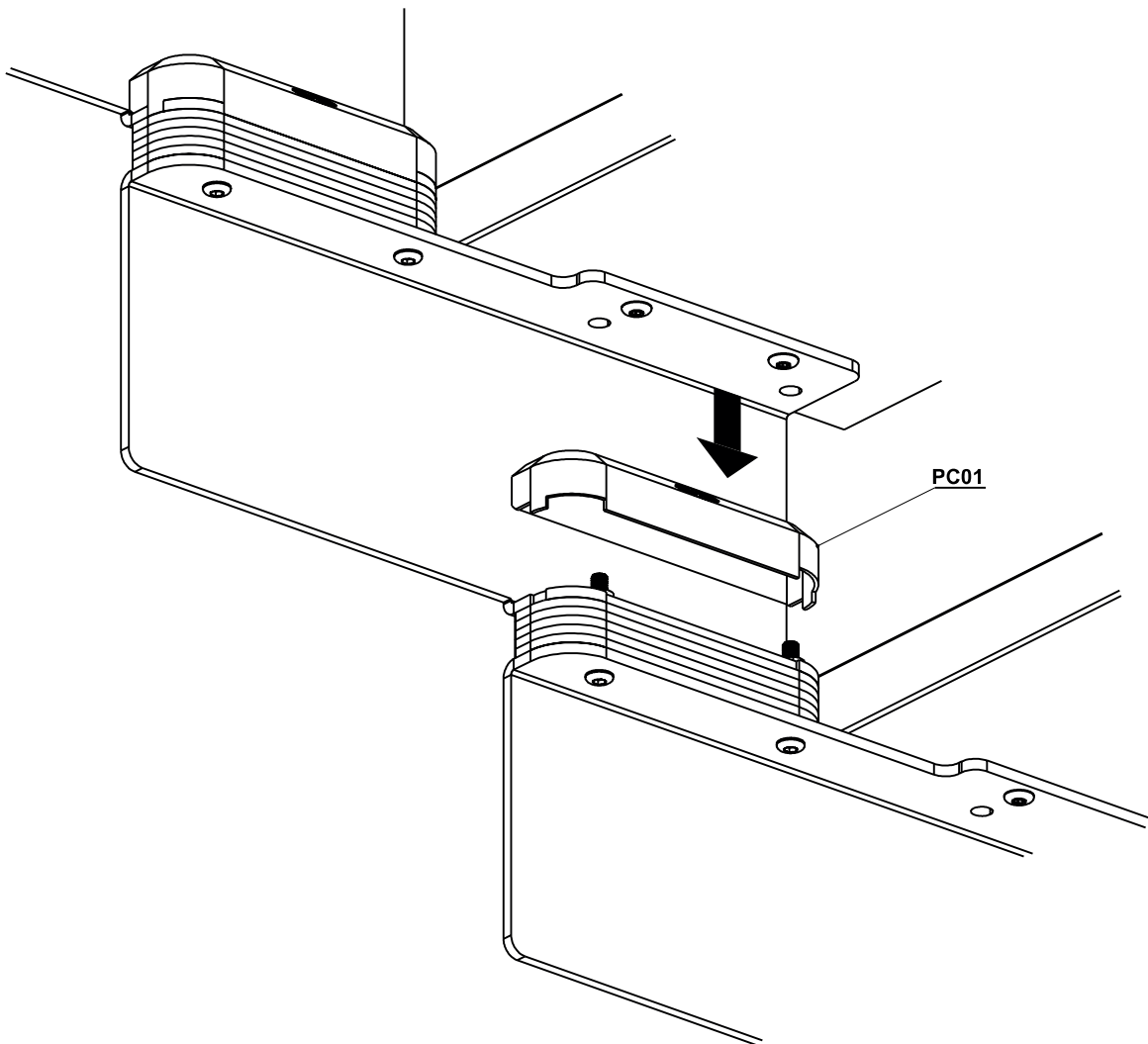
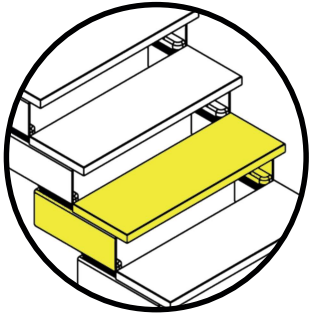


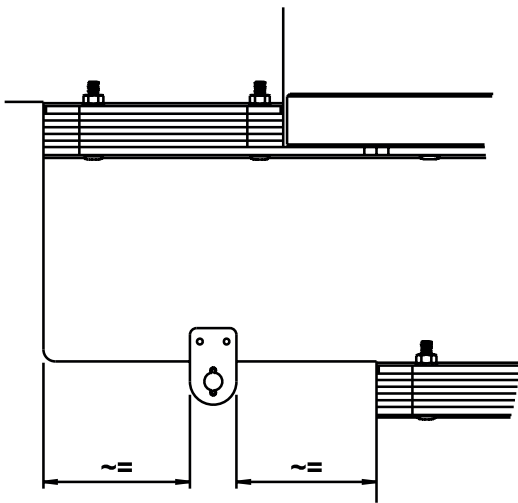
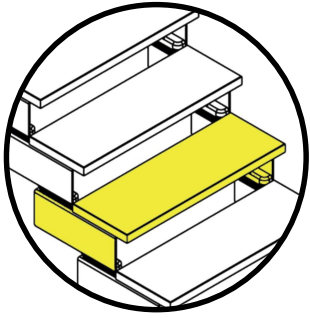
BL 11

BM 33

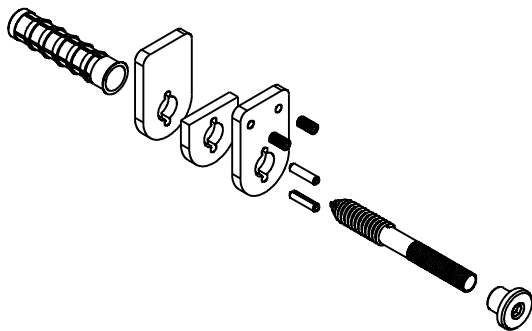
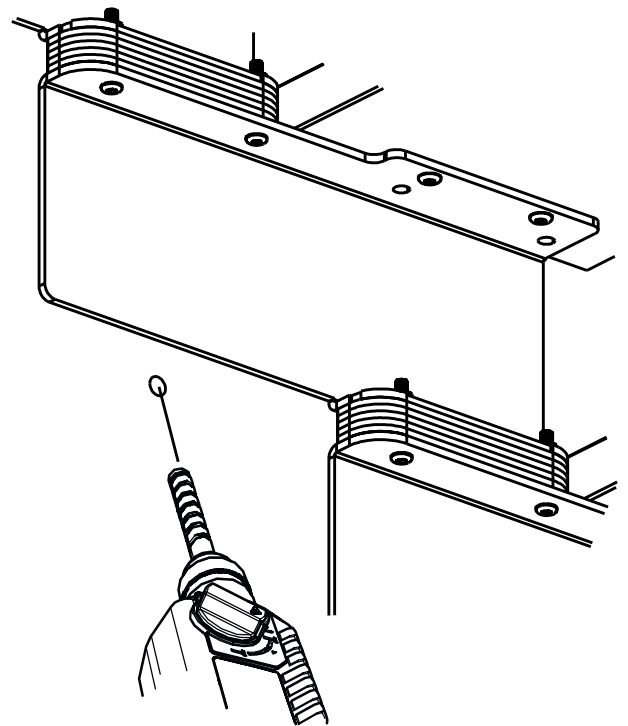
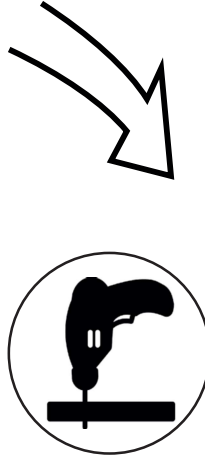
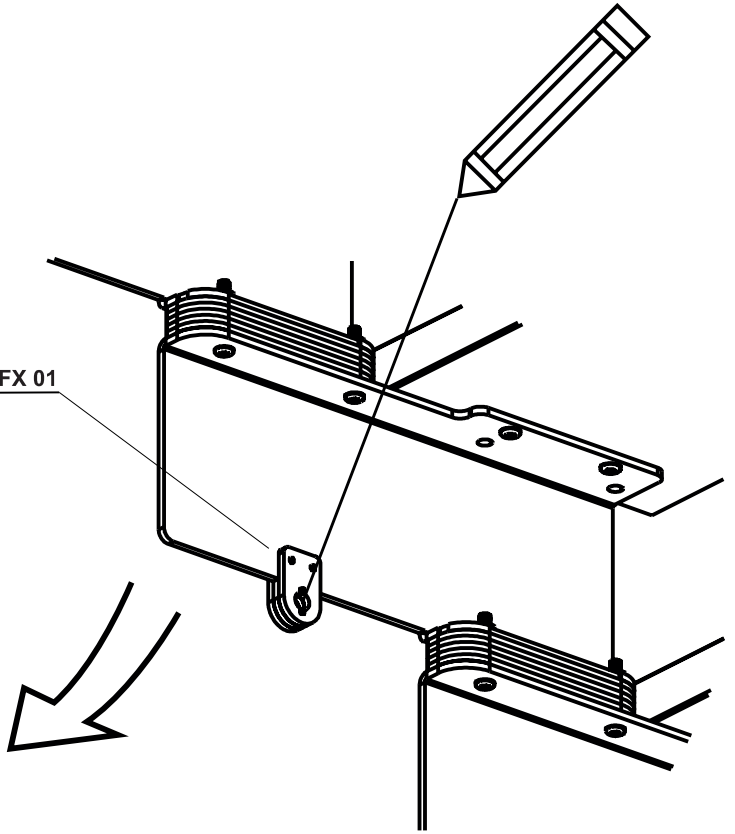
TN 01





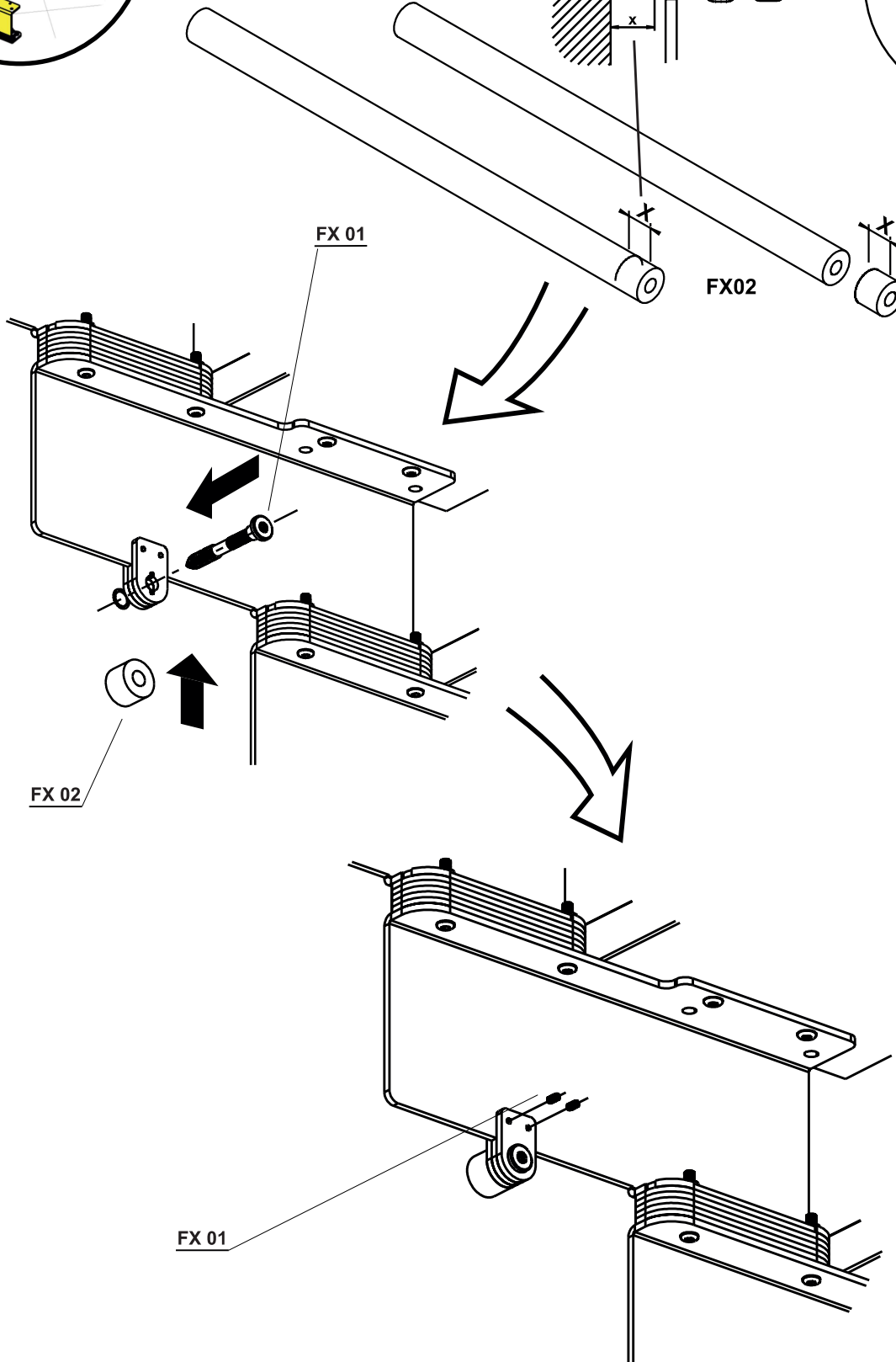
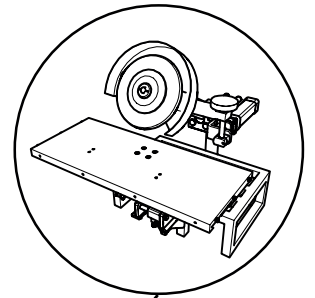
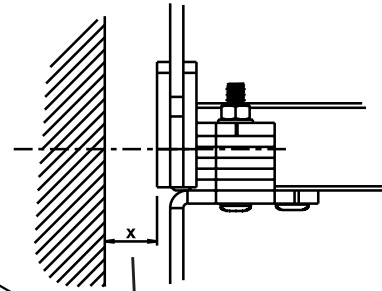
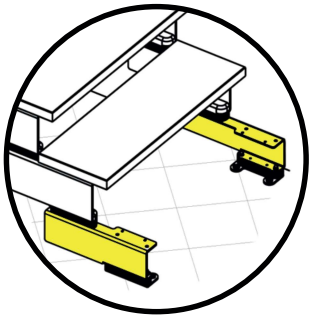



FX 01



FX 01





	Composity structure and steps installation manual. Configuration I - L	Code	Rev. 1	Date 29-07-2016
---	---	------	------------------	---------------------------





Stairs Studio srl

Via Giacomo Filippi, 7 47122 Forlì (FC)
Italy +39 0543 791111 - +39 0543 722544
www.rintal.com - info@rintal.it