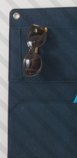
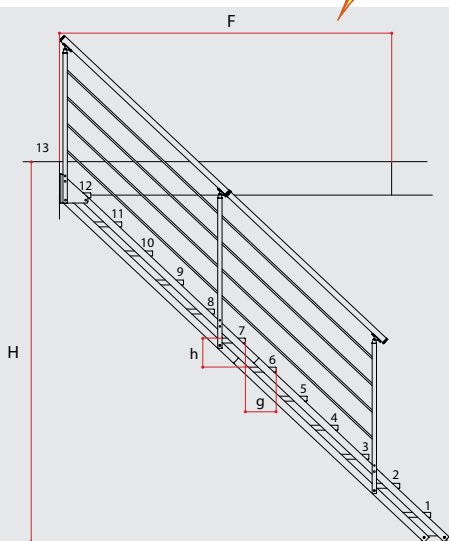
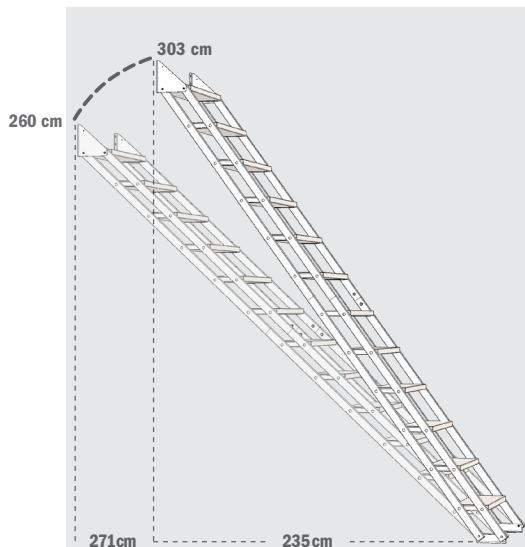




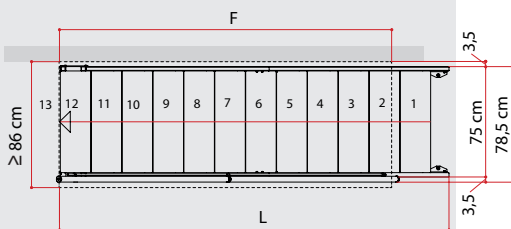
fontanot®  
scale di ogni tempo

pop f





H (cm)	F (cm) ≥	L (cm)	h (cm)	g (cm)
<b>303-296</b>	<b>187</b>	<b>235</b>	<b>23,3</b>	<b>17,6</b>
<b>295-289</b>	<b>199</b>	<b>243</b>	<b>22,78</b>	<b>18,3</b>
<b>288-282</b>	<b>210</b>	<b>250</b>	<b>22,23</b>	<b>18,9</b>
<b>281-275</b>	<b>222</b>	<b>257</b>	<b>21,68</b>	<b>19,6</b>
<b>274-268</b>	<b>233</b>	<b>264</b>	<b>21,14</b>	<b>20,1</b>
<b>267-260</b>	<b>245</b>	<b>271</b>	<b>20,59</b>	<b>20,7</b>



PDF APRILE 2018

Fontanot S.p.A.  
Registered  
and administrative office

via P Paolo Pasolini, 6  
47853 Cerasolo Ausa  
Rimini, Italy

tel. +39.0541.90.61.11  
fax +39.0541.90.61.24  
info@fontanot.it  
www.fontanot.it

Design: Fontanot Research Centre

Fontanot S.p.A. Company System  
CSQ ISO-9001 certified



**fontanot**  
scale di ogni tempo